

Group Gear Limited

Antler Buildings, Bromsgrove Road,
Halesowen, West Midlands, B63 3HJ.

T 0121 503 0666

E sales@groupgear.co.uk

W www.groupgear.co.uk



USB 3 to HDMI Adapter A Male to HDMI Female

Brand: Connekt Gear

Code: 26-2984

Box Qty: 250



Why do you need it?

You need to connect your USB source to your display device that features a HDMI socket allowing you to use your older equipment with high quality modern equipment with ease.

What does it do?

This adapter plugs into your USB source creating a HDMI port allowing you to connect your HDMI display via a HDMI male to male cable. This cable focuses on giving you the most vibrant images possible.

Product Details

- Full HD display 1920 x 1080 pixels resolution @60Hz
- Hot plug detection no need to re-boot your PC
- NOTE: Only works from a USB source to a HDMI display (does not support audio)
- Lifetime warranty

- Barcode: 5035624048065

- Connector 1: Type A Male
- Connector 2: HDMI Type A Female
- Gold plated contacts
- Nickel connectors
- Cable length: 240mm
- Colour: Black
- Barcode: 5035624048065

Packaging Specifications

- Packaging Type: Bag
- Packaging Dimensions: 100 x 225mm
- Packaging Material:
- Packaging Weight: 0.0035Kg
- Product & Packaging Weight: 0.1035Kg
- Carton Dimensions: 350 x 260 x 240mm
- Carton Net Weight: 0.4Kg
- Carton Gross Weight: 6Kg
- Country of Origin: PR China
- Commodity Code: 8544429090

Whats In The Box

- 1 x USB 3 to HDMI Adapter A Male to HDMI Female

Product Information

- Barcode: 5035624048065
- Commodity Code: 8544429090
- Product Weight: 0.10



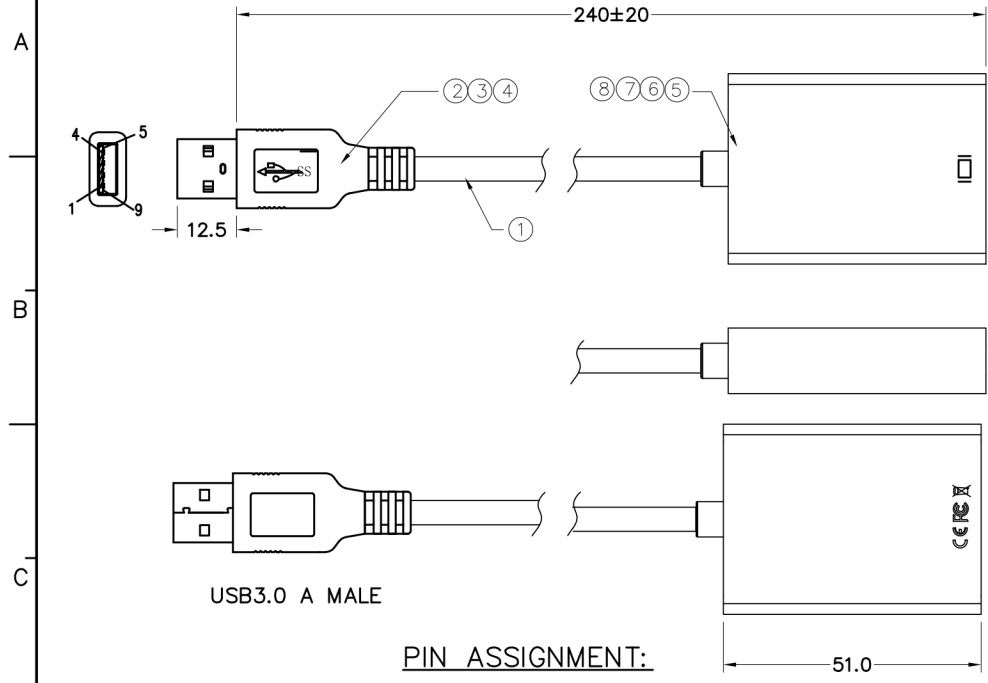
Registered in England No.: 7822851

VAT Registration.: 133 0307 66

RoHS compliant

Customer P/N: 26-29XX

REV.	ZONE	LTR	DESCRIPTION	DATE	REVISER	APPD.



HDMI FEMALE

Technical Specification:

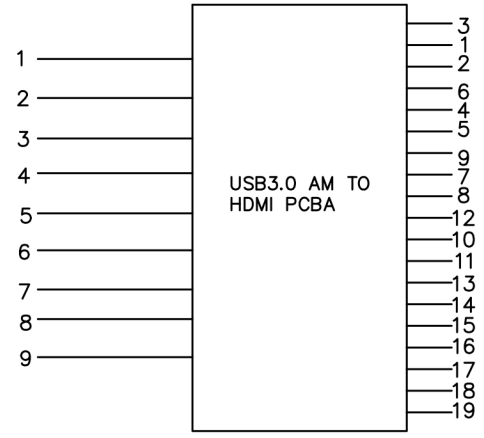
- 1、Connector 1: USB3.0 A Male
- 2、Connector 2: HDMI Female
- 3、Housing: AL Shell
- 4、Colour: Black
- 5、100% by PC and monitor test
- 6、RoHS Compliant

USB3.0 A MALE

PIN ASSIGNMENT:

USB3.0 PLUG (SOURCE)

HDMI FEMALE (SINK)



8	Shell	Aluminium, Black	
7	SR	PVC, Black	
6	PCBA	USB3.0 AM TO HDMI PCBA	
5	CONNECTOR 2	HDMI FEMALE Conn. Nickel Plated Shell Black Insulator	
4	OVER MOLD	PVC, Black	
3	INNER MOLD	PVC, Black	
2	CONNECTOR 1	USB3.0 A MALE CONNECTOR, Nickel Pated Shell	
1	CABLE	CABLE,OD: 5.0mm,BLACK	
NO.	PART NAME	SPEC DESCRIPTION	REMAKE

NAME: CUSTOMER DRAWING			UNIT: MM	SCALE: 1:1	TITLE: USB3.0 A Male to HDMI Female short cable
GENERAL TOLERANCE (UNLESS SPECIFIED)		DESIGNER:	2020.9.6	CHECKED:	
.0 0 0 ± 0.15 .0 0 ± 0.25 .0 ± 0.35 ± 0.5 ANGLE ± 1'		APPROVED:	2020.9.8	PART NO.:	
SIZE: A4	THIS DRAWING CONTAINS INFORMATION SHOULD NOT BE USED WITHOUT WRITTEN PERMISSION			DRAWING NO.:	SHEET: 1/1 REV.: 0.1