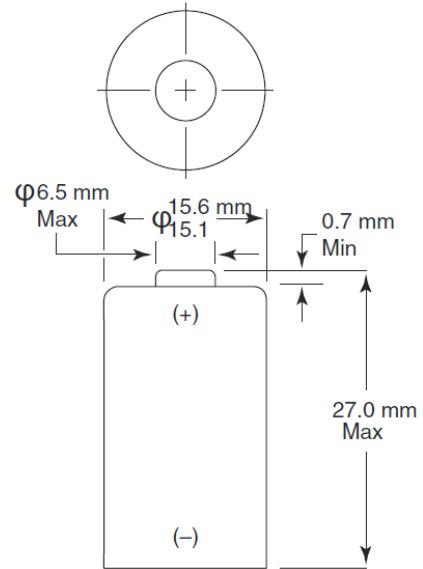


LITHIUM/MANGANESE DIOXIDE BATTERY



Size: CR2



KEY FEATURES

- Industry Highest Cell Capacity & High Energy
- High voltage response, stable during most of the lifetime of the application
- Reliable Performance
- Wide operating temperature range (-20°C/ + 75°C)
- Low self-discharge with long operating life (<1% after 1 year of storage at + 20 °C)
- Excellent resistance to corrosion
- Designed to meet all major quality, safety, and environment standards:
 - Safety: IEC 60086-4
 - Transport: UN 38.3
 - RoHS and REACH compliance
 - Quality: ISO 9001, Duracell World Class Continuous Program

TYPICAL APPLICATIONS

- Security Devices (sensors, cameras)
- Smoke Detectors
- Wireless Sensors
- Remote Control
- High Intensity Flashlights
- Laser Sights

PROCELL®

PROFESSIONAL BATTERIES

Procell Professional batteries

Berkshire Corporate Park

Phone: 1-800-544-5454 (Toll-free)

www.procell.com

ELECTRICAL CHARACTERISTICS

▪ Nominal capacity (100 Ohm Cont, 2 V cut-off)	920 mAh
▪ Typical Voltage (at +20°C)	3.2-3.3 V
▪ Standard Continuous Discharge Current	20 mA
▪ Maximum Continuous Discharge Current	60 mA
▪ Maximum Abnormal Charge Current	20 mA
▪ Nominal Energy	2.55 Wh
▪ AC Impedance @ 1kHz	500 mOhm

PHYSICAL CHARACTERISTICS

▪ Typical weight	11.0g (0.39 oz.)
▪ Li metal content	approx. 0.30 g

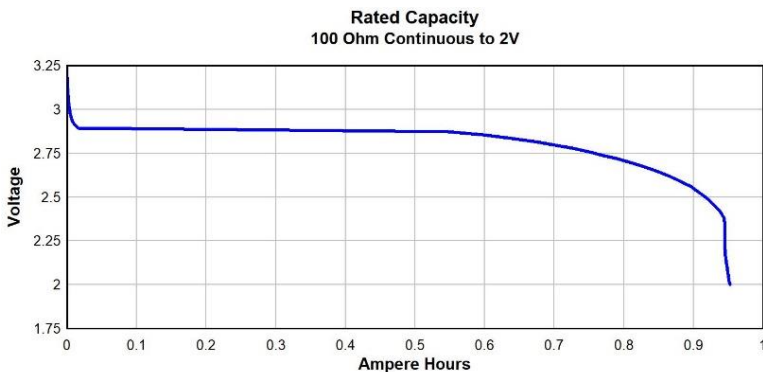
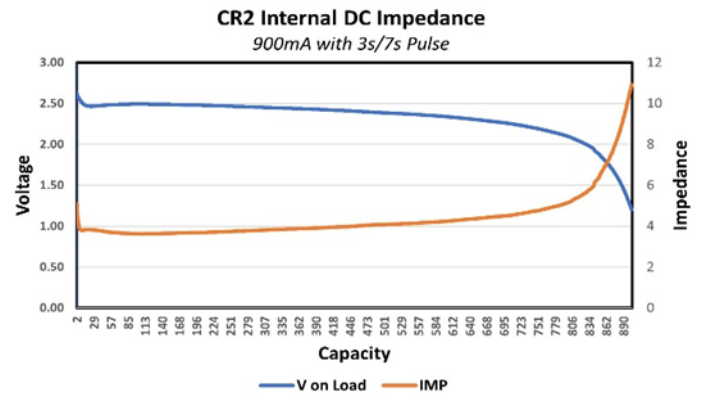
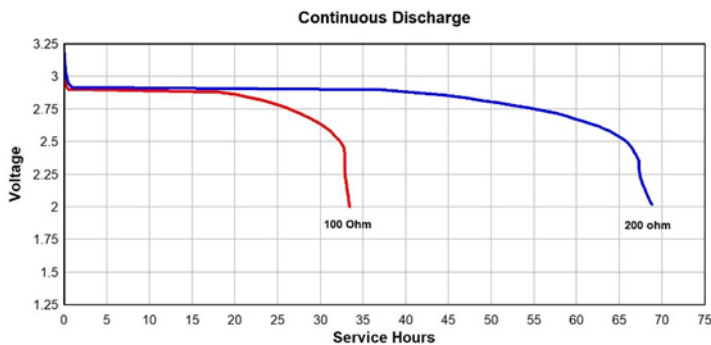
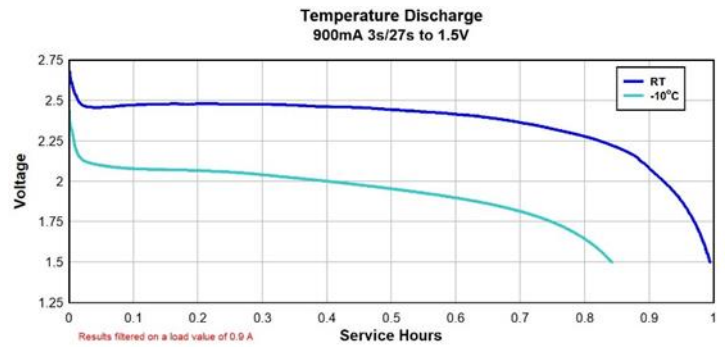
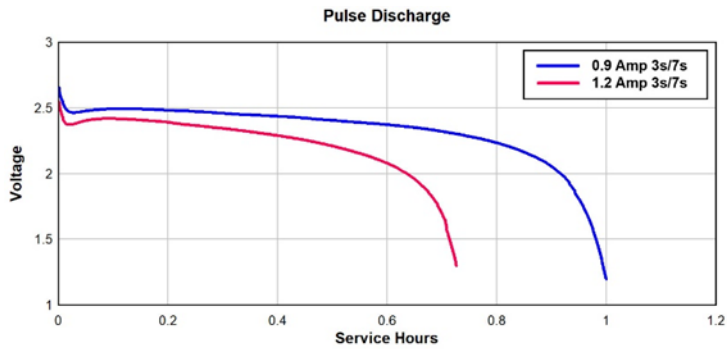
OPERATING & STORAGE CONDITIONS

▪ Operating temperature range	-20°C to 75°C (-4°F to 167°F)
▪ Recommended Storage	Storage area should be clean, cool (preferably not exceeding +30°C), dry and ventilated
	5°C to 30°C (41°F to 86° F)

Delivered capacity is dependent on the applied load, operating temperature and cut-off voltage. Please refer to the charts and discharge data shown for examples of the energy/service life that the battery will provide for various load conditions.

This data is subject to change. Performance information is typical. Contact Duracell for the latest information.

TYPICAL PERFORMANCE



60086-4 © IEC:2007 Edition 3.0

Test	Test designation	Observation
A	Altitude	Pass
B	Thermal cycling	Pass
C	Vibration	Pass
D	Shock	Pass
E	External short circuit	Pass
F	Impact	Pass
G	Crush	Pass
H	Forced discharge	Pass
I	Abnormal charging	Pass
J	Free fall	Pass
K	Thermal Abuse	Pass

Warning

- Fire, explosion and burn hazard
- Do not recharge, short circuit, crush, disassemble heat above 100°C (212°F), incinerate or expose contents to water

Delivered capacity is dependent on the applied load, operating temperature and cut-off voltage. Please refer to the charts and discharge data shown for examples of the energy/service life that the battery will provide for various load conditions.

This data is subject to change. Performance information is typical. Contact Duracell for the latest information.