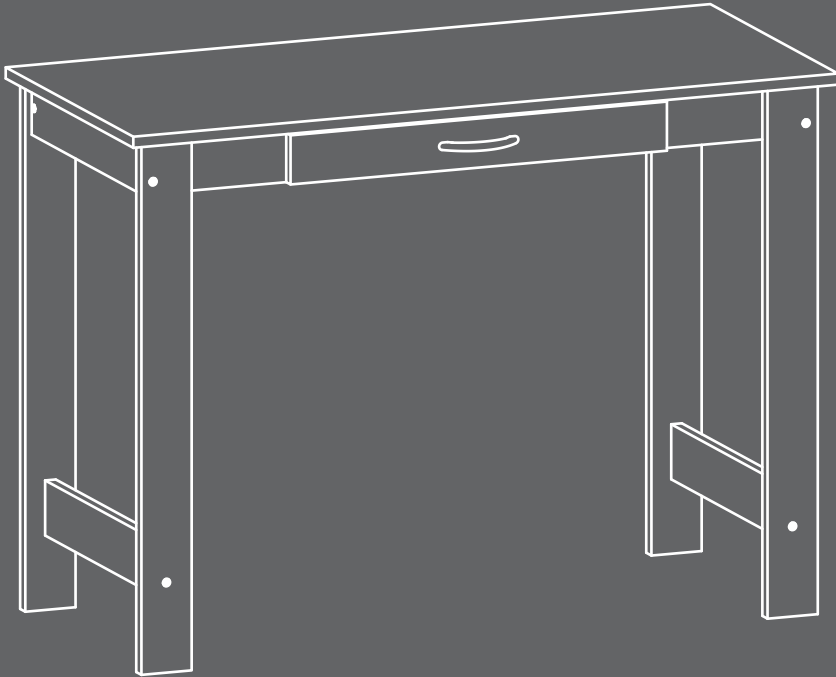


www.teknikoffice.co.uk

Teknik



Something to **write**
home about.

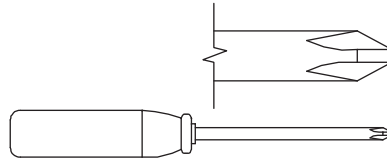
Writing Table Cinnamon Cherry

| Model 5412885

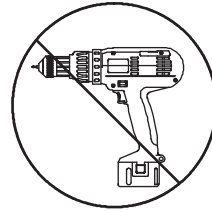
Table of Contents

Assembly Tools Required

Part Identification	3
Hardware Identification	4
Assembly Steps	5-15
Français	16-18
Español	19-21
Safety	22
Warranty	23



No. 2 Phillips Screwdriver
Tip Shown Actual Size



Skip the power trip.
This time.

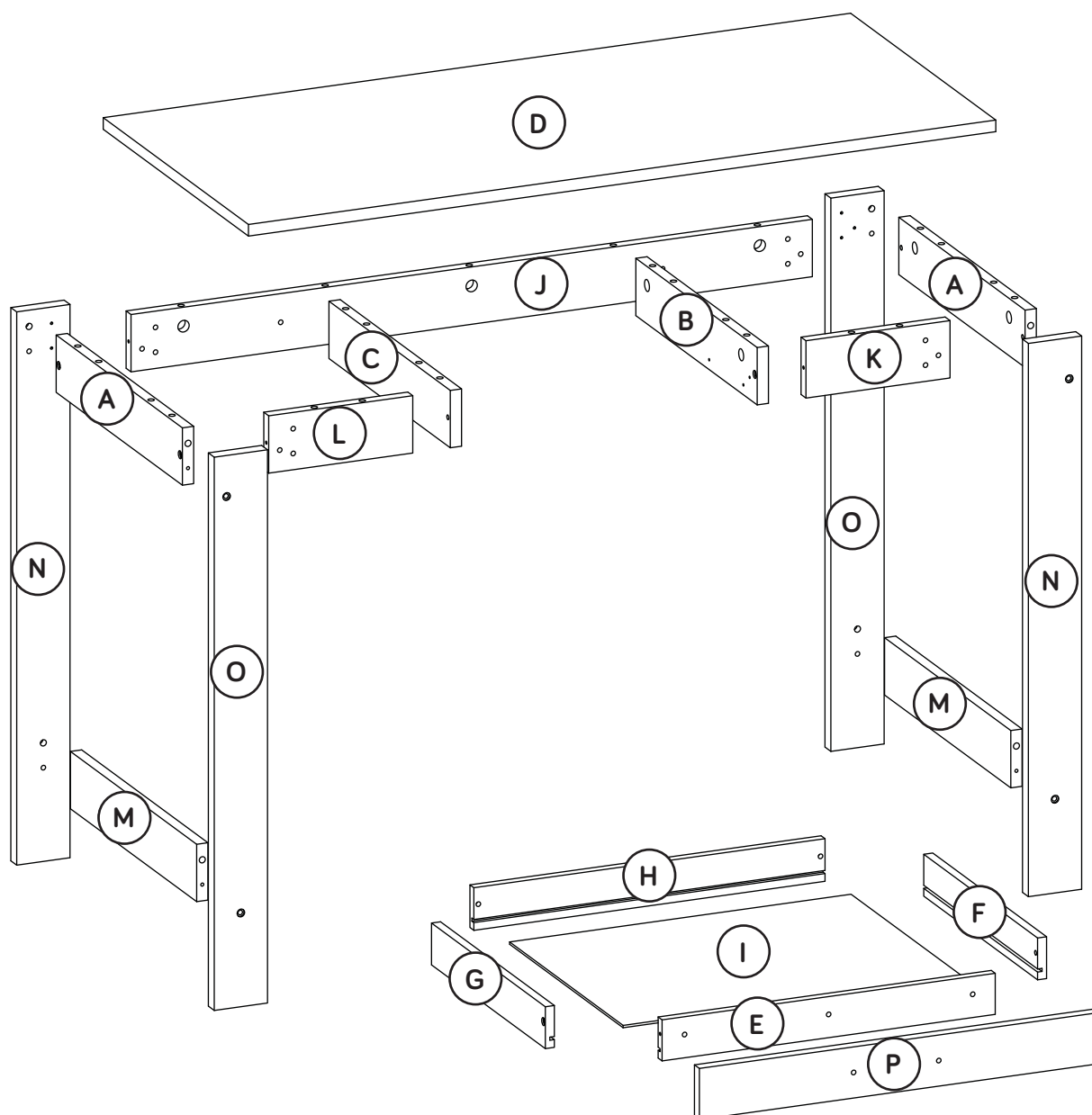
Part Identification

Now you know
our ABCs.



↑ While not all parts are labeled, some of the parts will have a label or an inked letter on the edge to help distinguish similar parts from each other. Use this part identification to help identify similar parts.

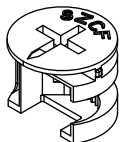
A	END (2)	I	DRAWER BOTTOM (1)
B	RIGHT UPRIGHT (1)	J	BACK (1)
C	LEFT UPRIGHT (1)	K	RIGHT FRONT (1)
D	TOP (1)	L	LEFT FRONT (1)
E	DRAWER BOX FRONT (1)	M	STRETCHER (2)
F	RIGHT DRAWER SIDE (1)	N	RIGHT FRONT/LEFT REAR LEG (2)
G	LEFT DRAWER SIDE (1)	O	LEFT FRONT/RIGHT REAR LEG (2)
H	DRAWER BACK (1)	P	DRAWER FRONT (1)



Hardware Identification

† Screws are shown actual size. You may receive extra hardware with your unit.

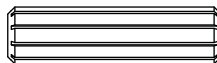
1 HIDDEN CAM - 13



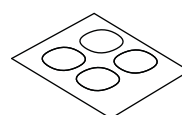
2 CAM SCREW - 13



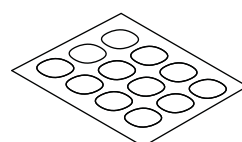
3 WOOD DOWEL - 20



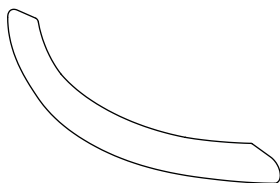
4 CAM COVER CARD - 1



5 SCREW COVER CARD - 1



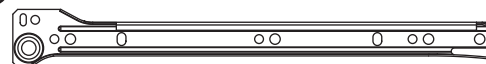
6 PULL - 1



17 RIGHT CABINET RAIL - 1



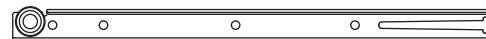
18 LEFT CABINET RAIL - 1



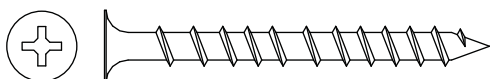
19 RIGHT DRAWER SLIDE - 1



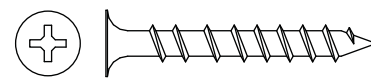
20 LEFT DRAWER SLIDE - 1



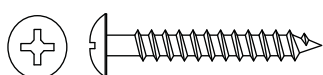
11 BLACK 2" FLAT HEAD SCREW - 16



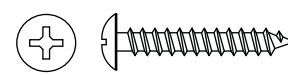
12 BLACK 1-1/2" FLAT HEAD SCREW - 4



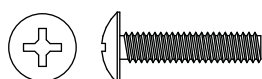
13 BLACK 1-1/8" PAN HEAD SCREW - 12



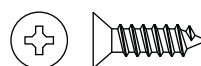
14 BLACK 1" PAN HEAD SCREW - 3



15 BLACK 3/4" MACHINE SCREW - 2

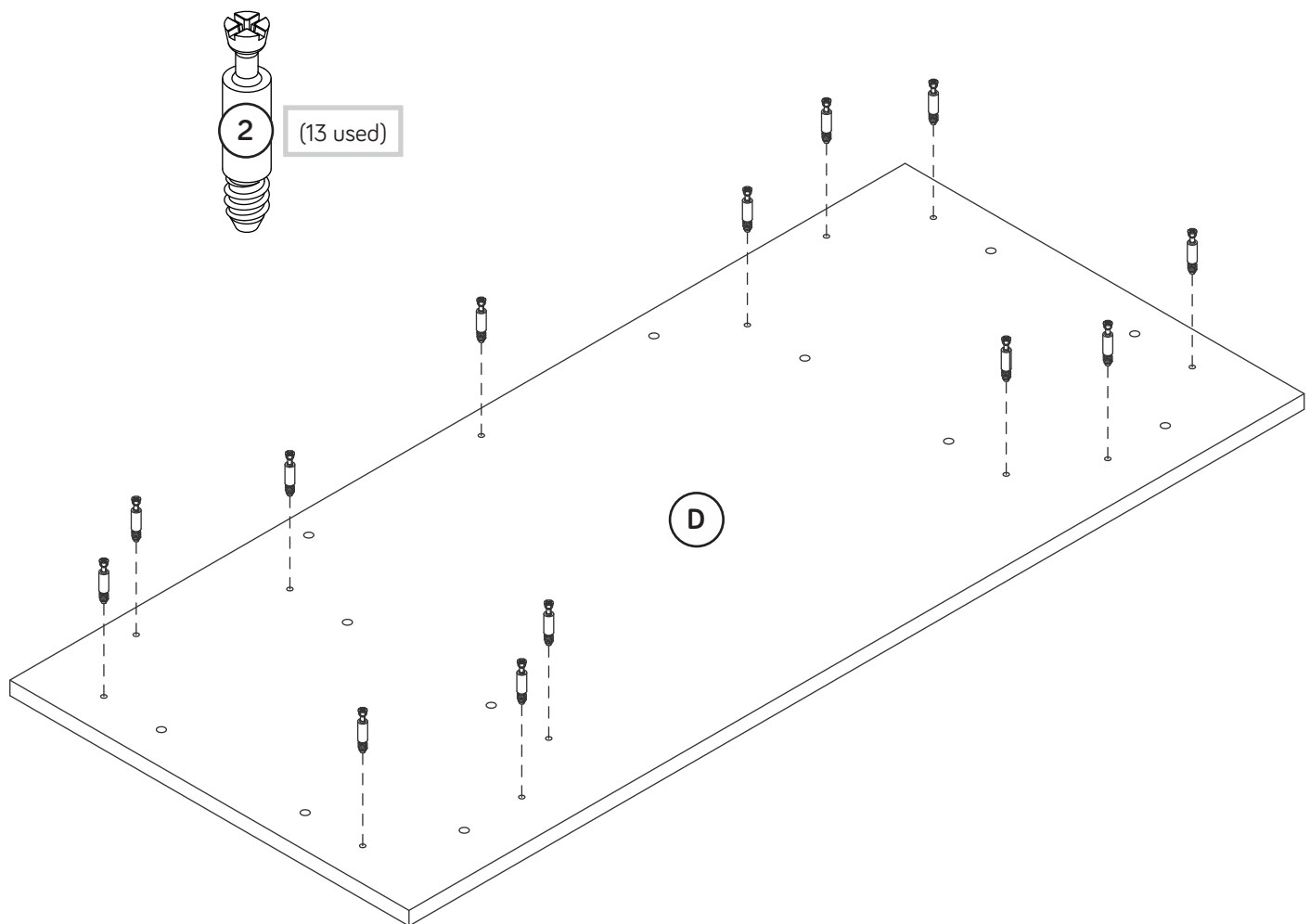
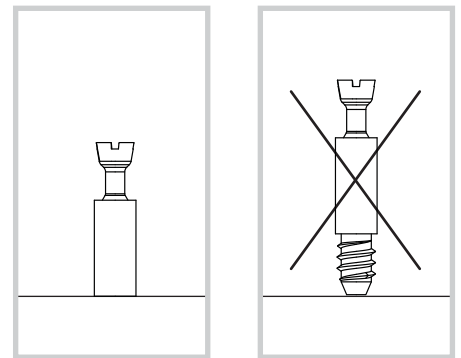


16 BLACK 1/2" FLAT HEAD SCREW - 14



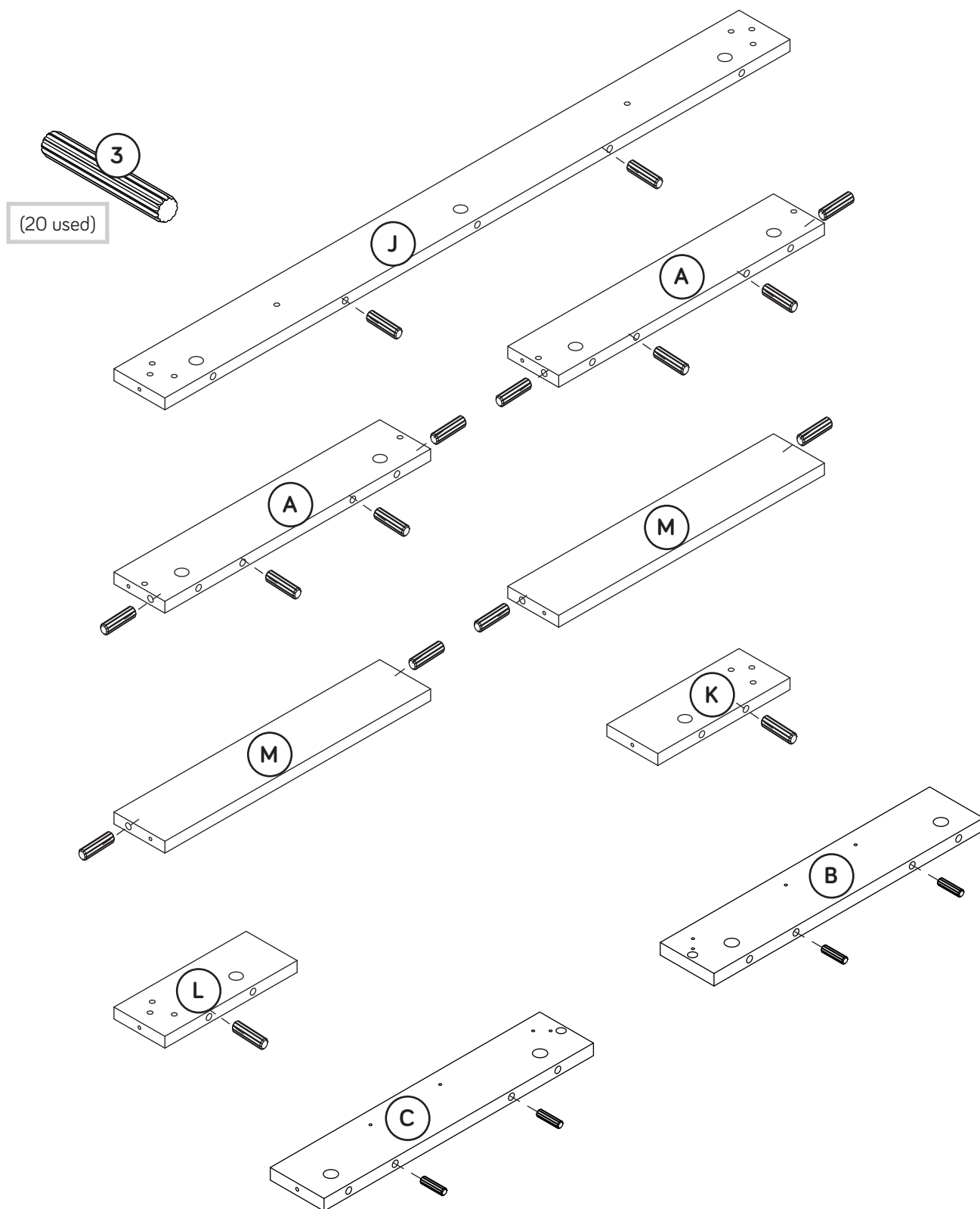
Step 1

- ✚ Assemble your unit on a carpeted floor or on the empty carton to avoid scratching your unit or the floor.
- ✚ Turn thirteen CAM SCREWS (2) into the TOP (D).



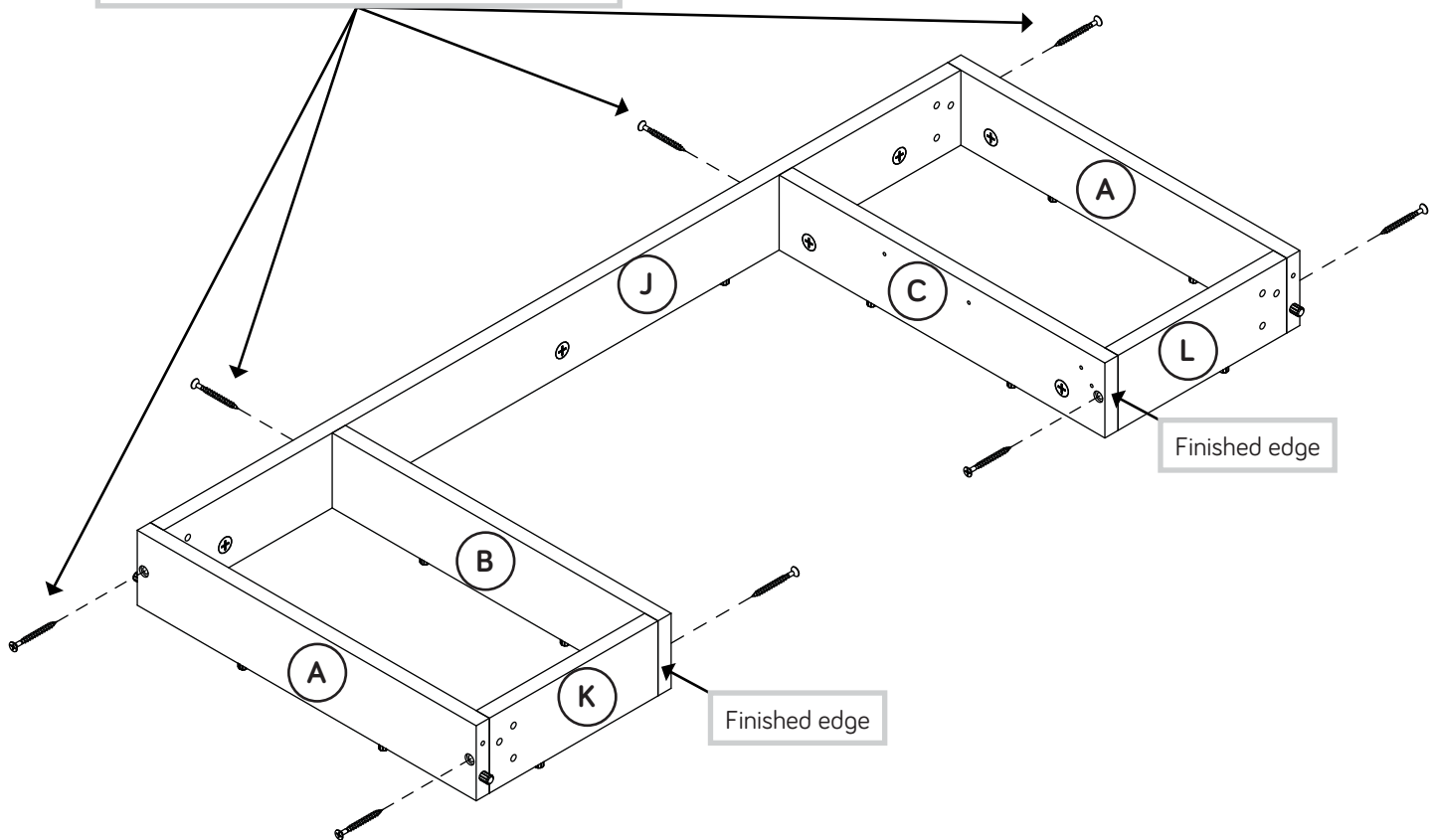
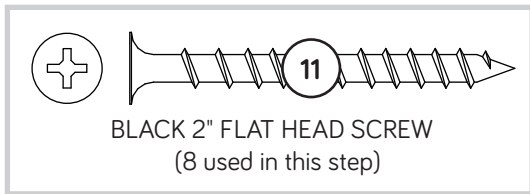
Step 2

- ✚ Insert twenty WOOD DOWELS (3) into the holes in the edges of the ENDS (A), UPRIGHTS (B and C), BACK (J), FRONTS (K and L), and STRETCHERS (M).



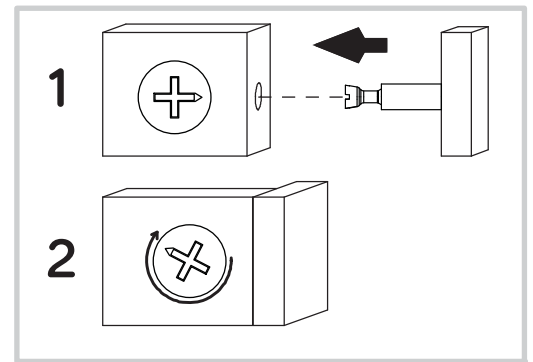
Step 3

- ✚ Fasten the ENDS (A) to the BACK (J). Use two BLACK 2" FLAT HEAD SCREWS (11).
- ✚ Fasten the FRONTS (K and L) to the ENDS (A). Use two BLACK 2" FLAT HEAD SCREWS (11).
- ✚ Fasten the UPRIGHTS (B and C) to the BACK (J) and FRONTS (K and L). Use four BLACK 2" FLAT HEAD SCREWS (11).

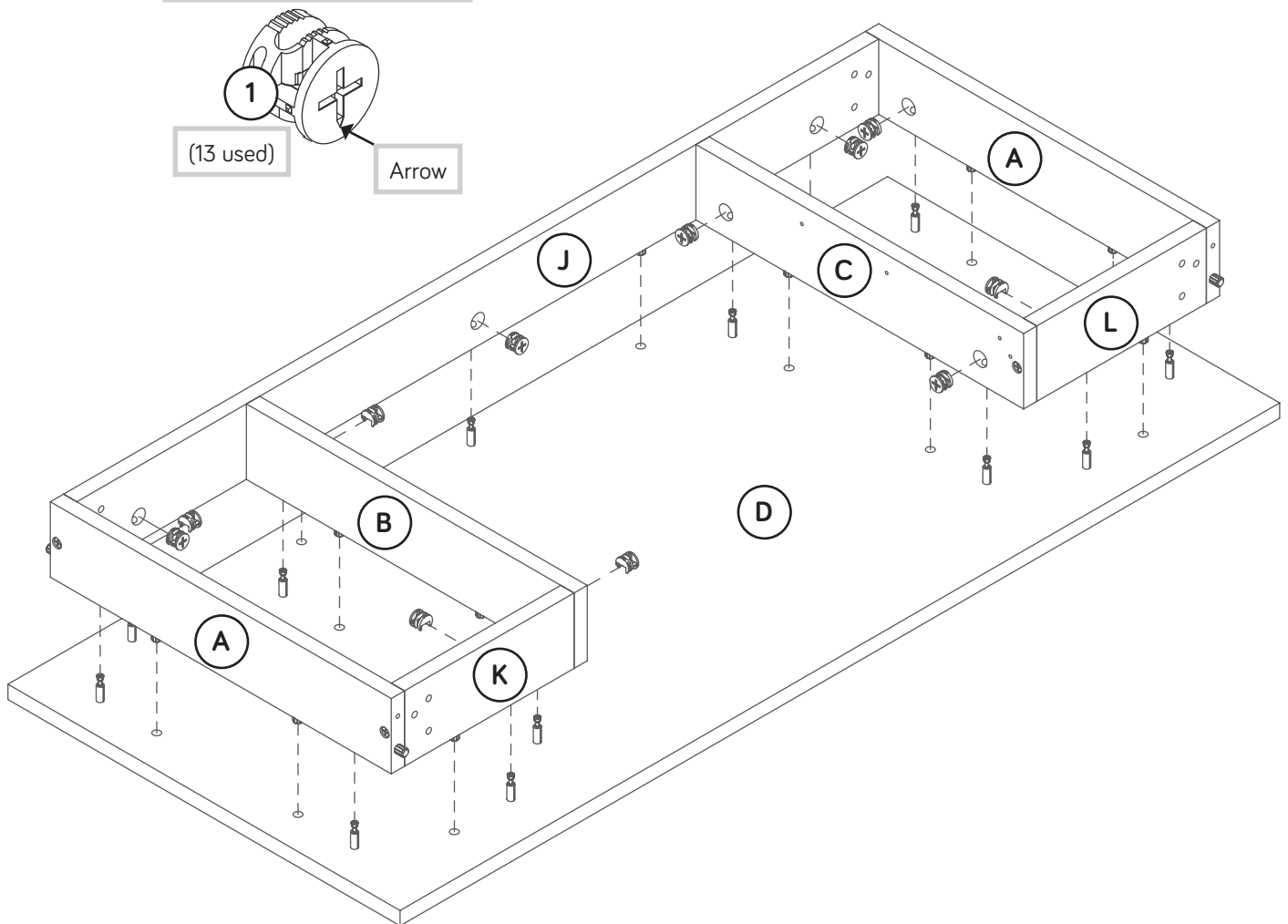


Step 4

- ✚ Push thirteen HIDDEN CAMS (1) into the ENDS (A), UPRIGHTS (B and C), BACK (J) and FRONTS (K and L).
- ✚ Fasten the ENDS (A), UPRIGHTS (B and C), BACK (J) and FRONTS (K and L) to the TOP (D). Tighten thirteen HIDDEN CAMS.
- ✚ **NOTE:** Be sure the WOOD DOWELS in the ENDS, UPRIGHTS, BACK and FRONTS insert into the holes in the TOP.

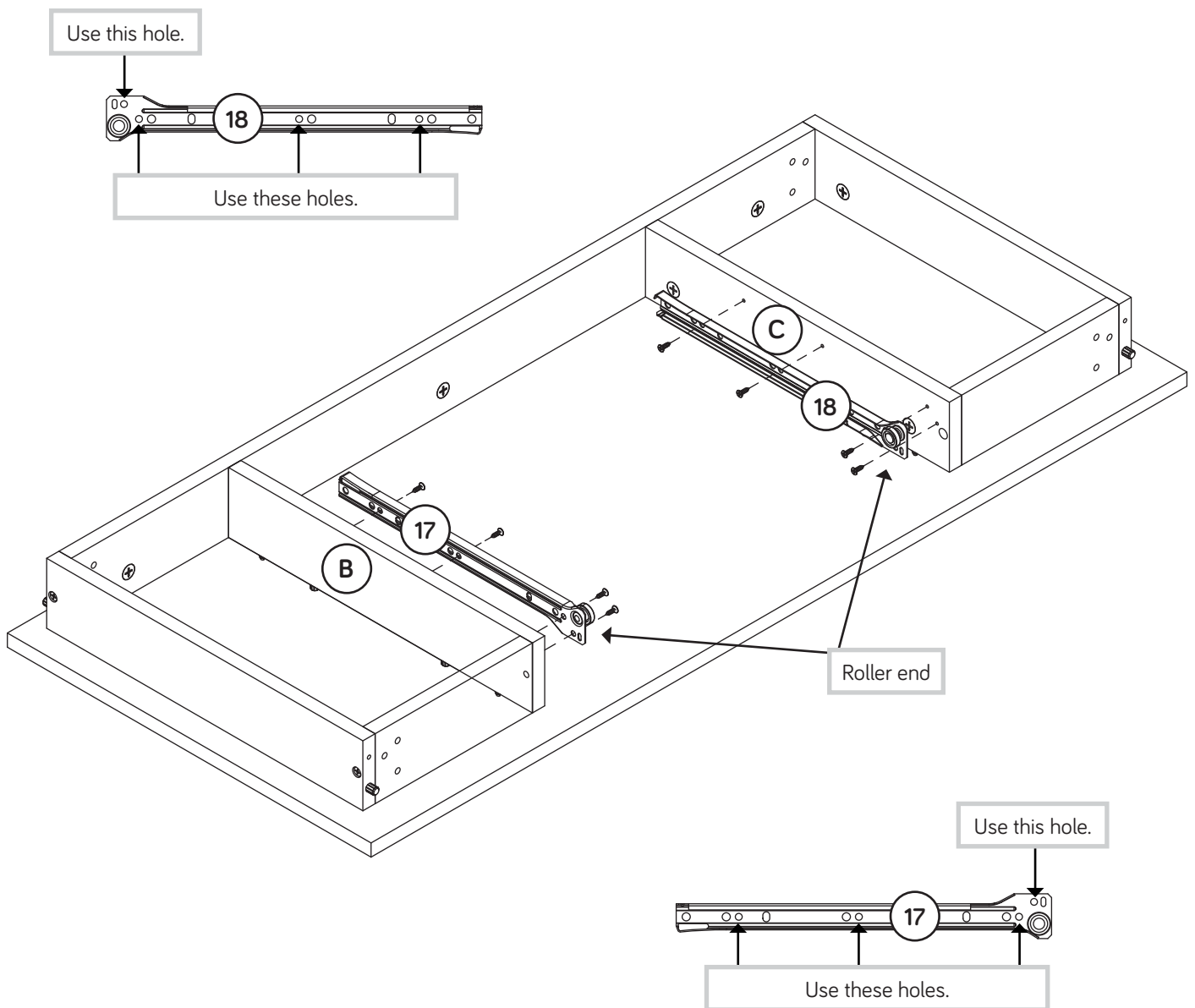
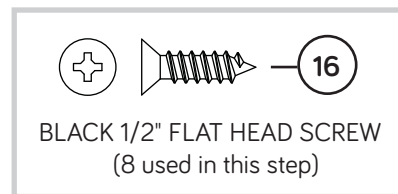


The arrow in the HIDDEN CAM must point toward the hole in the edge of the board.



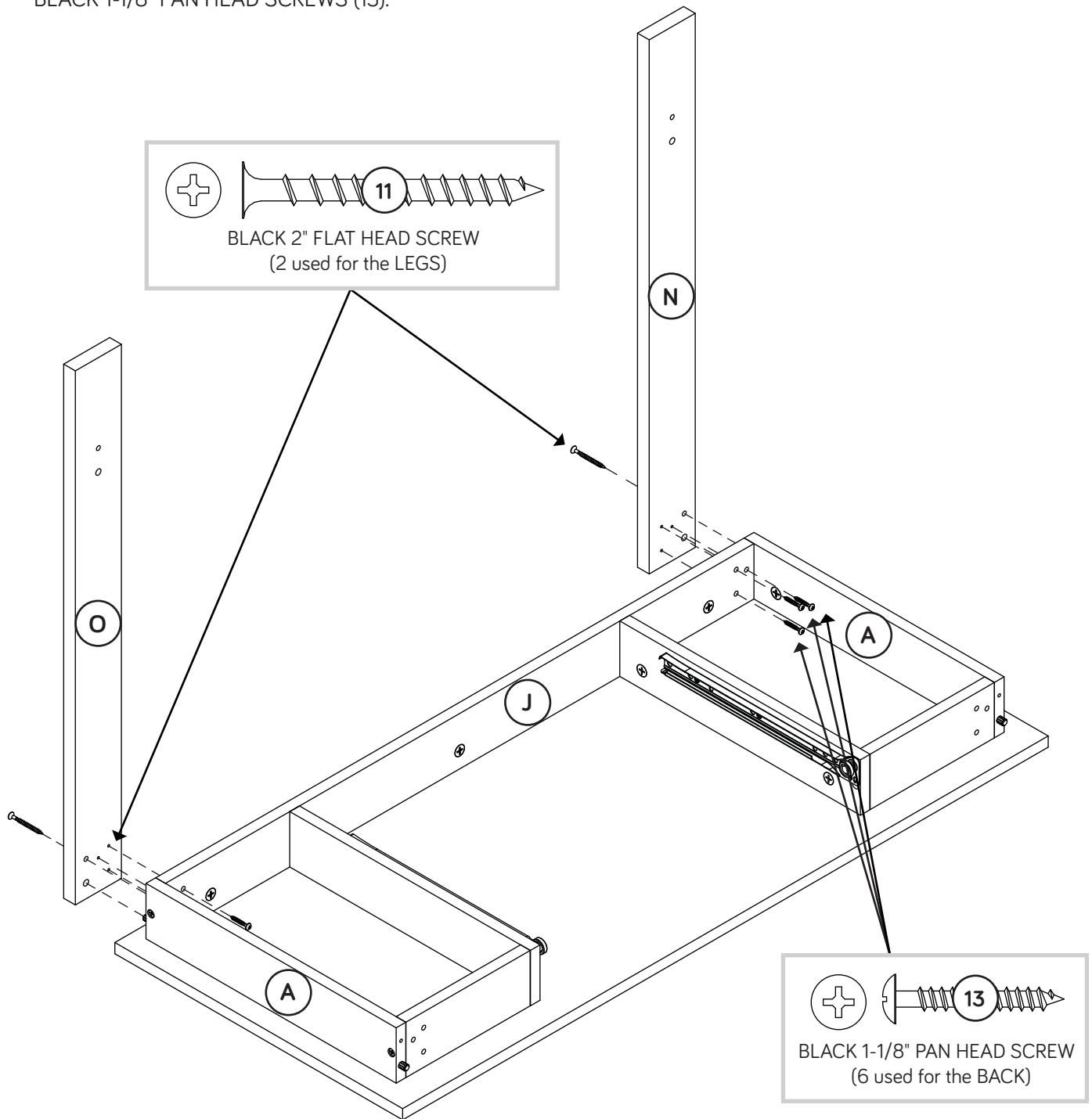
Step 5

Fasten the RIGHT CABINET RAIL (17) to the RIGHT UPRIGHT (B) and the LEFT CABINET RAIL (18) to the LEFT UPRIGHT (C). Use eight BLACK 1/2" FLAT HEAD SCREWS (16) through the exact holes shown below.



Step 6

- ✚ Fasten two LEGS (N and O) to the ENDS (A). Use two BLACK 2" FLAT HEAD SCREWS (11).
- ✚ **NOTE:** Be sure the WOOD DOWELS in the ENDS insert into the holes in the LEGS.
- ✚ Fasten the BACK (J) to the LEGS (N and O). Use six BLACK 1-1/8" PAN HEAD SCREWS (13).



Step 7

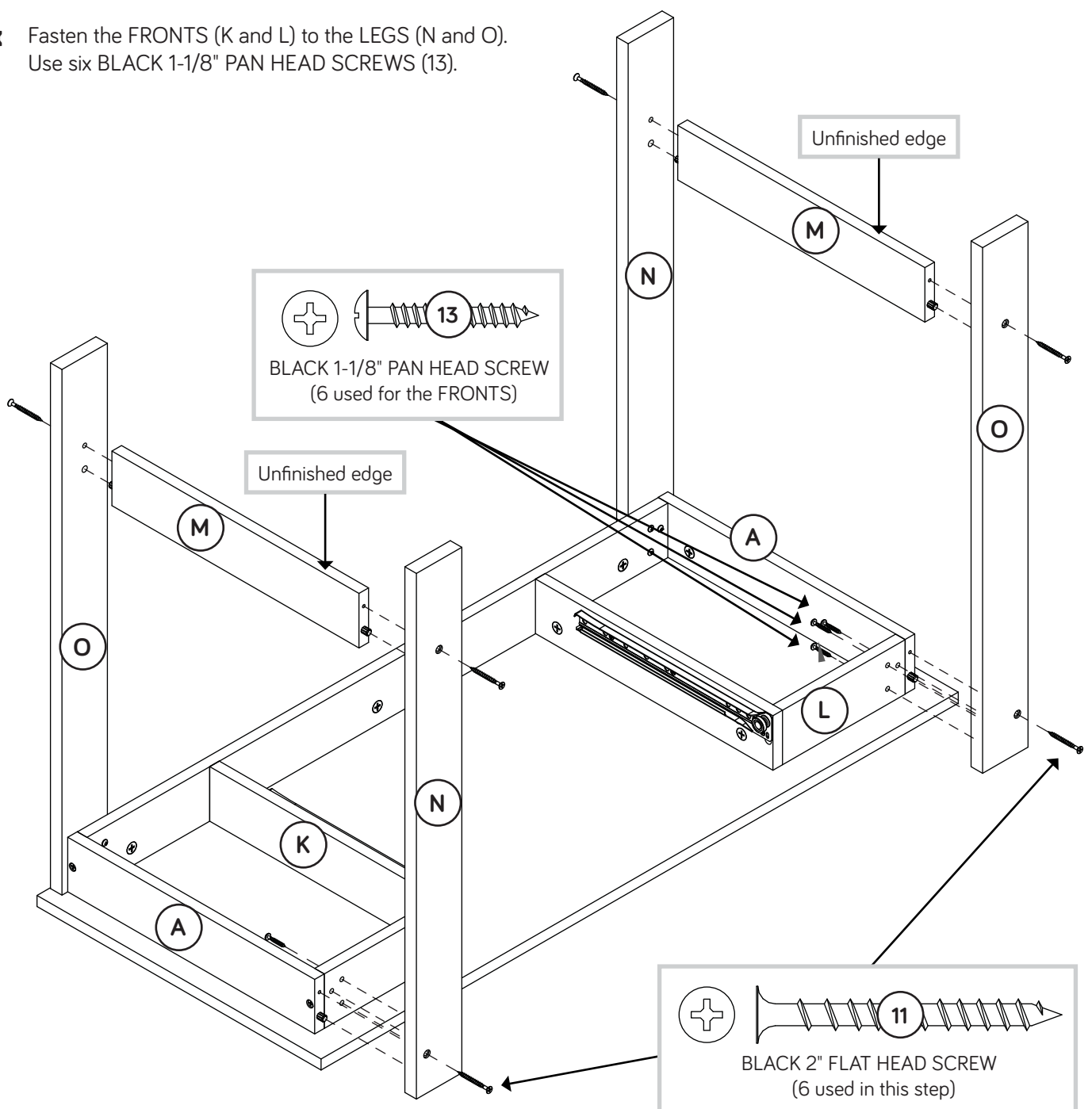
✚ Fasten the STRETCHERS (M) to the LEGS (N and O).
Use two BLACK 2" FLAT HEAD SCREWS (11).

✚ **NOTE:** Be sure the WOOD DOWELS in the STRETCHERS insert into the holes in the LEGS.

✚ Fasten the remaining LEGS (N and O) to the ENDS (A) and STRETCHERS (M). Use four BLACK 2" FLAT HEAD SCREWS (11).

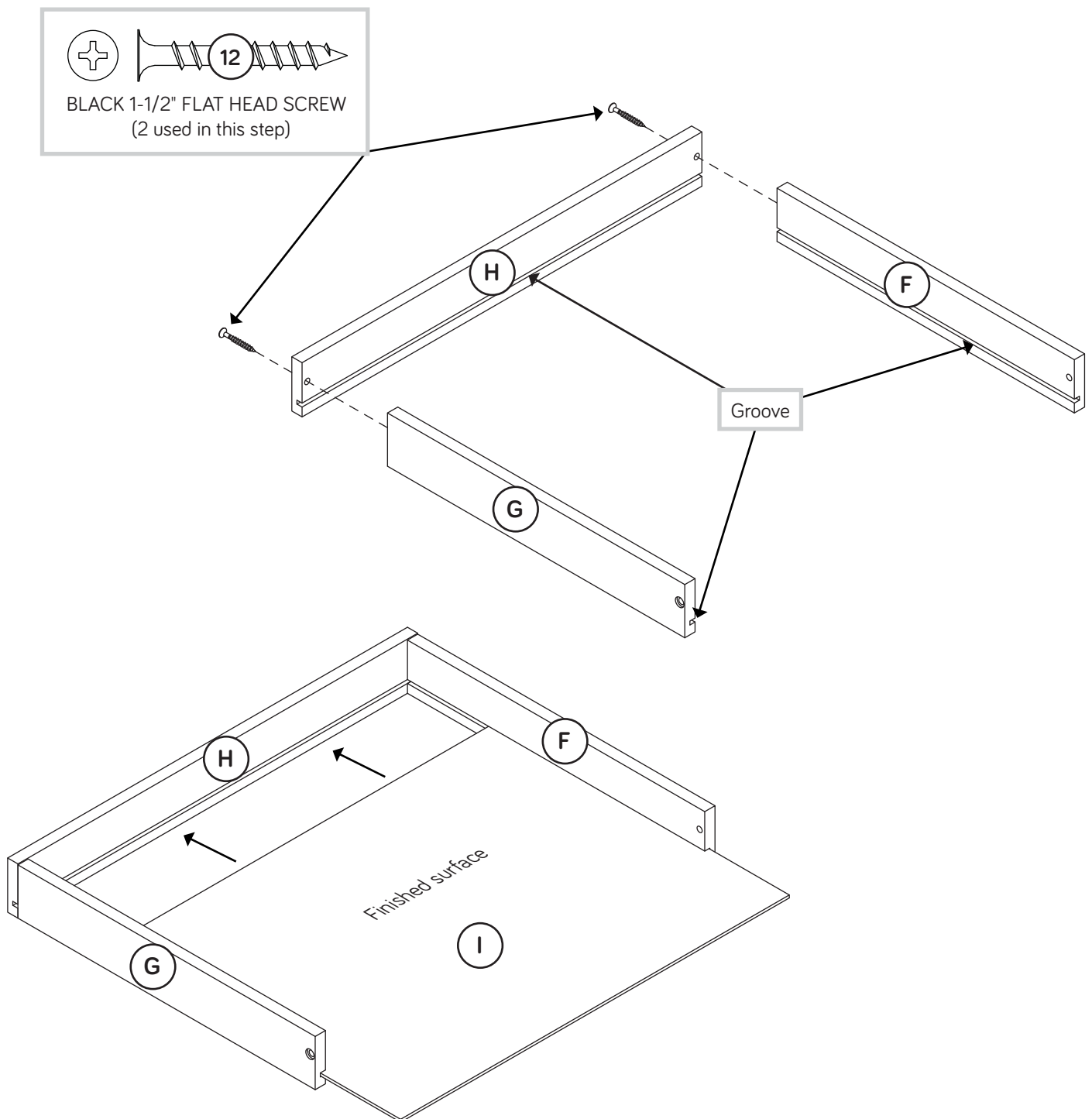
✚ **NOTE:** Be sure the WOOD DOWELS in the ENDS and STRETCHERS insert into the holes in the LEGS.

✚ Fasten the FRONTS (K and L) to the LEGS (N and O).
Use six BLACK 1-1/8" PAN HEAD SCREWS (13).



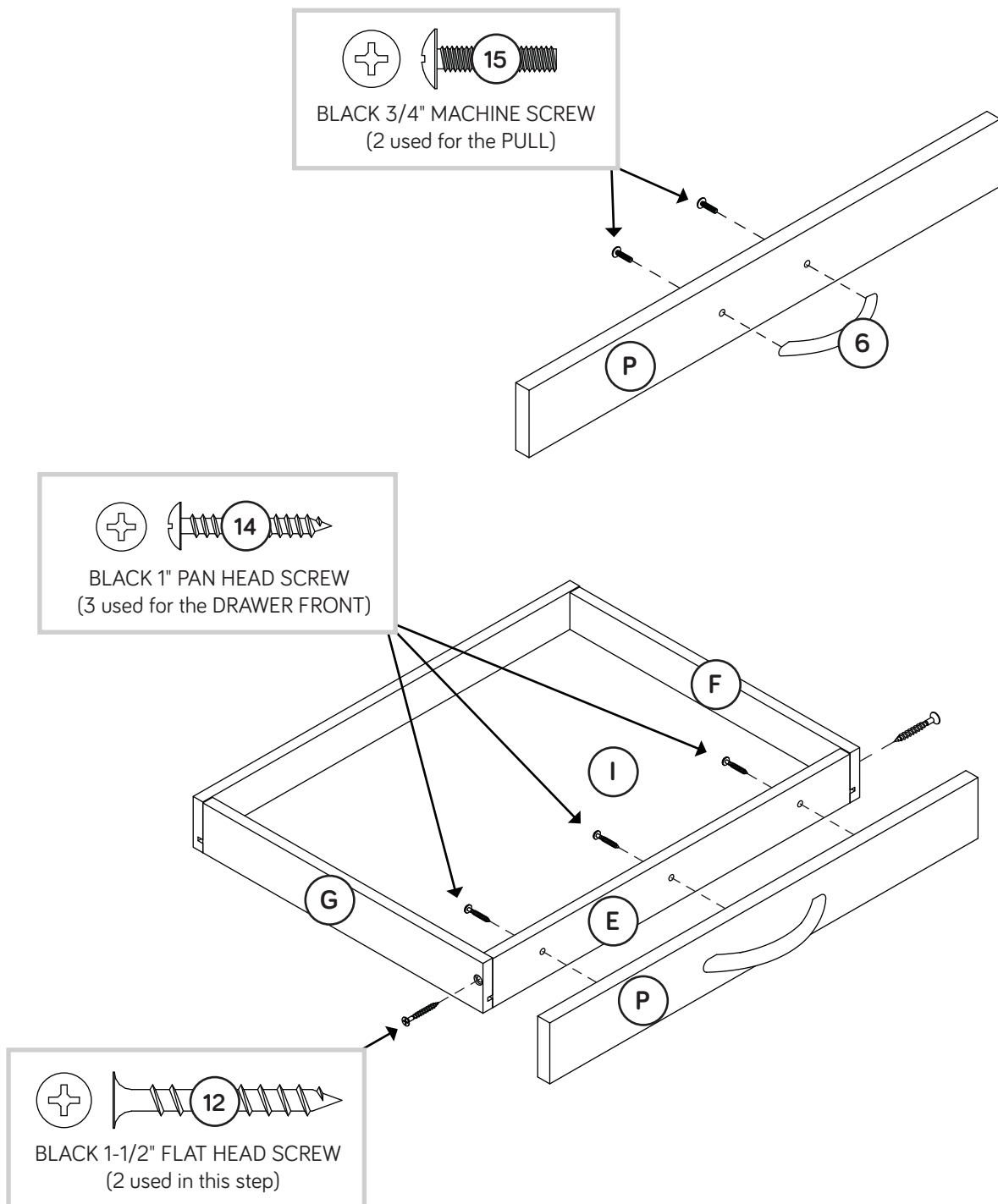
Step 8

- Fasten the DRAWER SIDES (F and G) to the DRAWER BACK (H) as shown in the upper diagram. Use two BLACK 1-1/2" FLAT HEAD SCREWS (12).
- Slide the DRAWER BOTTOM (I) into the grooves in the DRAWER SIDES (F and G) and DRAWER BACK (H) as shown in the lower diagram.



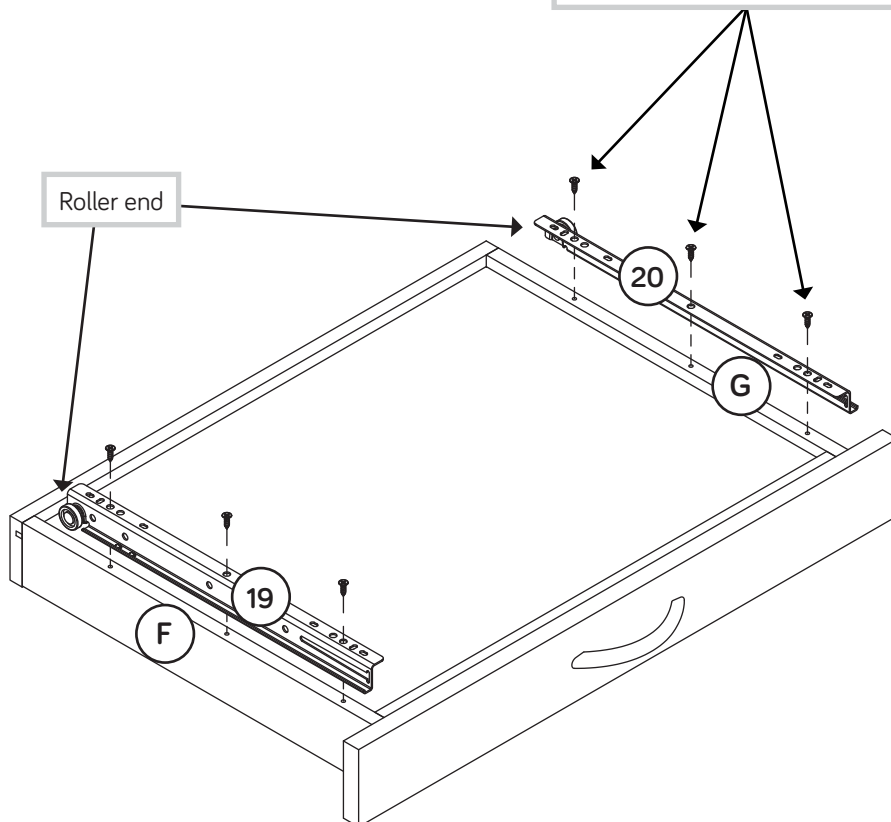
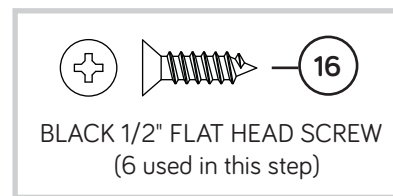
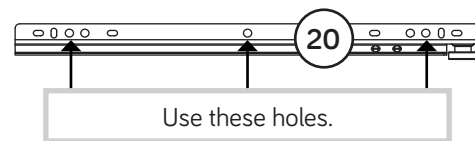
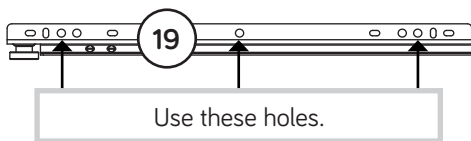
Step 9

- Fasten the PULL (6) to the DRAWER FRONT (P) as shown in the upper diagram. Use two BLACK 3/4" MACHINE SCREWS (15) through the DRAWER FRONT and into the PULL.
- Fasten the DRAWER BOX FRONT (E) to the DRAWER SIDES (F and G) as shown in the lower diagram. Use two BLACK 1-1/2" FLAT HEAD SCREWS (12).
- NOTE:** Be sure the DRAWER BOTTOM (I) inserts into the DRAWER BOX FRONT groove.
- Fasten the DRAWER FRONT (P) to the DRAWER BOX FRONT (E). Use three BLACK 1" PAN HEAD SCREWS (14).



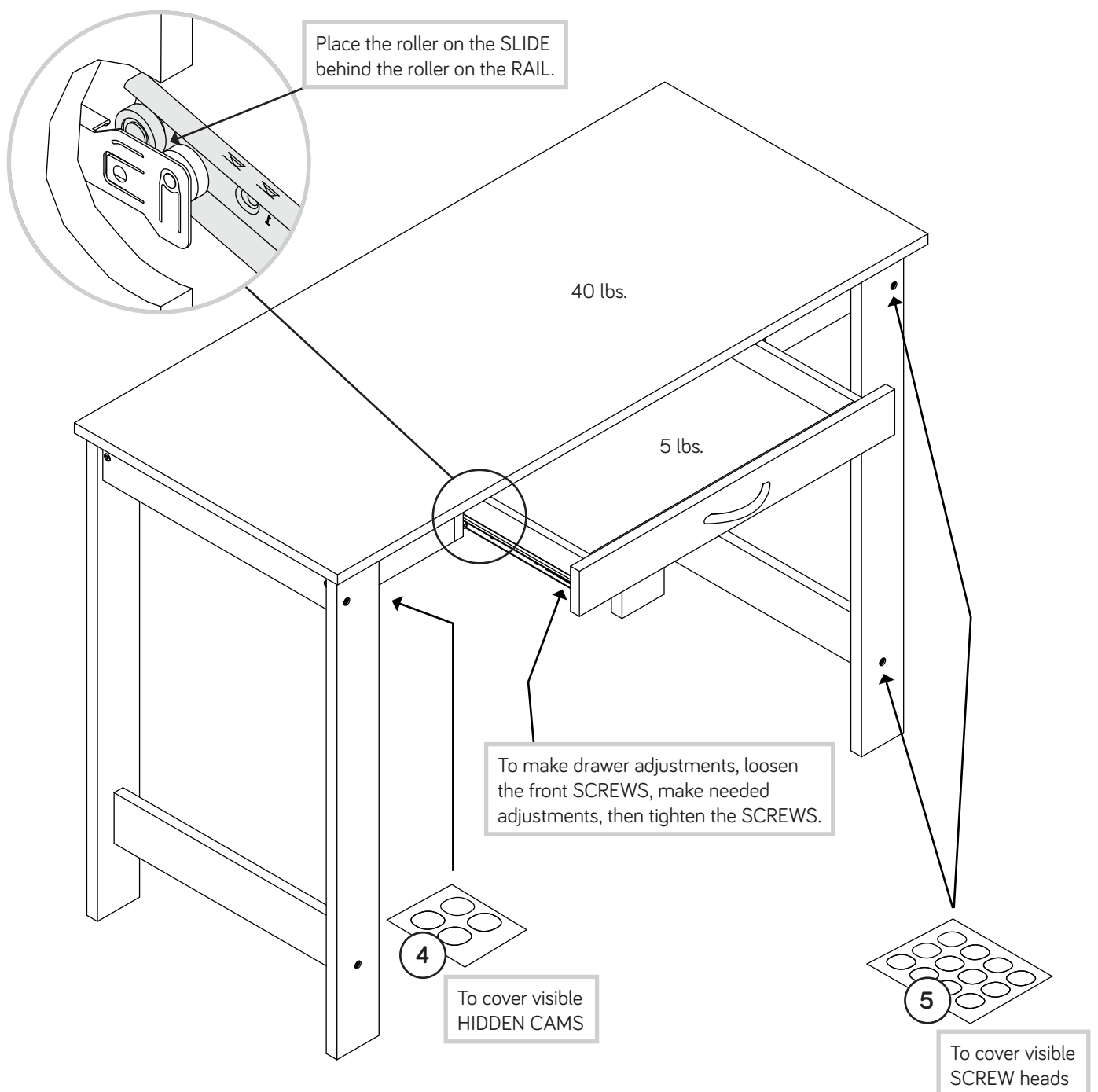
Step 10

- ✚ Carefully turn your drawer over onto its top edges.
- ✚ Fasten the RIGHT DRAWER SLIDE (19) to the RIGHT DRAWER SIDE (F) and the LEFT DRAWER SLIDE (20) to the LEFT DRAWER SIDE (G). Use six BLACK 1/2" FLAT HEAD SCREWS (16).



Step 11

- ✂ Carefully stand your unit upright.
- ✂ To insert the drawer into your unit, tip the front of the drawer down and drop the rollers on the drawer behind the rollers on the unit. Lift the front of the drawer up and slide it into the unit.
- ✂ Peel the COVERS from the CAM COVER CARD (4) and stick one onto each visible HIDDEN CAM.
- ✂ Peel the COVERS from the SCREW COVER CARD (5) and stick one onto each visible SCREW head.
- ✂ **NOTE:** Please read this back page of the instruction booklet for important safety information.
- ✂ This completes assembly. Clean with your favorite furniture polish or a damp cloth. Wipe dry.



⚠ WARNING

Please use your furniture correctly and safely. Improper use can cause safety hazards, or damage to your furniture or household items. ***Carefully read the following chart.***

Look out for:	What can happen:	How to avoid the problem:
<ul style="list-style-type: none">Overloaded drawers or shelves.	<ul style="list-style-type: none">Risk of injury.Top-heavy furniture can tip over.Overloaded drawers or shelves can break.	<ul style="list-style-type: none">Never exceed the weight limits shown in the instructions.Work from bottom to top when loading shelves and drawers. Place the heavier items on the lower shelves or in lower drawers.
<ul style="list-style-type: none">Placing TVs on furniture items that are not designed to support a television is hazardous.	<ul style="list-style-type: none">Risk of injury or death. TVs can be very heavy. Plus the weight and location of the picture tube tends to make TVs unbalanced and prone to tipping forward.	<ul style="list-style-type: none">This product is not designed to support a television.