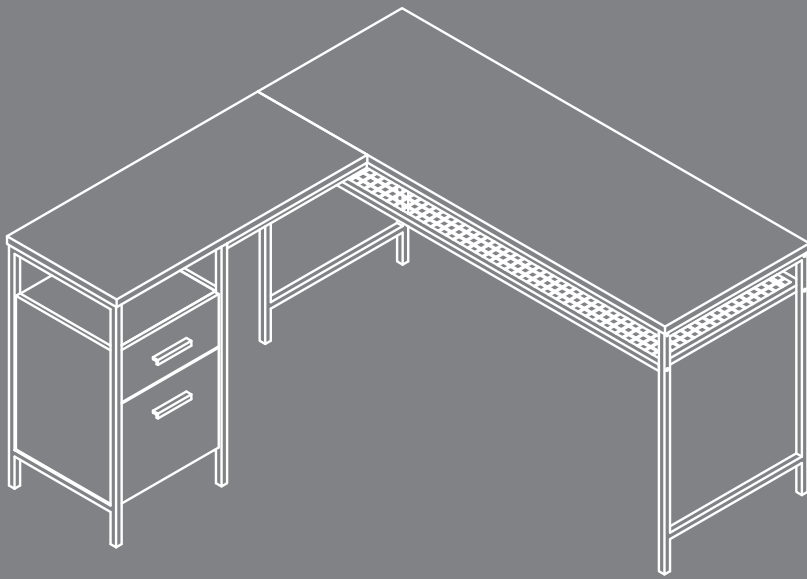


[www.teknikoffice.co.uk](http://www.teknikoffice.co.uk)

**Teknik**



We're in your **corner**.

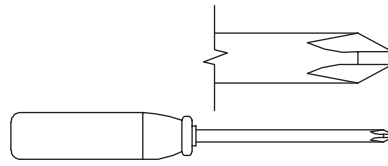
# Market L-Shaped Desk

Model 5425767

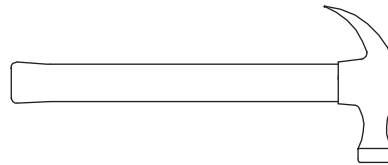
# Table of Contents

# Assembly Tools Required

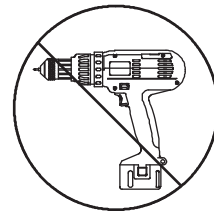
Part Identification	3
Hardware Identification	4
Assembly Steps	5-20
Français	21-24
Español	25-28
Safety	29-30
Warranty	31



No. 2 Phillips Screwdriver  
Tip Shown Actual Size



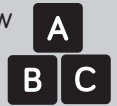
Hammer  
Not actual size 😊



Skip the power trip.  
This time.

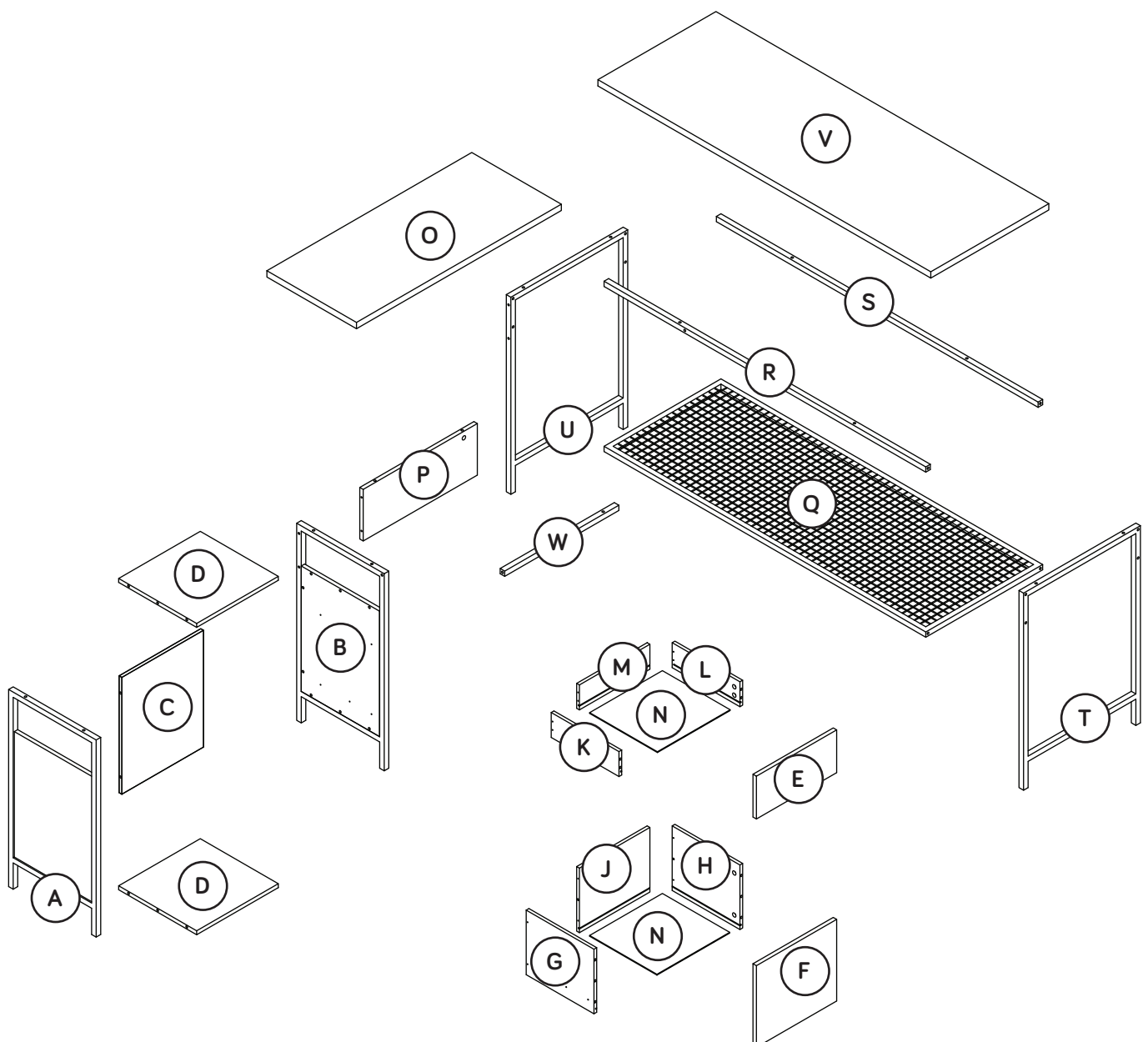
# Part Identification

Now you know  
our ABCs.



While not all parts are labeled, some of the parts will have a label or an inked letter on the edge to help distinguish similar parts from each other. Use this part identification to help identify similar parts.

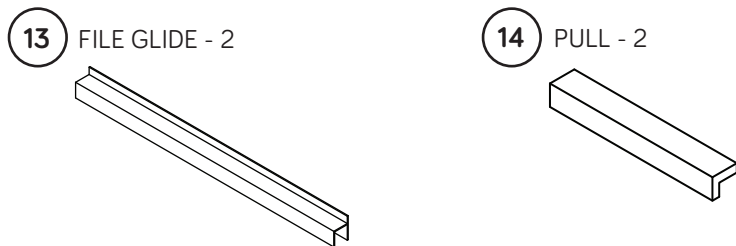
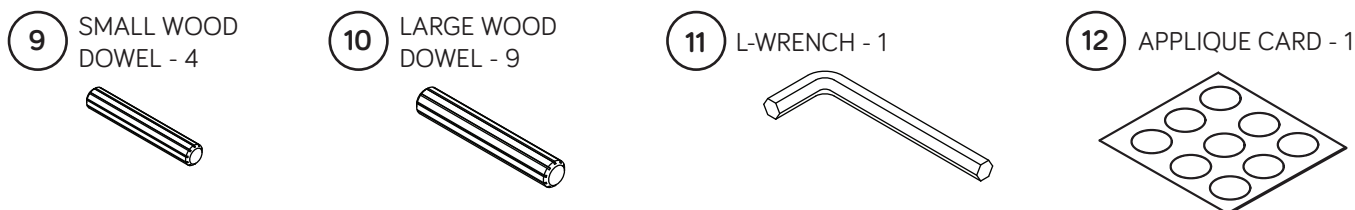
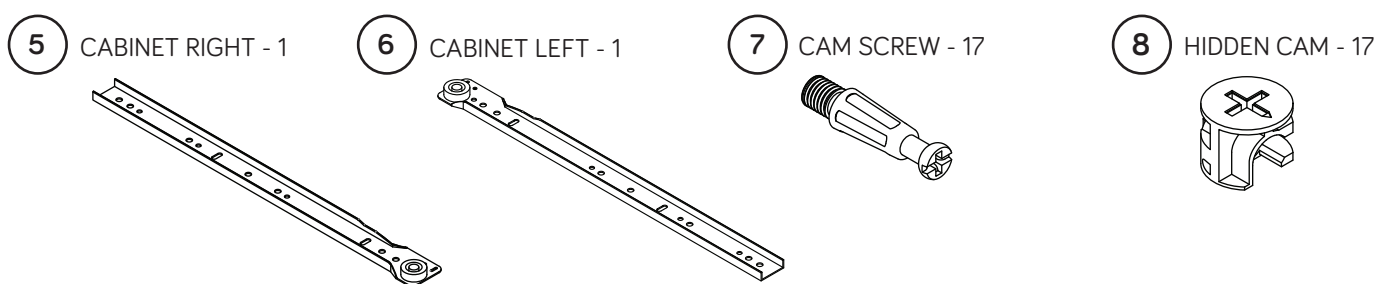
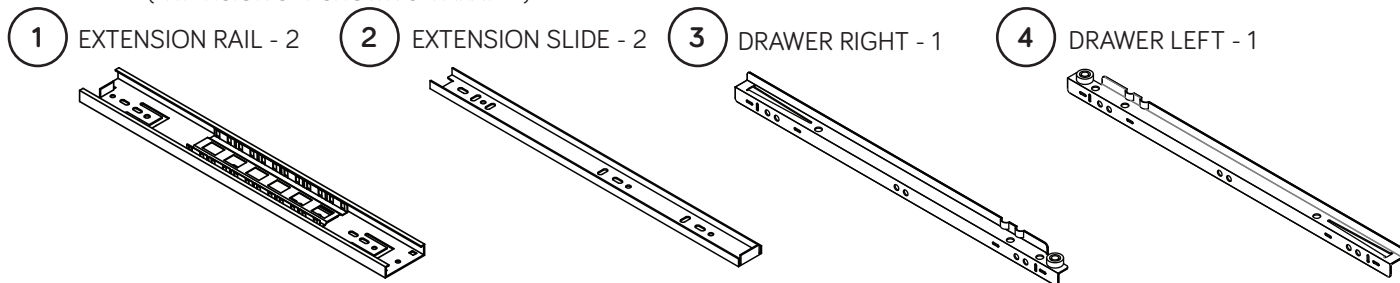
A	LEFT END LEG (1)	J	LARGE DRAWER BACK (1)	R	FRONT LONG BRACE (1)
B	LEFT UPRIGHT LEG (1)	K	SMALL LEFT DRAWER SIDE (1)	S	REAR LONG BRACE (1)
C	BACK (1)	L	SMALL RIGHT DRAWER SIDE (1)	T	RIGHT END LEG (1)
D	SHELF/BOTTOM (2)	M	SMALL DRAWER BACK (1)	U	REAR LEG (1)
E	SMALL DRAWER FRONT (1)	N	DRAWER BOTTOM (2)	V	LARGE TOP (1)
F	LARGE DRAWER FRONT (1)	O	SMALL TOP (1)	W	SHORT BRACE (1)
G	LARGE LEFT DRAWER SIDE (1)	P	BRACE (1)		
H	LARGE RIGHT DRAWER SIDE (1)	Q	WIRE SHELF (1)		



# Hardware Identification

† Screws are shown actual size. You may receive extra hardware with your unit.

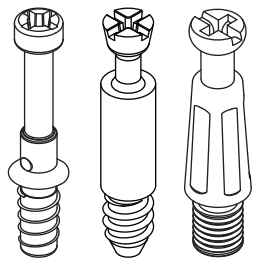
(EXTENSION SET SHOWN SEPARATED)



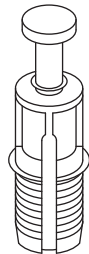
# Hardware Usage Guide

## HOW TO USE A HIDDEN CAM & CAM SCREW OR CAM DOWEL

1. NOTE: Various CAM SCREWS or a CAM DOWEL may be used.

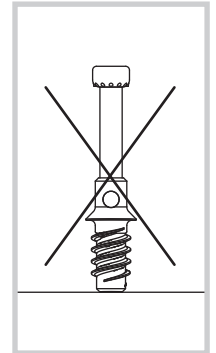
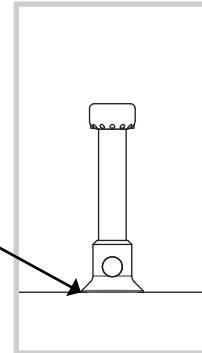


Cam Screws

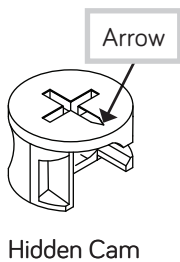


Cam Dowel

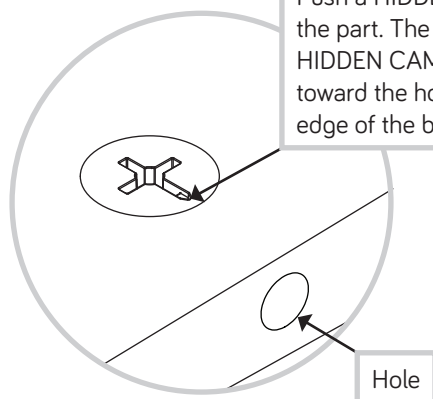
Turn the CAM SCREW or gently tap the CAM DOWEL until the shoulder is against the surface of the part.



2.



Arrow

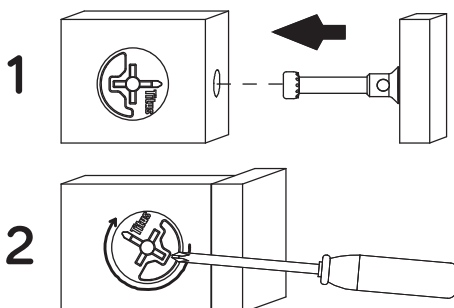


Push a HIDDEN CAM into the part. The arrow in the HIDDEN CAM must point toward the hole in the edge of the board.

Hole

3.

Insert the CAM SCREW or CAM DOWEL into the HIDDEN CAM. Tighten the HIDDEN CAM.

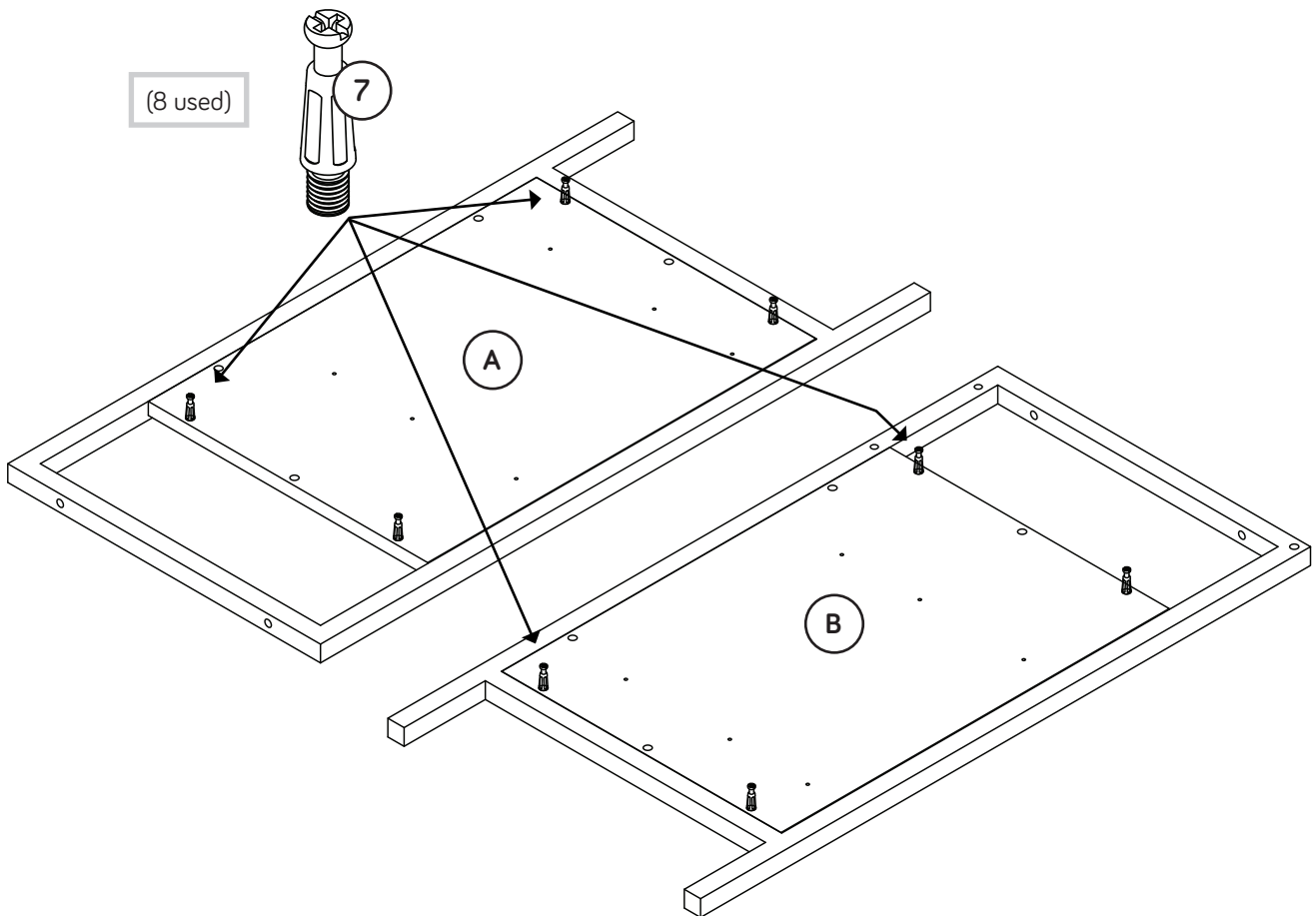


1

2

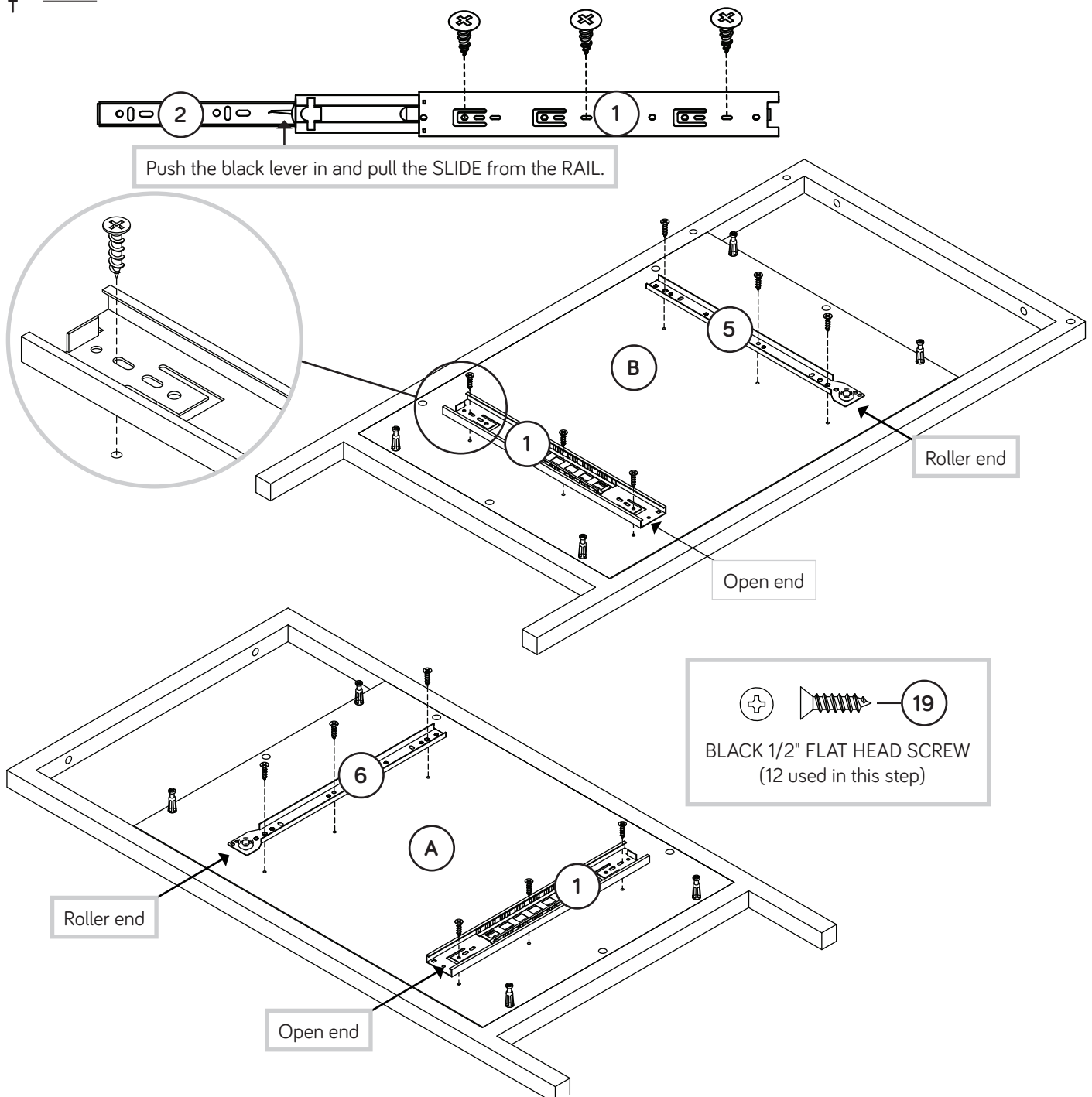
# Step 1

- ✚ Assemble your unit on a carpeted floor or on the empty carton to avoid scratching your unit or the floor.
- ✚ Turn eight CAM SCREWS (7) into the LEFT END LEG (A) and LEFT UPRIGHT LEG (B).



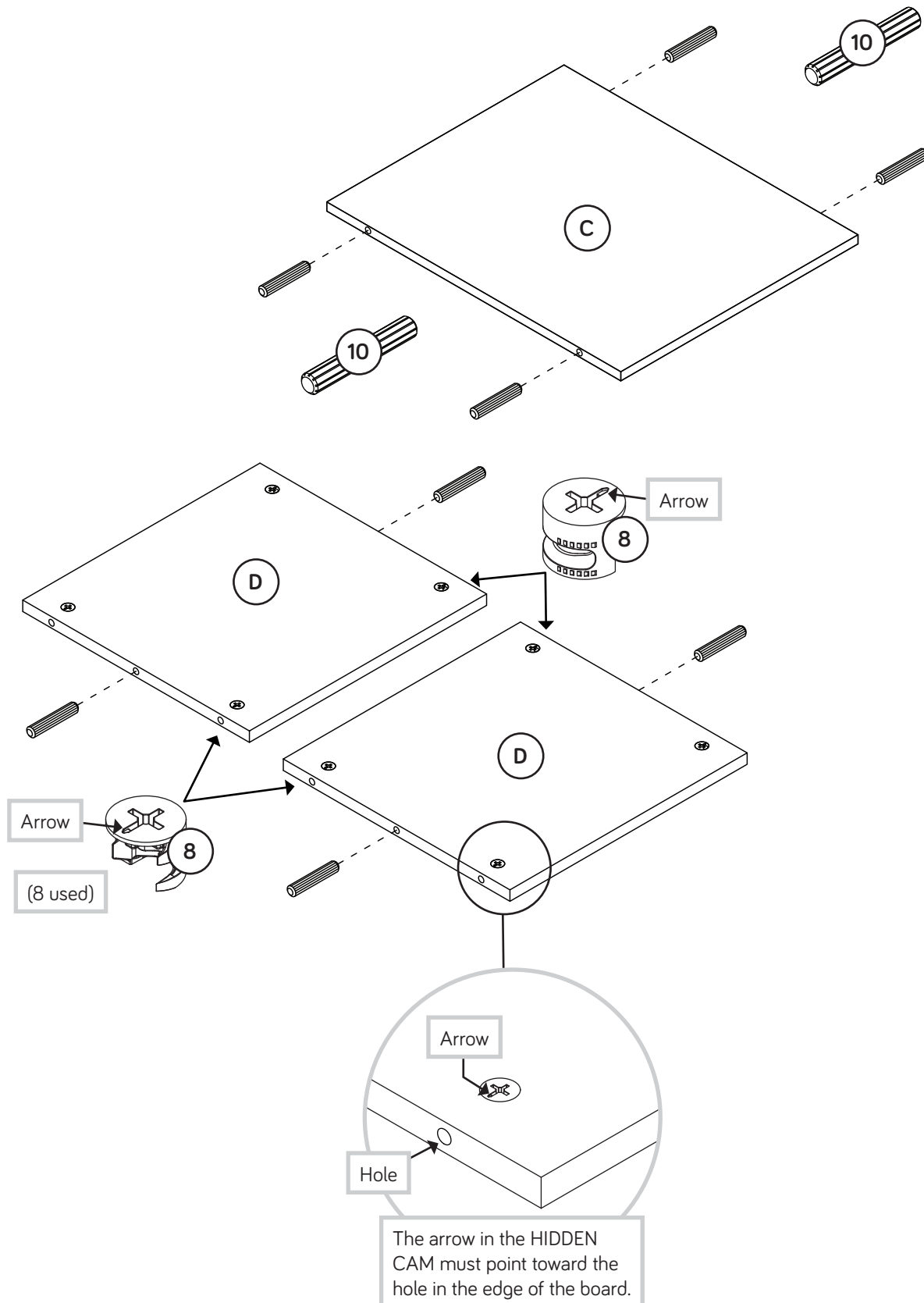
# Step 2

- Fasten the CABINET RIGHT (5) to the LEFT UPRIGHT LEG (B). Use three BLACK 1/2" FLAT HEAD SCREWS (19).
- Fasten the CABINET LEFT (6) to the LEFT END LEG (A). Use three BLACK 1/2" FLAT HEAD SCREWS (19).
- Separate the EXTENSION SLIDES (2) from the EXTENSION RAILS (1) as shown in the upper diagram below. Be prepared, the parts are greasy.
- Fasten the EXTENSION RAILS (1) to the LEFT END LEG (A) and LEFT UPRIGHT LEG (B). Use six BLACK 1/2" FLAT HEAD SCREWS (19).
- NOTE:** For each EXTENSION RAIL, turn a SCREW into the hole shown in the enlarged diagram. Then, slide the inner cartridge of the EXTENSION RAIL in to find the other holes that line up with the holes in the LEFT LEGS. Turn a SCREW into those holes.
- NOTE:** The EXTENSION SLIDES will be used later for the LARGE DRAWER.



# Step 3

- ✚ Insert eight LARGE WOOD DOWELS (10) into the edges of the BACK (C) and SHELF/BOTTOMS (D).
- ✚ Push eight HIDDEN CAMS (8) into the SHELF/BOTTOMS (D).





# Step 4

Fasten the SHELF/BOTTOMS (D) and the BACK (C) to the LEFT UPRIGHT LEG (B). Tighten four HIDDEN CAMS.

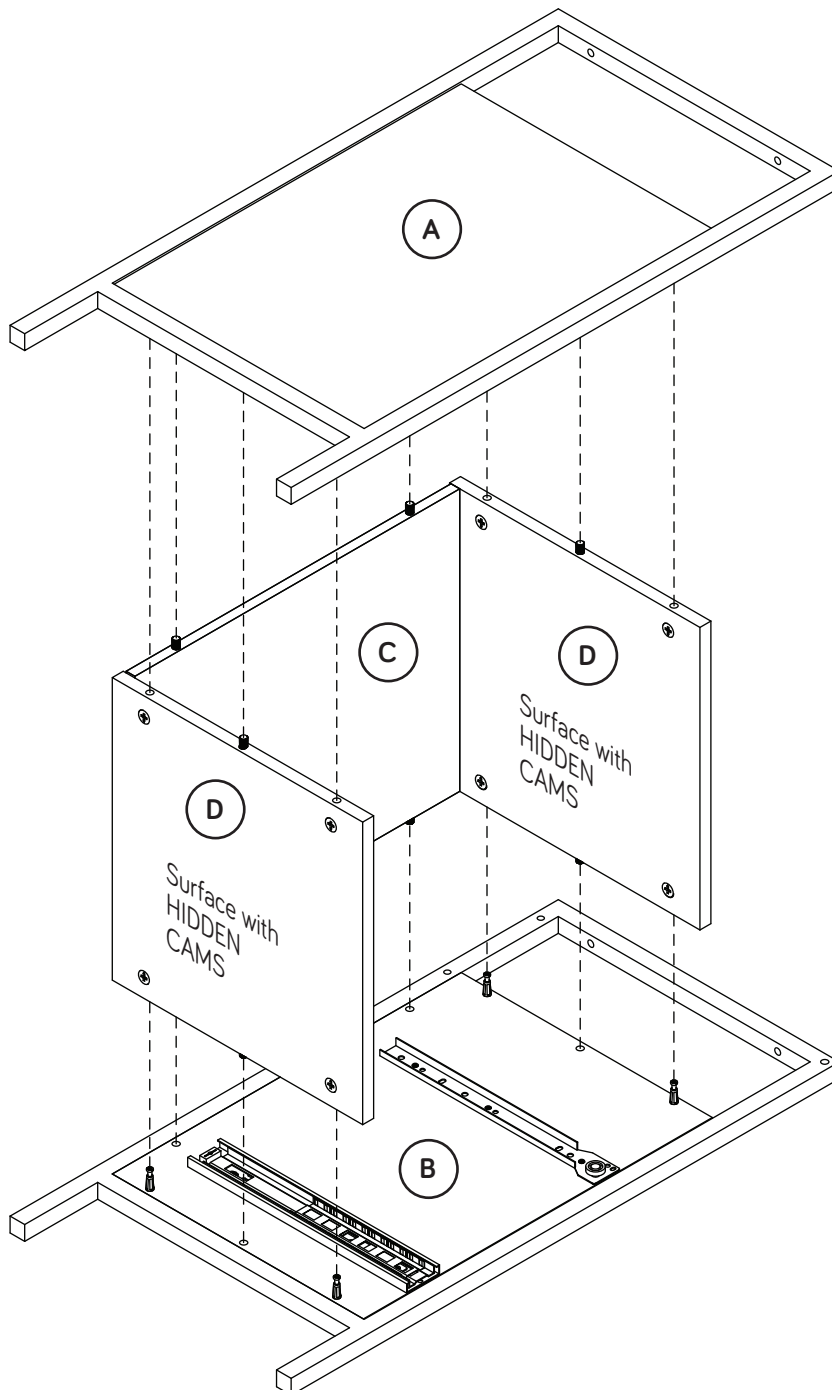
**NOTE:** Be sure the WOOD DOWELS in the SHELF/BOTTOMS and BACK (C) insert into the LEFT UPRIGHT LEG.

Fasten the LEFT END LEG (A) to the BACK (C) and SHELF/BOTTOMS (D). Tighten four HIDDEN CAMS.

**NOTE:** Be sure the WOOD DOWELS in the SHELF/BOTTOMS and BACK insert into the LEFT END LEG.

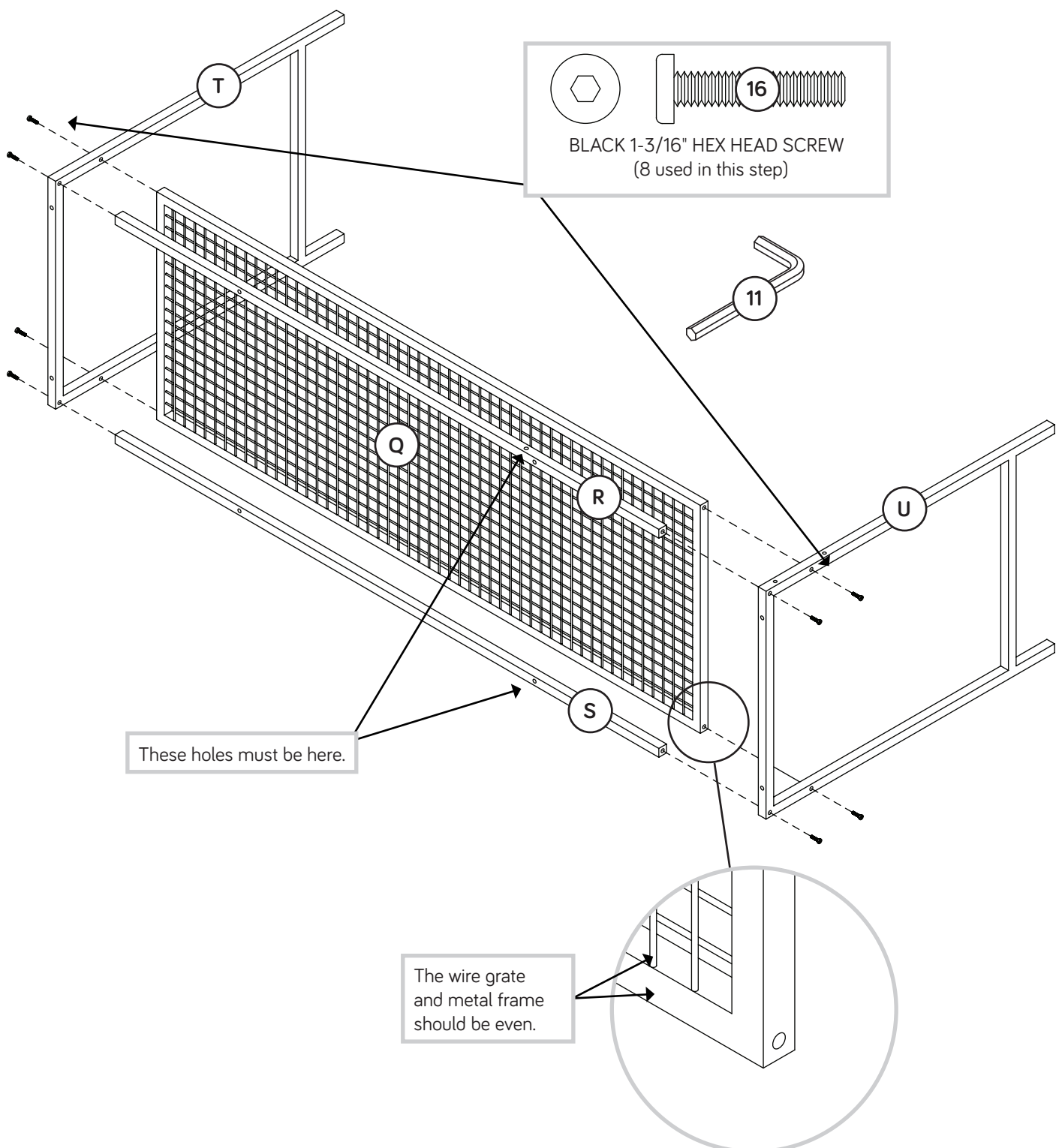


Some assembly  
(and snacks) required.



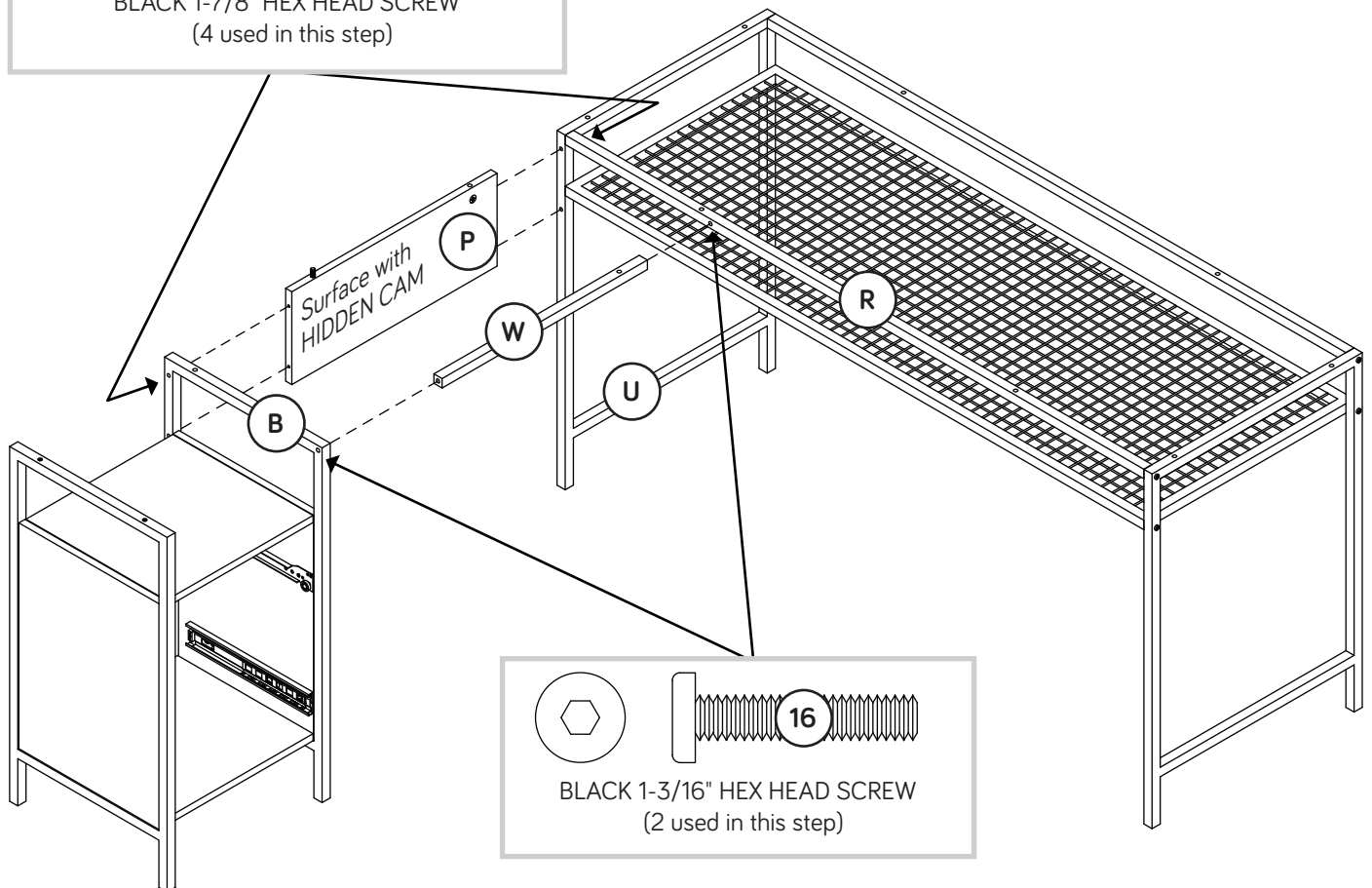
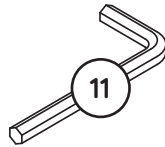
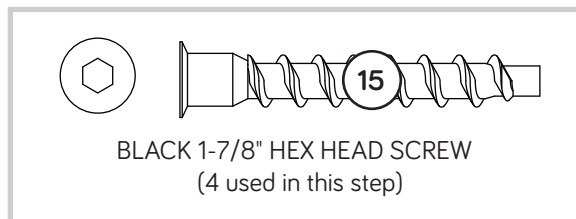
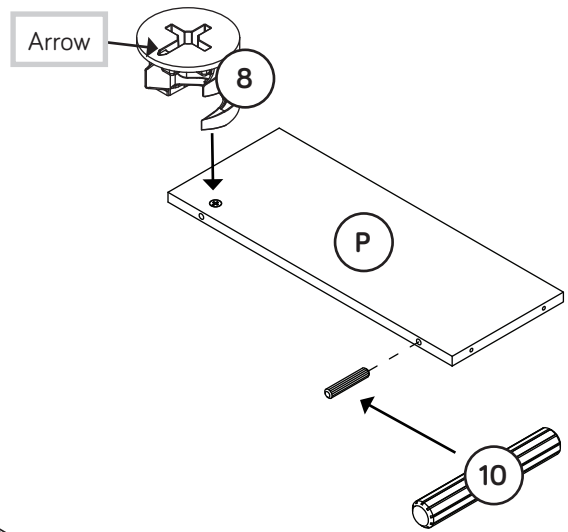
# Step 5

- Fasten the LEGS (T and U) to the WIRE SHELF (Q).  
Tighten four BLACK 1-3/16" HEX HEAD SCREWS (16) using the L-WRENCH (11).
- Fasten the LONG BRACES (R and S) to the LEGS (T and U).  
Tighten four BLACK 1-3/16" HEX HEAD SCREWS (16) using the L-WRENCH (11).



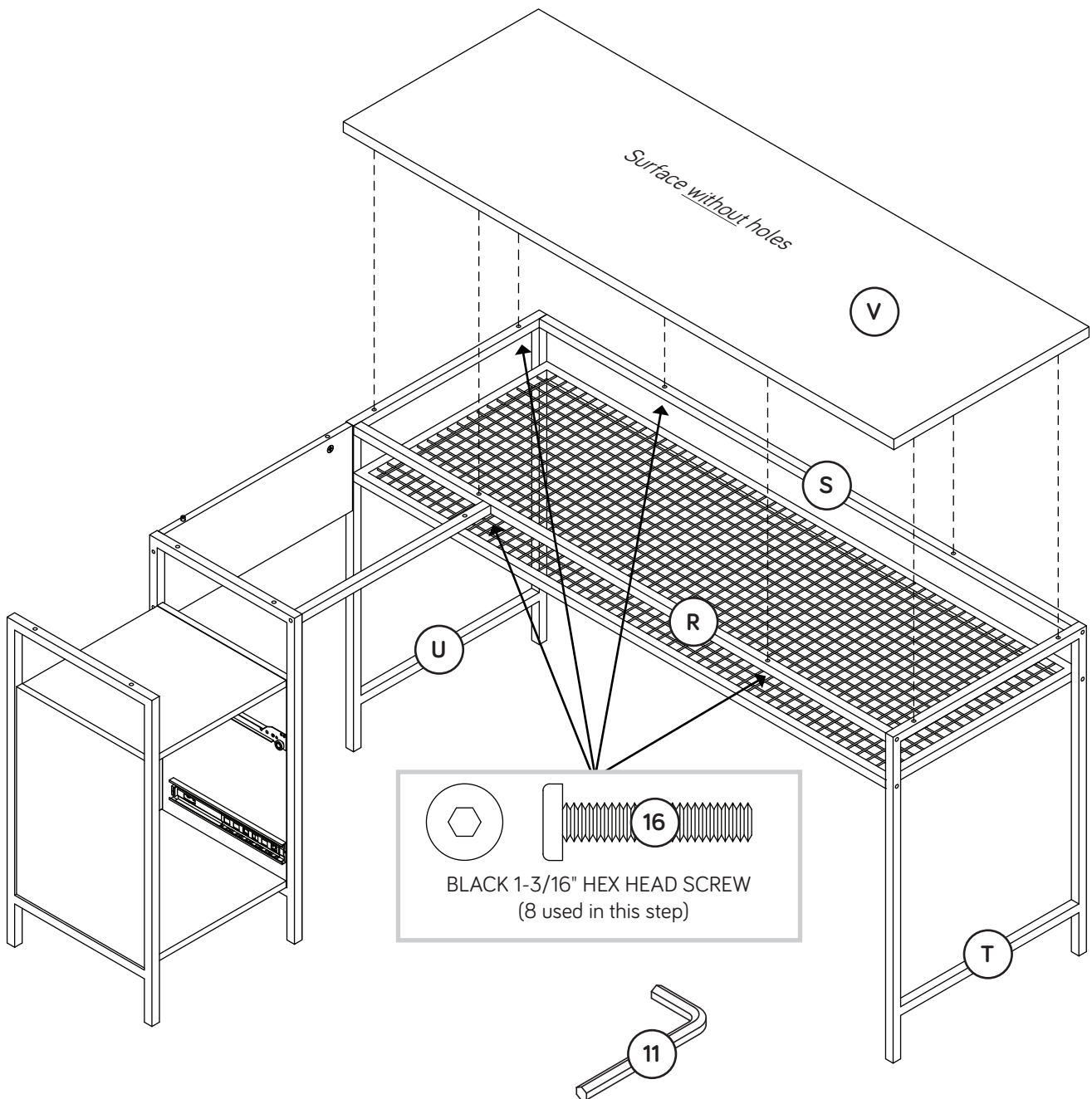
# Step 6

- ✚ Carefully stand your unit upright.
- ✚ Insert a LARGE WOOD DOWEL (10) into the exact hole shown in the BRACE (P).
- ✚ Push a HIDDEN CAM (8) into the BRACE (P).
- ✚ Fasten the BRACE (P) to the REAR LEG (U). Tighten two BLACK 1-7/8" HEX HEAD SCREWS (15) using the L-WRENCH (11).
- ✚ Fasten the LEFT UPRIGHT LEG (B) to the BRACE (P). Tighten two BLACK 1-7/8" HEX HEAD SCREWS (15) using the L-WRENCH (11).
- ✚ Fasten the SHORT BRACE (W) to the FRONT LONG BRACE (R) and LEFT UPRIGHT LEG (B). Tighten two BLACK 1-3/16" HEX HEAD SCREWS (16) using the L-WRENCH (11).



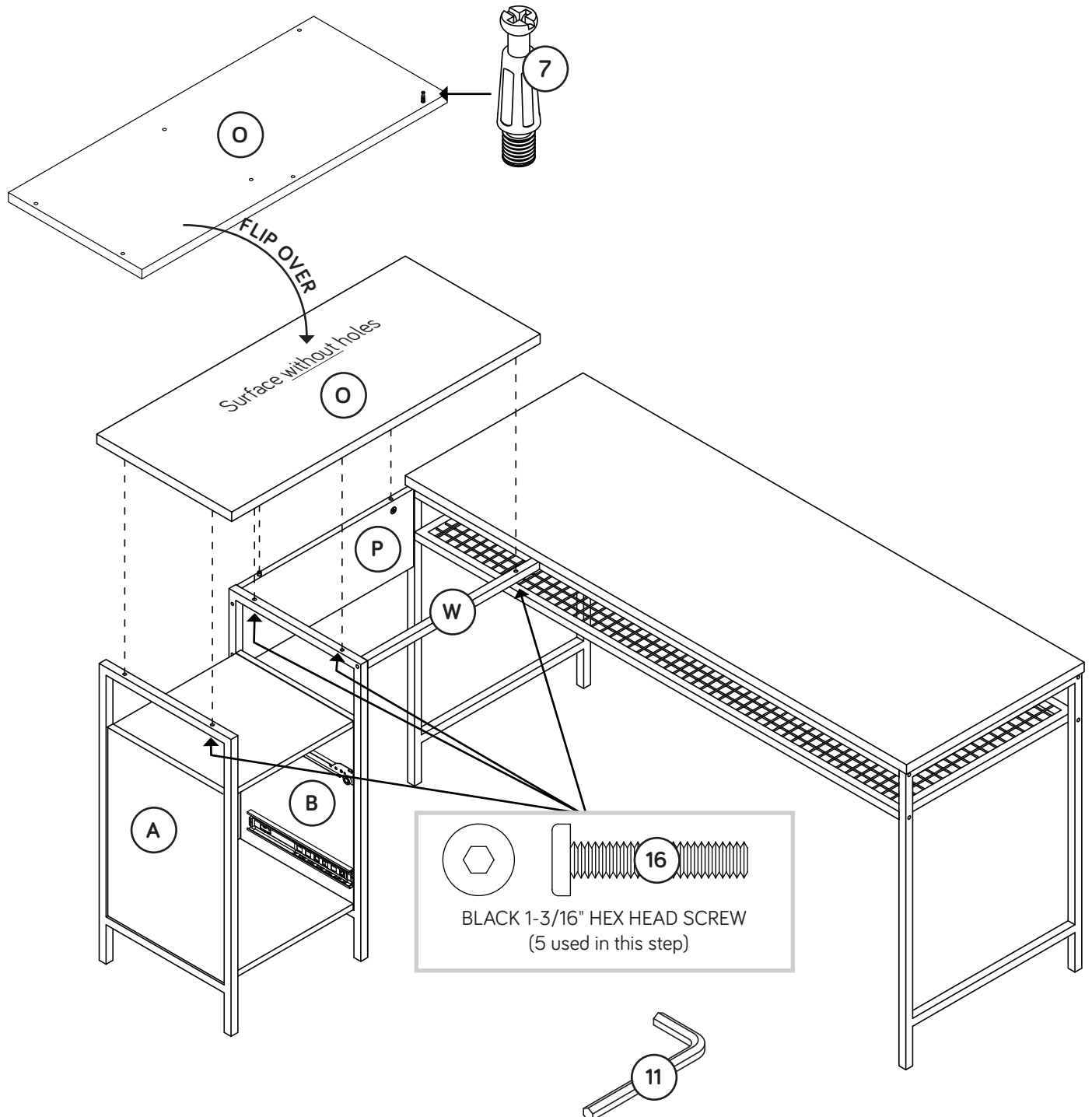
# Step 7

- Fasten the LARGE TOP (V) to the LONG BRACES (R and S) and LEGS (T and U). Tighten eight BLACK 1-3/16" HEX HEAD SCREWS (16) using the L-WRENCH (11).



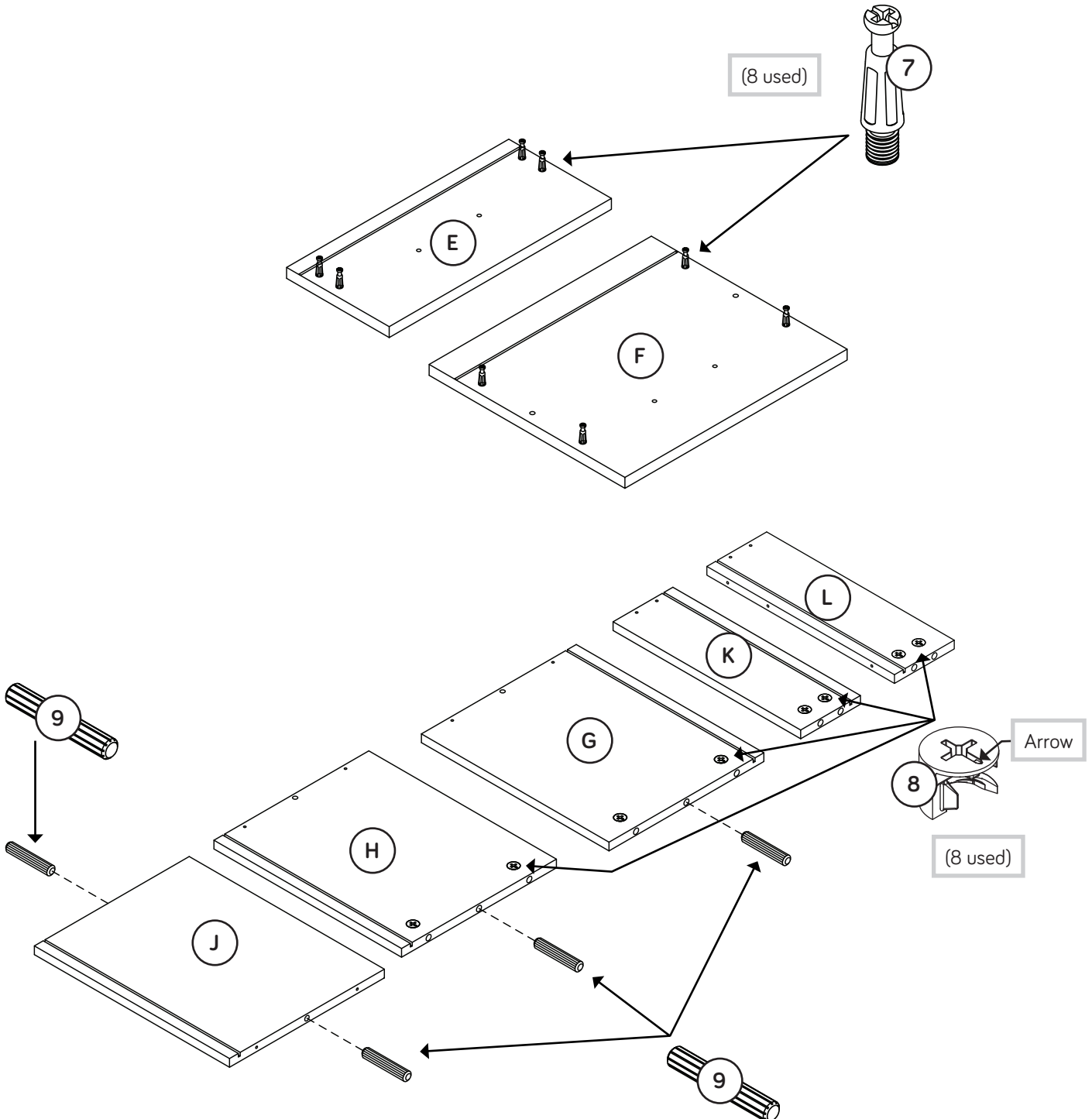
# Step 8

- ✚ Turn a CAM SCREW (7) into the SMALL TOP (O).
- ✚ Flip the SMALL TOP over and fasten it to the LEGS (A and B), SHORT BRACE (W) and BRACE (P). Tighten the HIDDEN CAM in the BRACE. Tighten five BLACK 1-3/16" HEX HEAD SCREWS (16) using the L-WRENCH (11).
- ✚ **NOTE:** Be sure the WOOD DOWEL in the BRACE inserts into the SMALL TOP.



# Step 9

- ✚ Turn eight CAM SCREWS (7) into the DRAWER FRONTS (E and F).
- ✚ Insert four SMALL WOOD DOWELS (9) into the edges of the LARGE DRAWER SIDE (G and H) and LARGE DRAWER BACK (J).
- ✚ Push eight HIDDEN CAMS (8) into the DRAWER SIDES (G, H, K, and L).

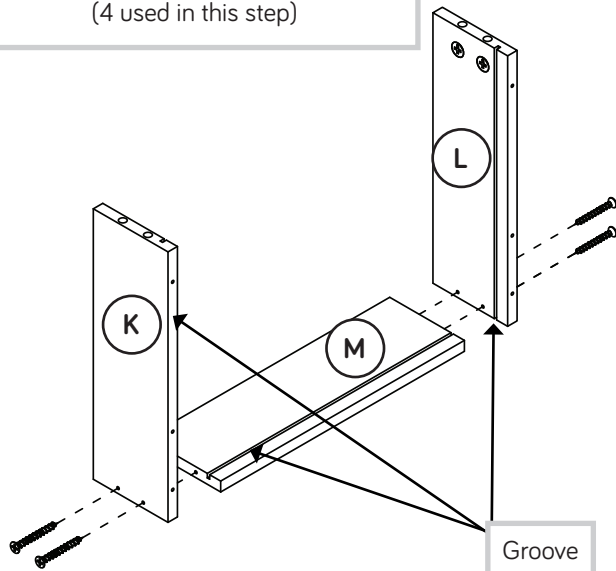


# Step 10

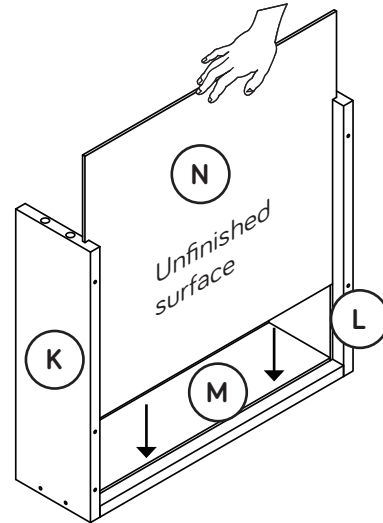
1



BLACK 1-3/16" FLAT HEAD SCREW  
(4 used in this step)



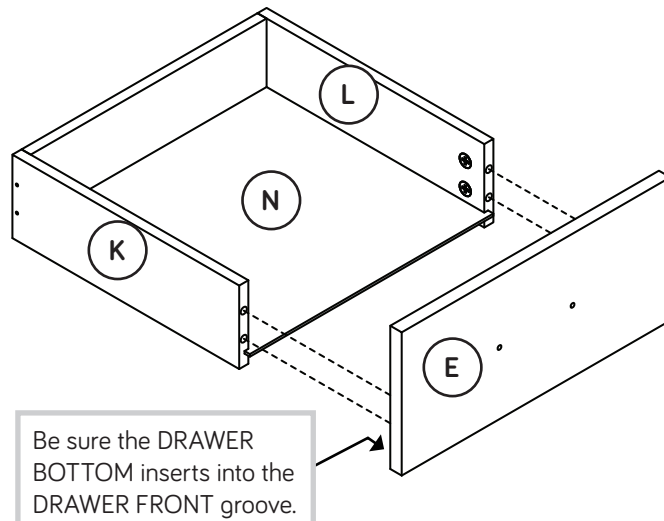
2



Fasten the SMALL DRAWER SIDES (K and L) to the SMALL DRAWER BACK (M). Use four BLACK 1-3/16" FLAT HEAD SCREWS (17).

Slide a DRAWER BOTTOM (N) into the grooves in the SMALL DRAWER SIDES (K and L) and SMALL DRAWER BACK (M).

3

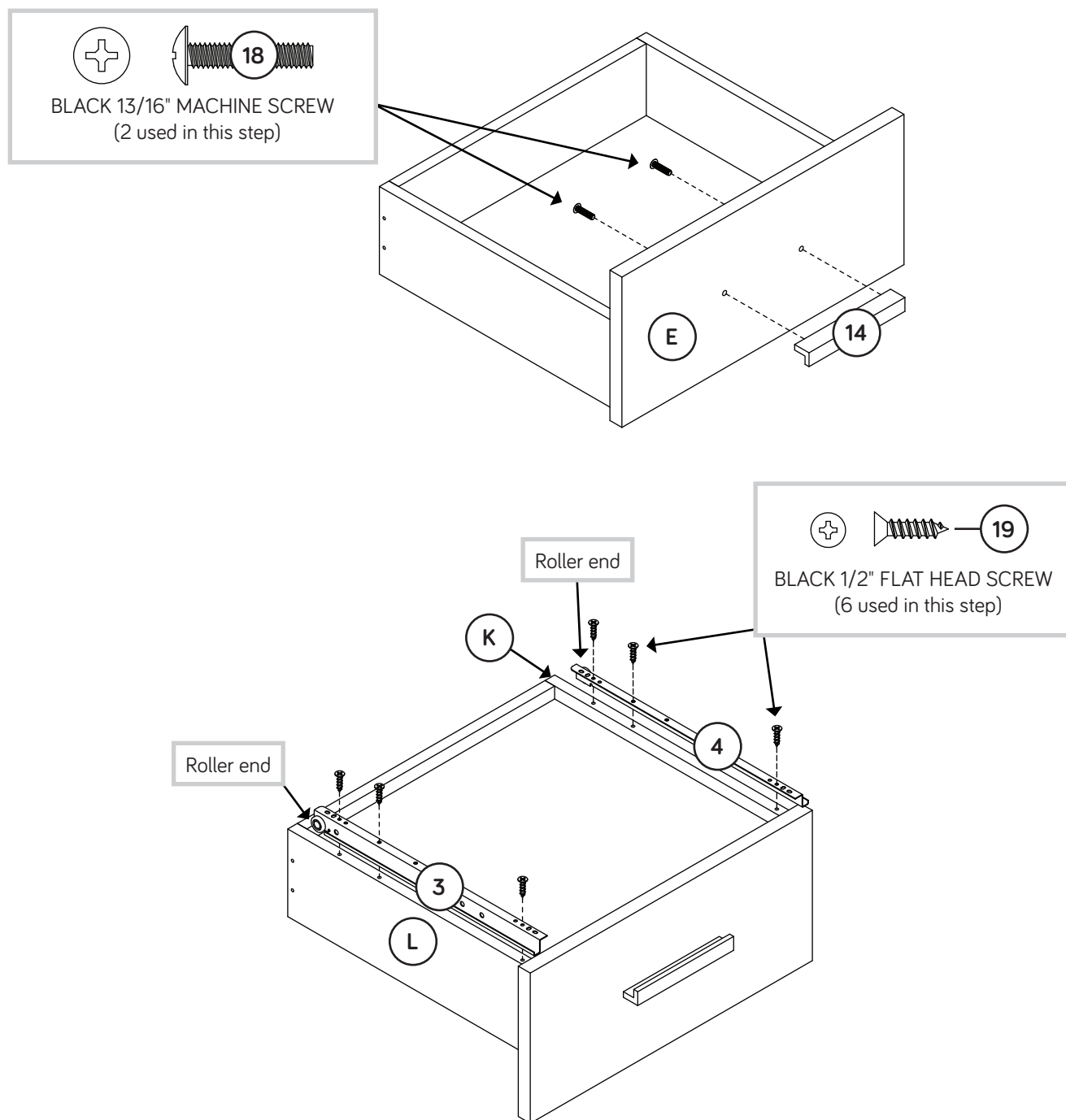


Fasten the SMALL DRAWER FRONT (E) to the SMALL DRAWER SIDES (K and L). Tighten four HIDDEN CAMS.

**NOTE:** Be sure the DRAWER BOTTOM (N) inserts into the groove of the SMALL DRAWER FRONT (E).

# Step 11

- Fasten a PULL (14) to the SMALL DRAWER FRONT (E). Use two BLACK 13/16" MACHINE SCREWS (18).
- Flip the SMALL DRAWER over. Fasten the DRAWER RIGHT (3) to the SMALL RIGHT DRAWER SIDE (L) and the DRAWER LEFT (4) to the SMALL LEFT DRAWER SIDE (K). Use six BLACK 1/2" FLAT HEAD SCREWS (19).



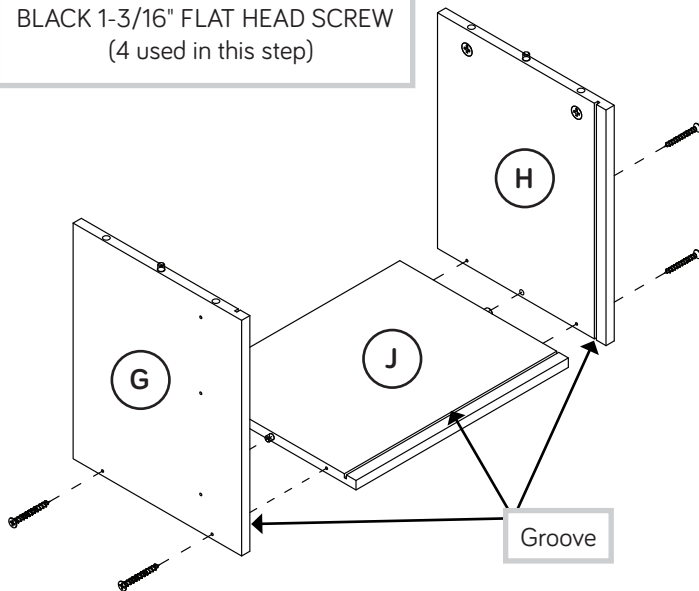


# Step 12

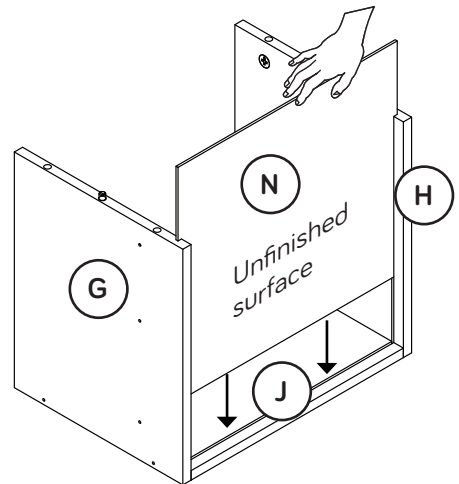
1



BLACK 1-3/16" FLAT HEAD SCREW  
(4 used in this step)



2

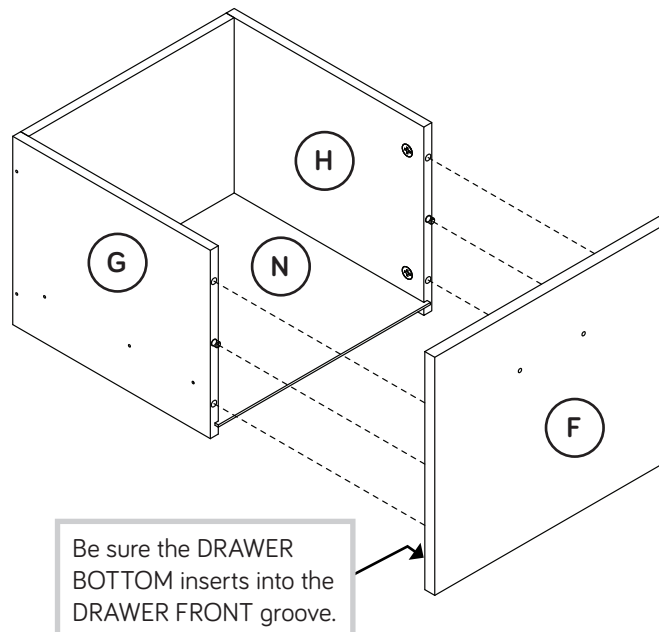


⚡ Fasten the LARGE DRAWER SIDES (G and H) to the LARGE DRAWER BACK (J). Use four BLACK 1-3/16" FLAT HEAD SCREWS (17).

⚡ NOTE: Be sure the WOOD DOWELS in the LARGE DRAWER BACK inserts into the holes in the LARGE DRAWER SIDES.

⚡ Slide a DRAWER BOTTOM (N) into the grooves in the LARGE DRAWER SIDES (G and H) and LARGE DRAWER BACK (J).

3



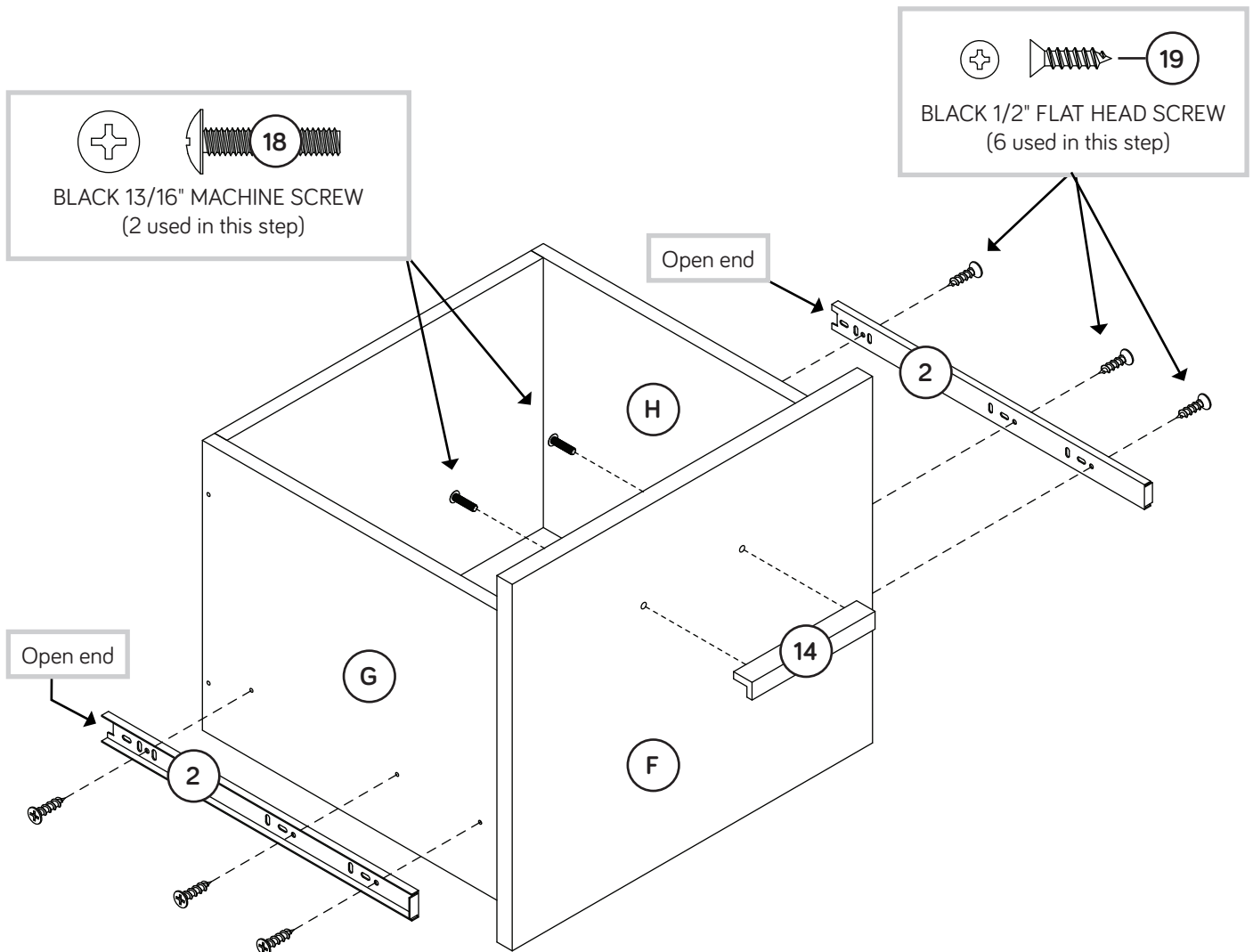
⚡ Fasten the LARGE DRAWER FRONT (F) to the LARGE DRAWER SIDES (G and H). Tighten four HIDDEN CAMS.

⚡ NOTE: Be sure the DRAWER BOTTOM (N) inserts into the groove of the LARGE DRAWER FRONT (F).

⚡ NOTE: Be sure the WOOD DOWELS in the LARGE DRAWER SIDES insert into the LARGE DRAWER FRONT.

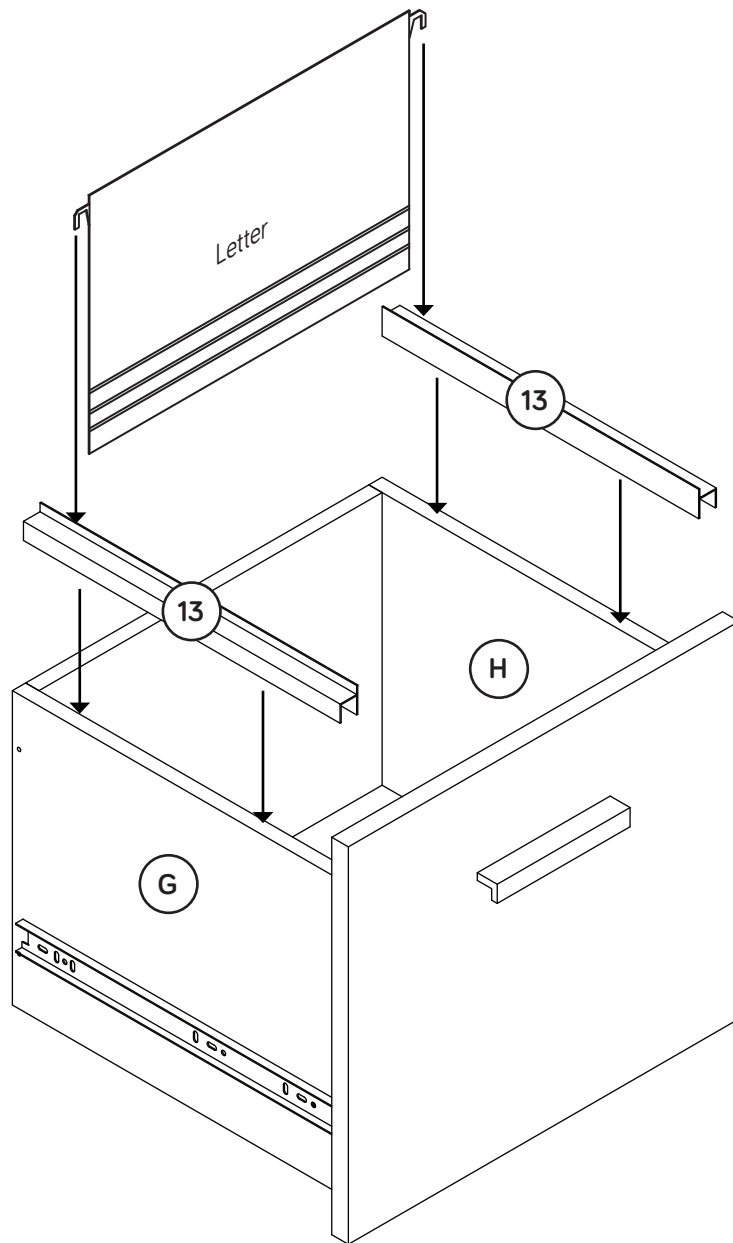
# Step 13

- Fasten a PULL (14) to the LARGE DRAWER FRONT (F). Use two BLACK 13/16" MACHINE SCREWS (18).
- Fasten the EXTENSION SLIDES (2) to the LARGE DRAWER SIDES (G and H). Use six BLACK 1/2" FLAT HEAD SCREWS (19).



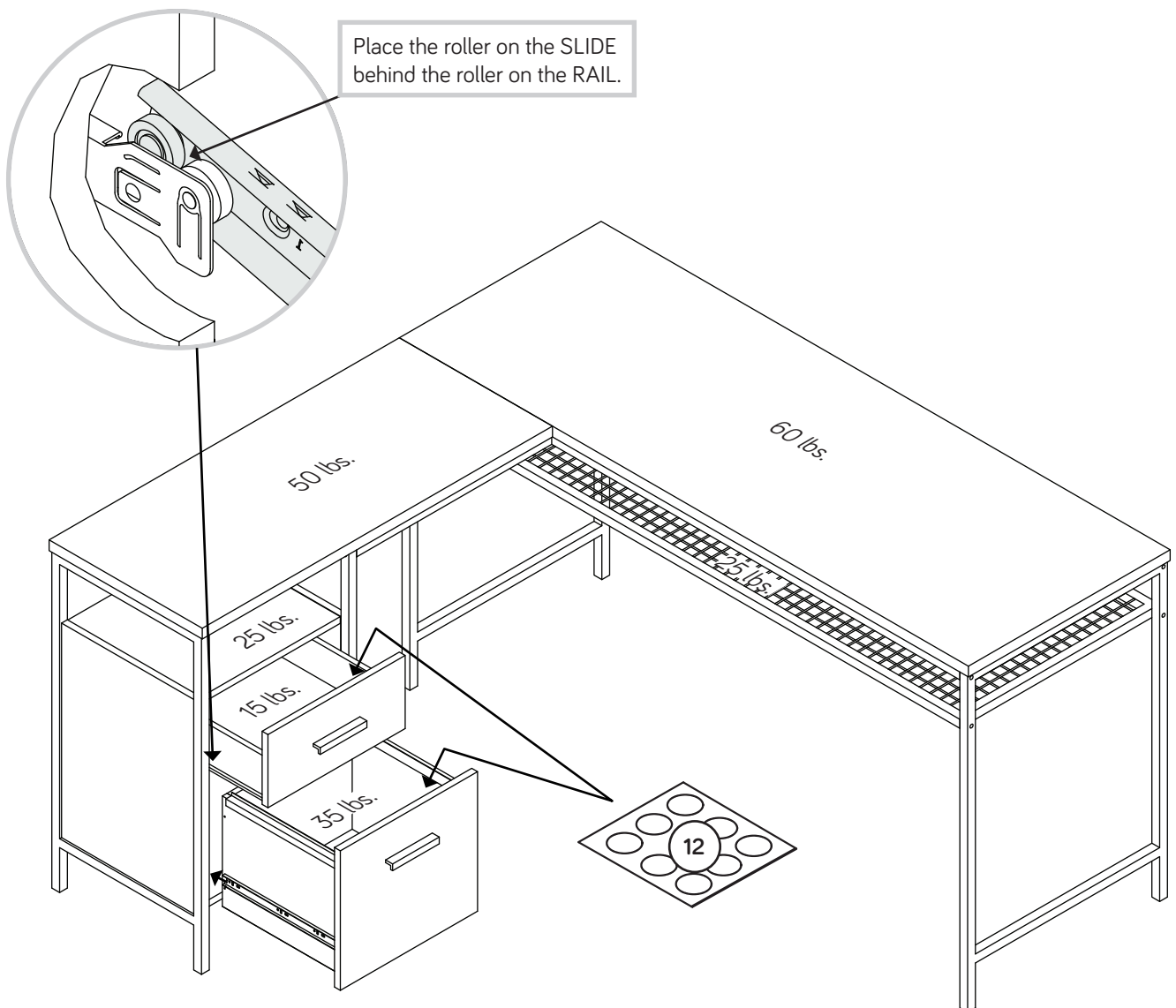
# Step 14

- ✚ Push two FILE GLIDES (13) onto the top edges of the LARGE DRAWER SIDES (G and H).
- ✚ NOTE: This drawer is designed to hold letter size hangers.



# Step 15

- ✦ To insert the small drawer into your unit, tip the front of the drawer down and drop the rollers on the drawer behind the rollers on the unit. Lift the front of the drawer up and slide it into the unit.
- ✦ To insert the large drawer into your unit, line up the EXTENSION SLIDES on the drawer with the EXTENSION RAILS on the unit and push the drawer into the unit until the drawer is fully inserted. The drawer will push in hard until it is all the way in, then it will slide in and out easier.
- ✦ Peel APPLIQUES from the APPLIQUE CARD (12) and stick them onto each visible HIDDEN CAM.
- ✦ **NOTE:** Please read the back pages of the instruction booklet for important safety information.
- ✦ This completes assembly. Clean with a damp cloth. Wipe dry.



**⚠ WARNING**

Please use your furniture correctly and safely. Improper use can cause safety hazards, or damage to your furniture or household items. **Carefully read the following chart.**

Look out for:	What can happen:	How to avoid the problem:
<ul style="list-style-type: none"><li>• Overloaded shelves or drawers.</li><li>• Improper loading can cause the product to be top-heavy.</li></ul>	<ul style="list-style-type: none"><li>• Risk of injury.</li><li>• Top-heavy furniture can tip over.</li><li>• Overloaded shelves and drawers can break.</li></ul>	<ul style="list-style-type: none"><li>• Never exceed the weight limits shown in the instructions.</li><li>• Work from bottom to top when loading shelves and drawers. Place the heavier items on the lower shelves or in lower drawers.</li></ul>
<ul style="list-style-type: none"><li>• Improperly moving furniture that is not designed and equipped with casters.</li></ul>	<ul style="list-style-type: none"><li>• Furniture can tip over or break if improperly moved.</li><li>• Physical injury. Furniture can be very heavy.</li><li>• Breakage of tops - particularly with double pedestal furniture (drawers at both ends).</li></ul>	<ul style="list-style-type: none"><li>• Unload shelves and drawers from top to bottom before moving the unit.</li><li>• Do not push furniture, especially on a carpeted floor. Have a friend help you lift the item and set it in place.</li><li>• Provide support to the center section of the top when lifting the furniture.</li></ul>
<ul style="list-style-type: none"><li>• Placing TVs on furniture items that are not designed to support a television is hazardous.</li></ul>	<ul style="list-style-type: none"><li>• Risk of injury or death. TVs can be very heavy. Plus the weight and location of the picture tube tends to make TVs unbalanced and prone to tipping forward.</li></ul>	<ul style="list-style-type: none"><li>• This product is not designed to support a television.</li></ul>