

The **stories** of your life.

Wide Bookcase

Hampstead Park Collection | **Model 5420282**

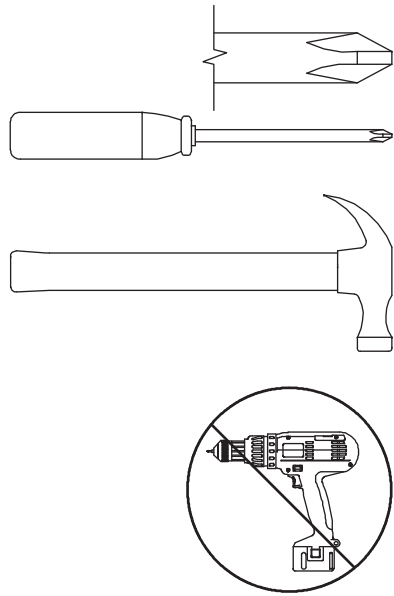
NOTE: THIS INSTRUCTION BOOKLET CONTAINS **IMPORTANT** SAFETY INFORMATION.

PLEASE READ AND KEEP FOR FUTURE REFERENCE.

Table of Contents

Assembly Tools Required

Part Identification	3
Hardware Identification	4
Assembly Steps	5-18
Français	19-21
Español	22-24
Safety	25-26
Warranty	27



No. 2 Phillips Screwdriver
Tip Shown Actual Size

Hammer
Not actual size 😊

Skip the power trip.
This time.

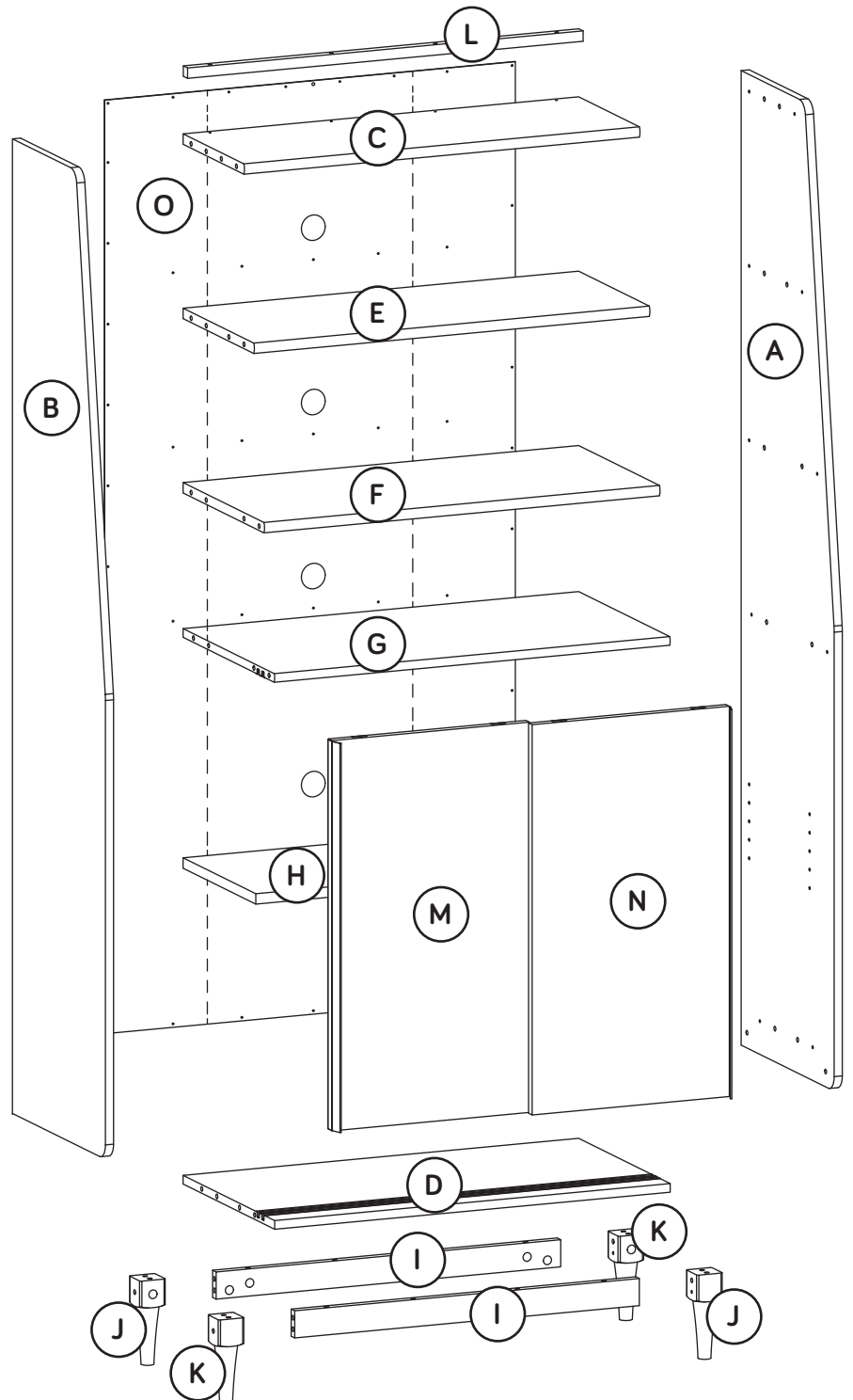
Part Identification

Now you know
our ABCs.



↑ While not all parts are labeled, some of the parts will have a label or an inked letter on the edge to help distinguish similar parts from each other. Use this part identification to help identify similar parts.

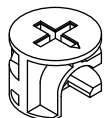
A	RIGHT END (1)
B	LEFT END (1)
C	TOP (1)
D	BOTTOM (1)
E	UPPER SHELF (1)
F	MIDDLE SHELF (1)
G	LOWER SHELF (1)
H	ADJUSTABLE SHELF (1)
I	SKIRT (2)
J	RIGHT FRONT/LEFT REAR FOOT (2)
K	LEFT FRONT/RIGHT REAR FOOT (2)
L	TOP MOLDING (1)
M	LEFT DOOR (1)
N	RIGHT DOOR (1)
O	BACK (1)



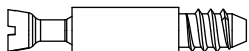
Hardware Identification

† Screws are shown actual size. You may receive extra hardware with your unit.

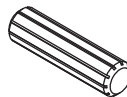
1 HIDDEN CAM - 32



2 CAM SCREW - 32



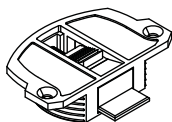
3 LONG WOOD DOWEL - 32



4 SHORT WOOD DOWEL - 4



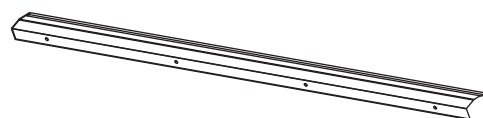
5 UPPER GUIDE - 4



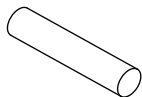
6 LOWER GUIDE - 4



7 DOOR HANDLE - 2



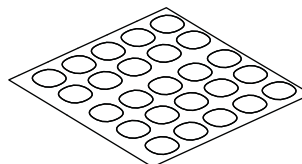
8 METAL PIN - 4



9 RUBBER SLEEVE - 4



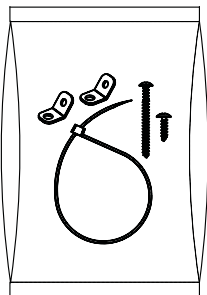
10 APPLIQUE CARD - 1



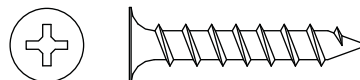
11 NAIL - 53



99 FURNITURE TIPPING RESTRAINT KIT - 1



12 BLACK 1-1/4" FLAT HEAD SCREW - 4



13 BLACK 1/2" PAN HEAD SCREW - 8

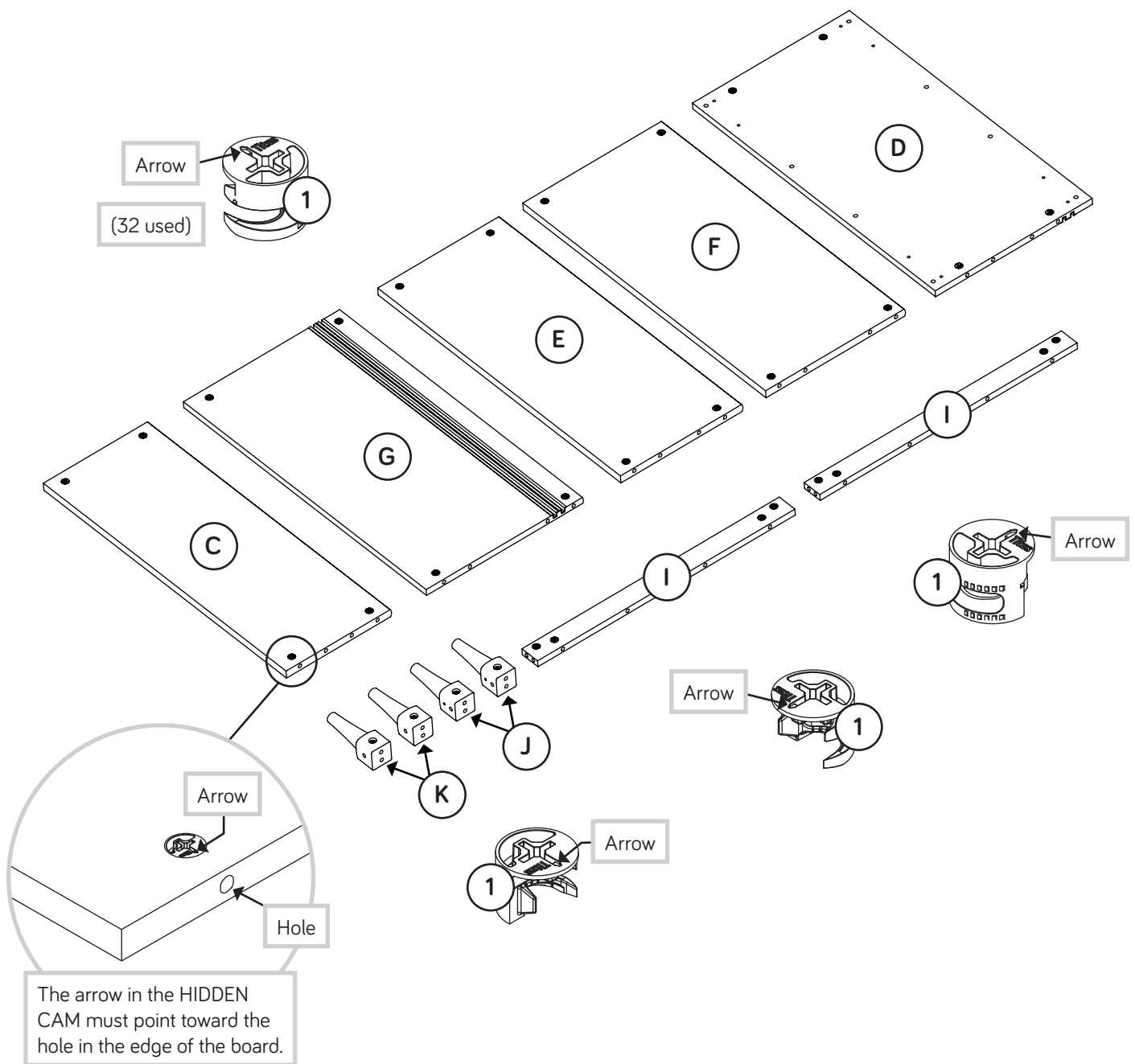


14 BLACK 1/2" FLAT HEAD SCREW - 16



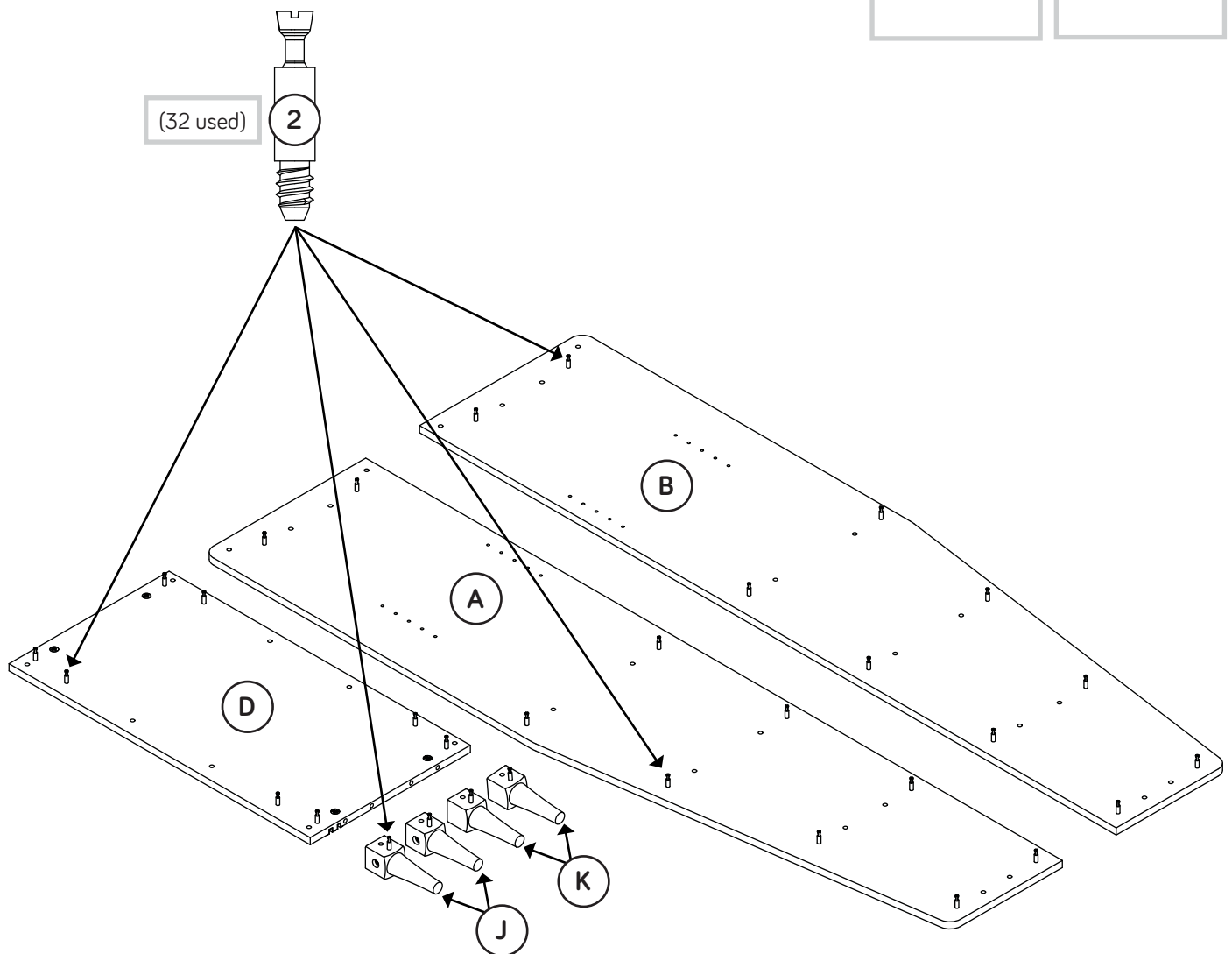
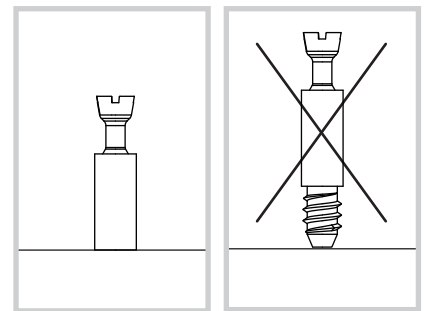
Step 1

- ✚ Assemble your unit on a carpeted floor or on the empty carton to avoid scratching your unit or the floor.
- ✚ Push thirty-two HIDDEN CAMS (1) into the TOP (C), BOTTOM (D), SHELVES (E, F, and G), SKIRTS (I), and FEET (J and K).



Step 2

Turn thirty-two CAM SCREWS (2) into the exact holes shown in the ENDS (A and B), BOTTOM (D), and FEET (J and K).

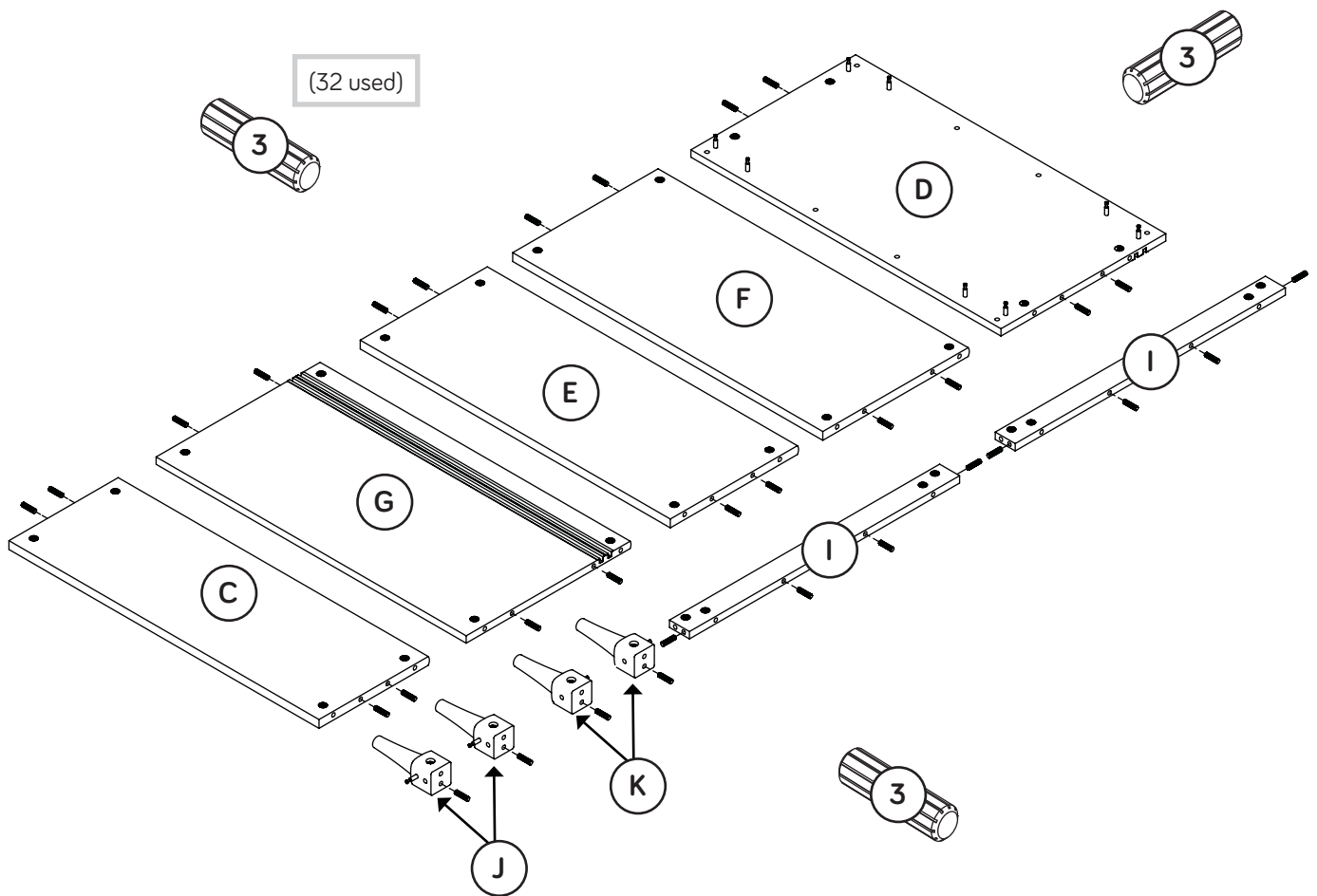


Step 3

✚ Insert thirty-two LARGE WOOD DOWELS (3) into the exact holes shown in the edges of the ENDS (A and B), TOP (C), BOTTOM (D), SHELVES (E, F, and G), SKIRTS (I), and FEET (J and K).



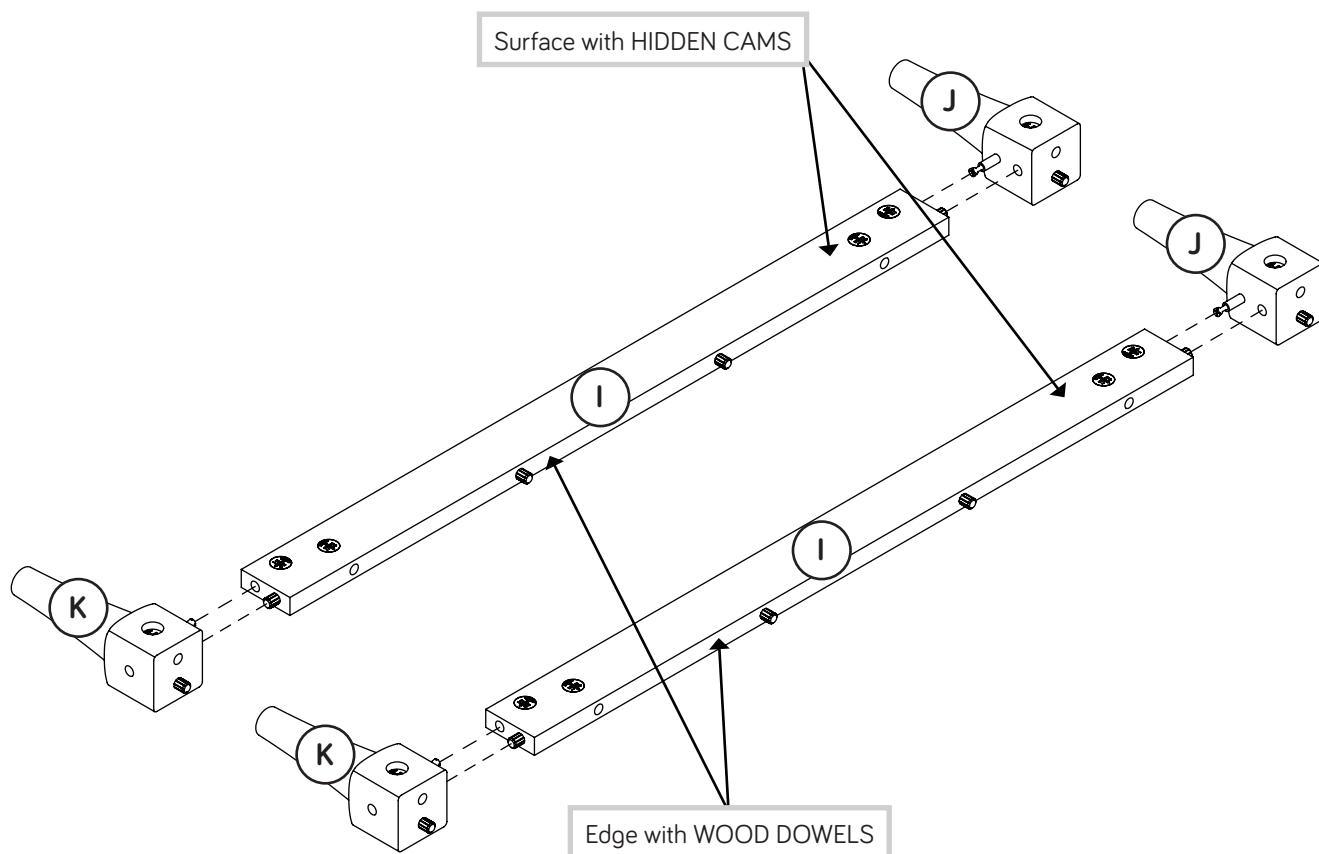
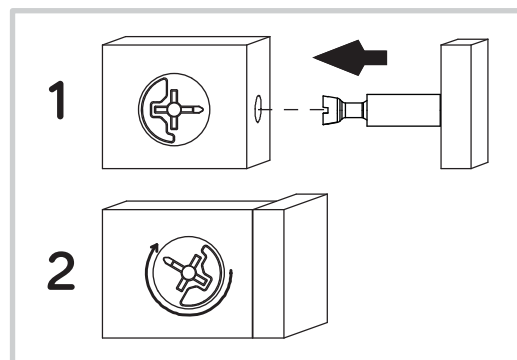
Some assembly (and snacks) required.



Step 4

🔩 Fasten the SKIRTS (I) to the FEET (J and K). Tighten four HIDDEN CAMS.

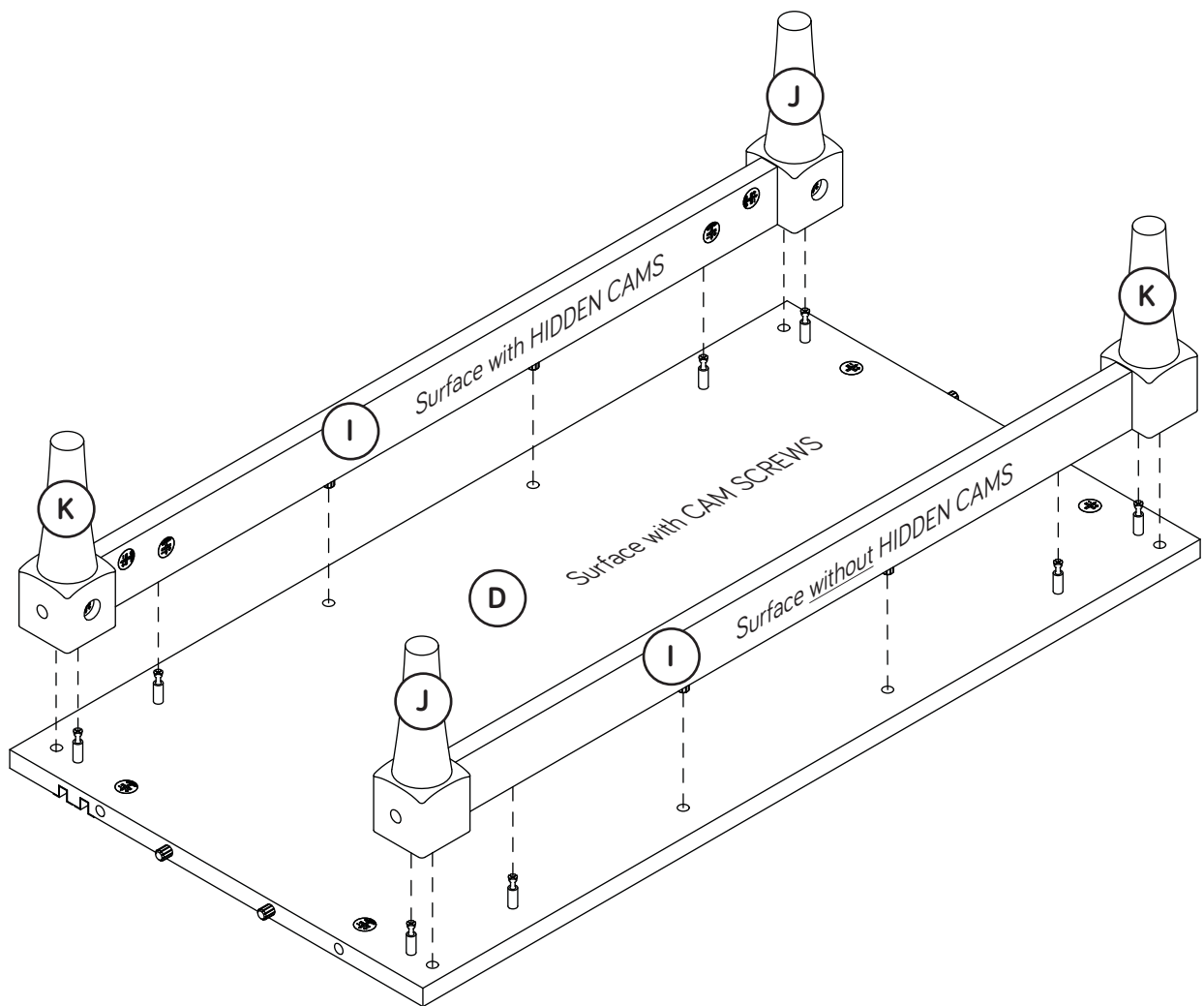
🔩 **NOTE:** Be sure the WOOD DOWELS in the SKIRTS insert into the FEET.



Step 5

✚ Fasten the SKIRTS (I) and FEET (J and K) to the BOTTOM (D).
Tighten eight HIDDEN CAMS.

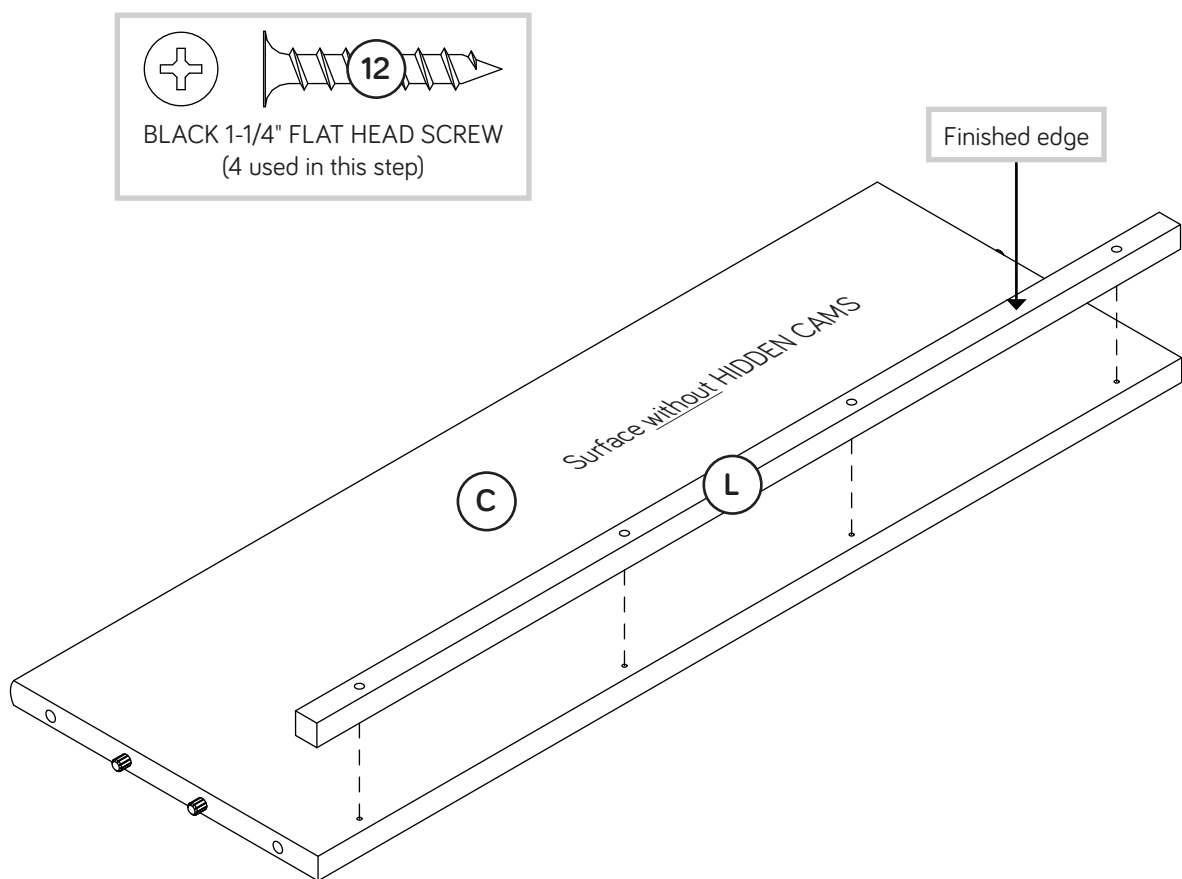
✚ **NOTE:** Be sure the WOOD DOWELS in the SKIRTS and FEET
insert into the BOTTOM.



Step 6

Fasten the TOP MOLDING (L) to the TOP (C). Use four BLACK 1-1/4" FLAT HEAD SCREWS (12).

NOTE: Do not over tighten the SCREWS into the TOP.

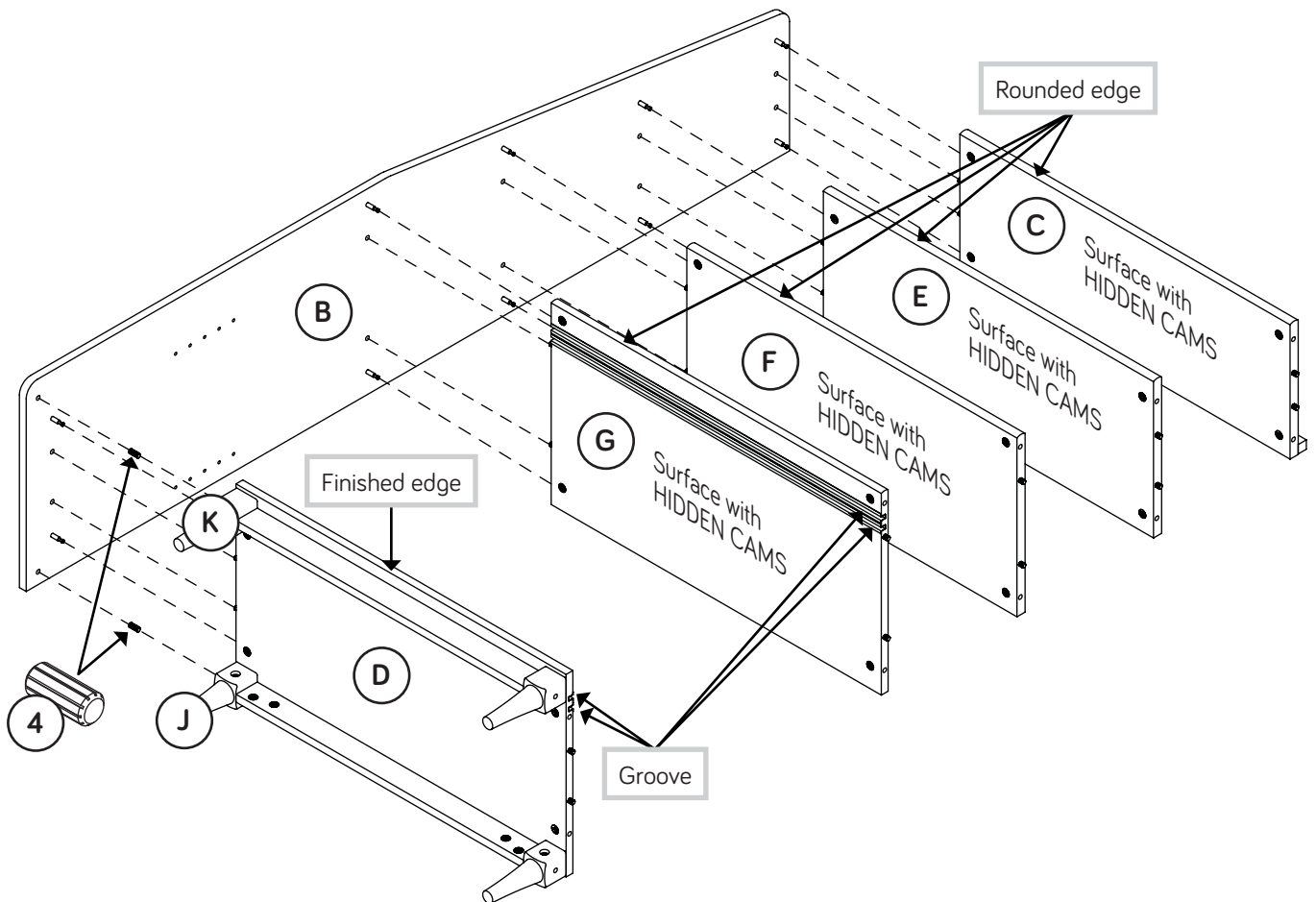


Step 7

- ✚ Insert two SMALL WOOD DOWELS (4) into the FEET (J and K).
- ✚ Fasten the LEFT END (B) to the TOP (C), BOTTOM (D), and SHELVES (E, F, and G). Tighten ten HIDDEN CAMS.
- ✚ NOTE: Be sure the WOOD DOWELS in the TOP, BOTTOM, SHELVES, and FEET insert into the LEFT END.

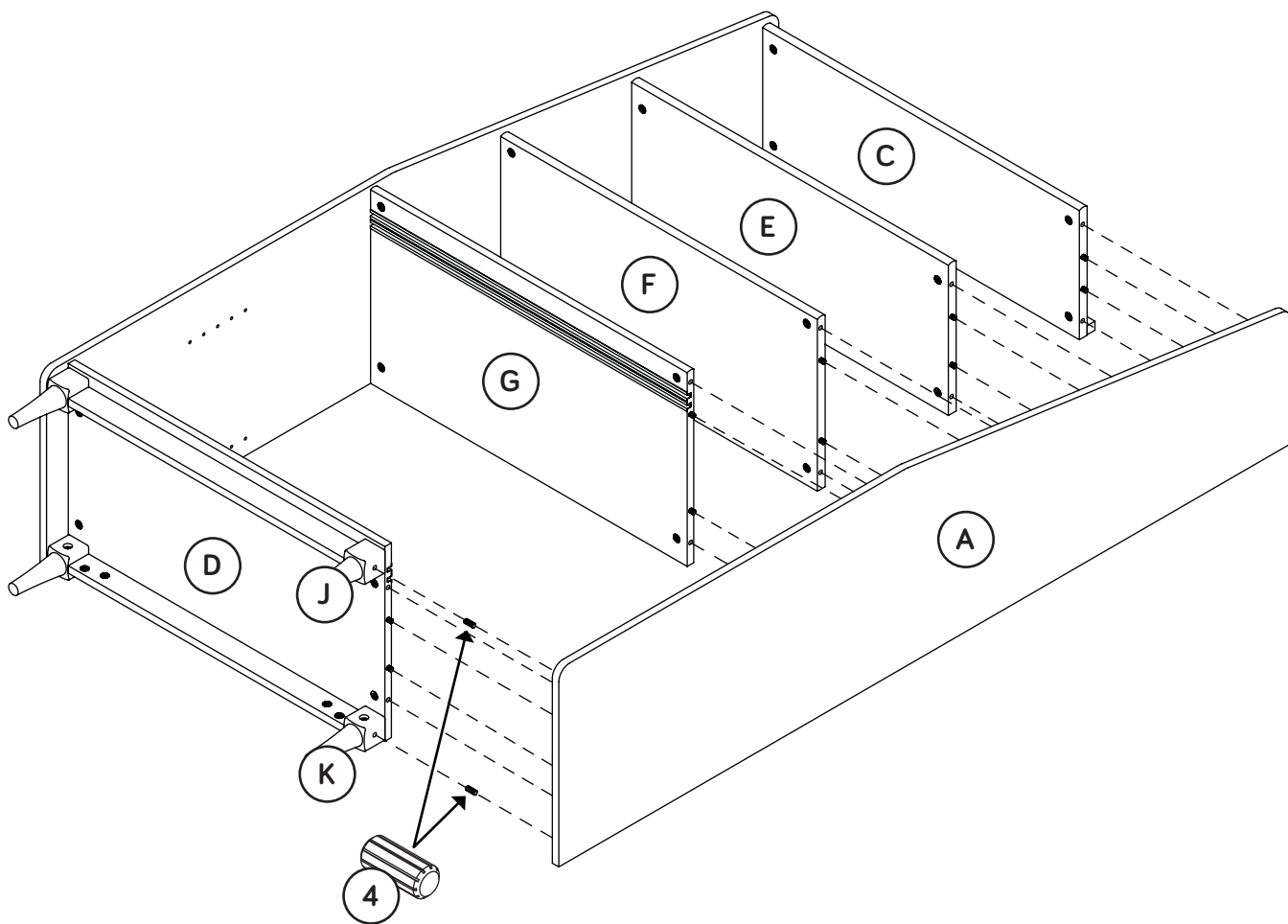


If you're doing this to help a friend, don't leave without a bite.



Step 8

- ✚ Insert two SMALL WOOD DOWELS (4) into the FEET (J and K).
- ✚ Fasten the RIGHT END (A) to the TOP (C), BOTTOM (D), and SHELVES (E, F, and G). Tighten ten HIDDEN CAMS.
- ✚ NOTE: Be sure the WOOD DOWELS in the TOP, BOTTOM, SHELVES, and FEET insert into the RIGHT END.

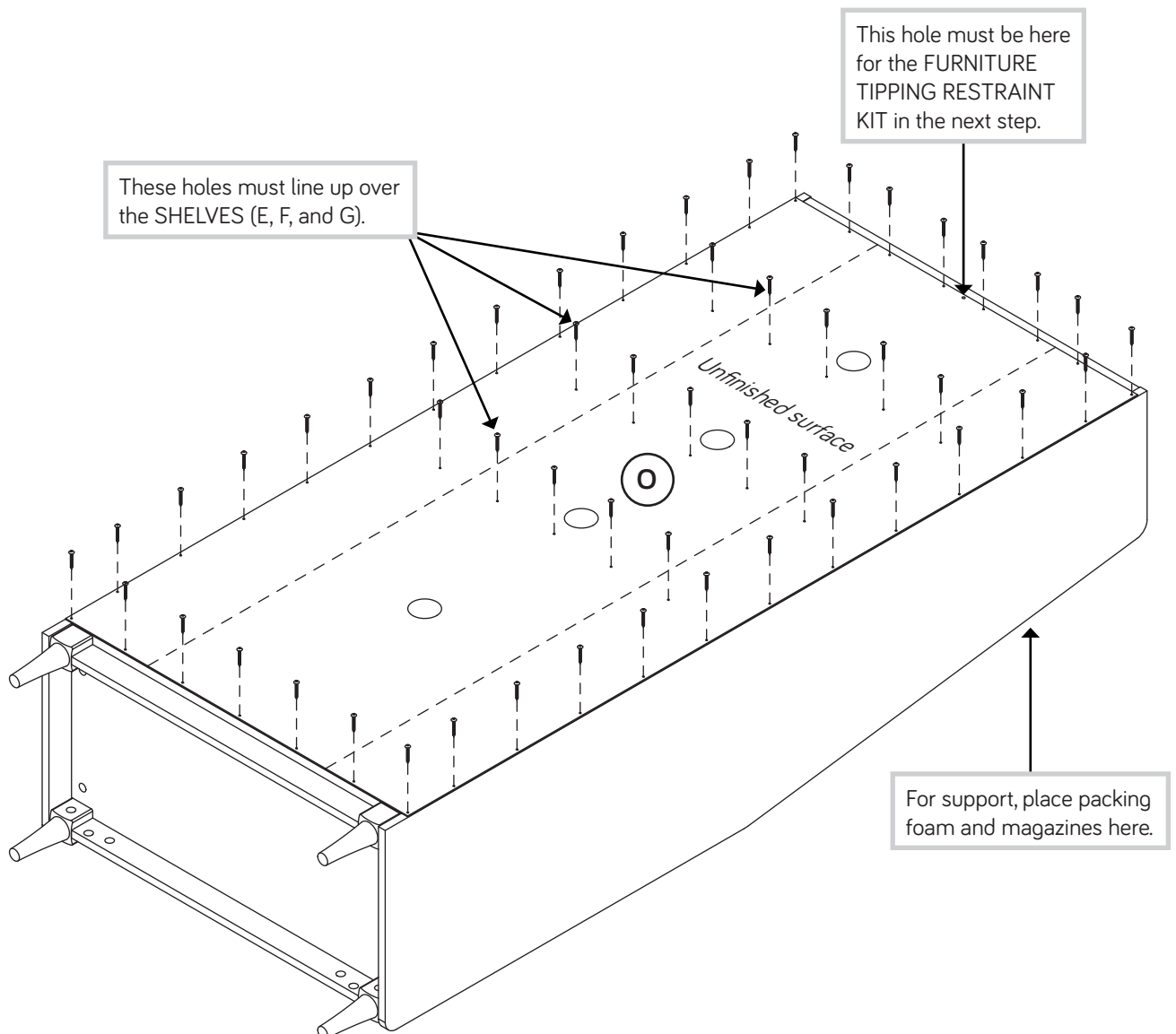


Step 9

- ✚ Carefully turn your unit over onto its front edges. Unfold the BACK (O) and lay it over your unit.
- ✚ Make equal margins along all four edges of the BACK (O). Push on opposite corners of your unit if needed to make it "square".
- ✚ Fasten the BACK (O) to your unit using the NAILS (11).
- ✚ **NOTE:** Be sure to tap NAILS into the holes that line up over the SHELVES (E, F, and G).
- ✚ **NOTE:** Perforations have been provided for access through the BACK. Carefully cut out the holes needed.

Caution

Do not stand the unit upright without the BACK fastened. The unit may collapse.

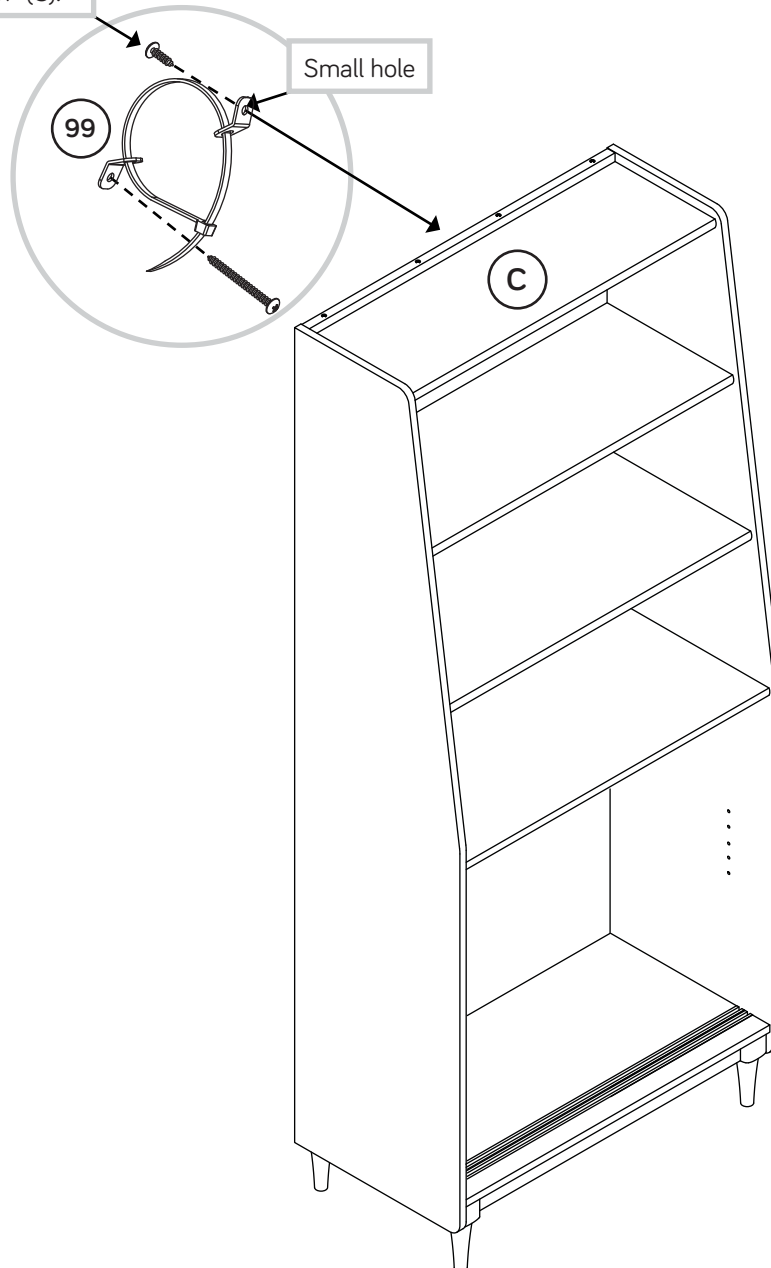


Step 10

- ⚠ Carefully stand your unit upright. Place your unit in its final location against a wall.
- ⚠ We recommend using the FURNITURE TIPPING RESTRAINT KIT (99) for added stability. Fasten a bracket to the TOP (C) using the 5/8" screw as shown.
- ⚠ Follow the instructions included in the KIT to fasten your unit to the wall.

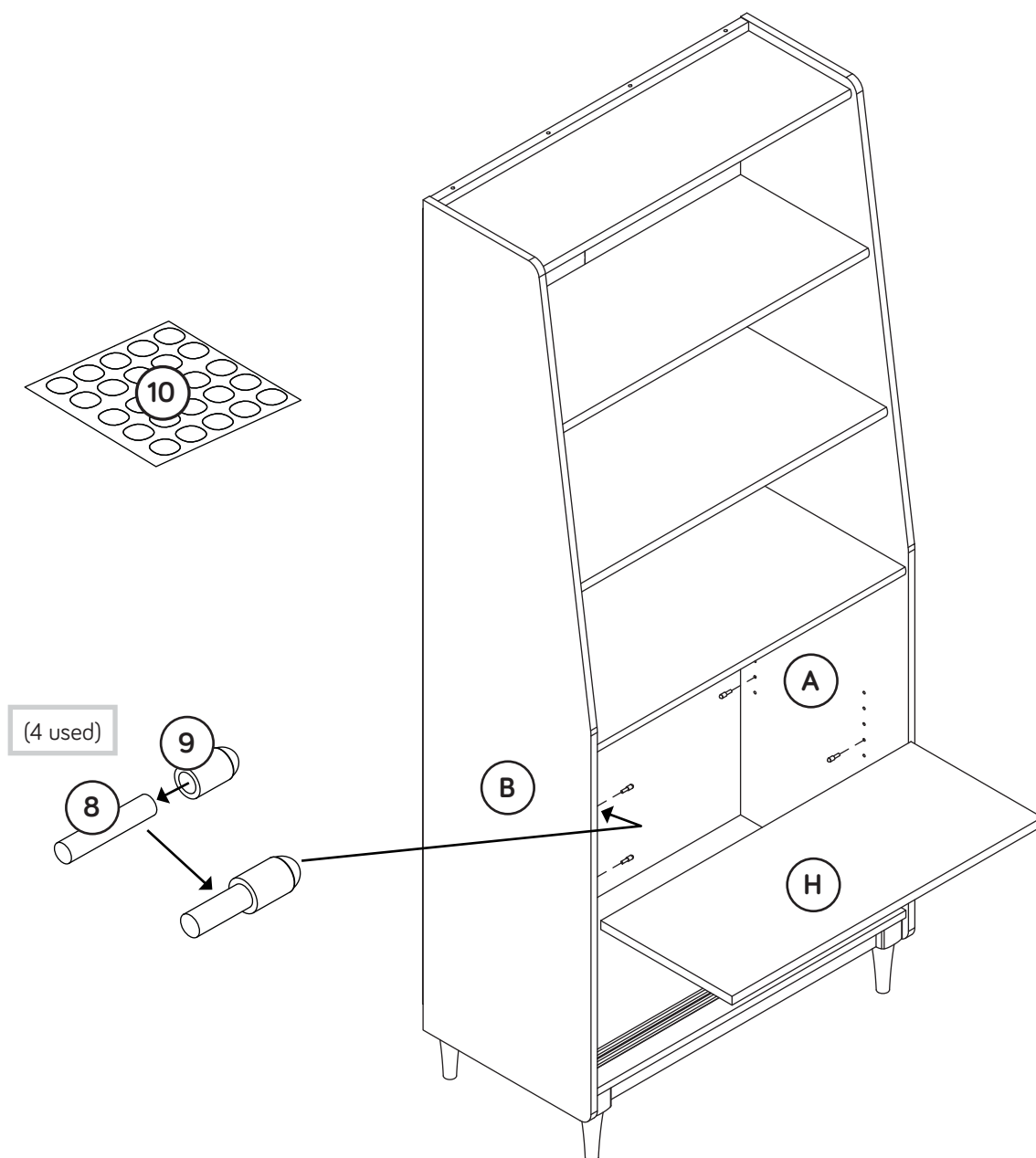


Use the 5/8" screw through the small hole in a bracket and into the back edge of the TOP (C).



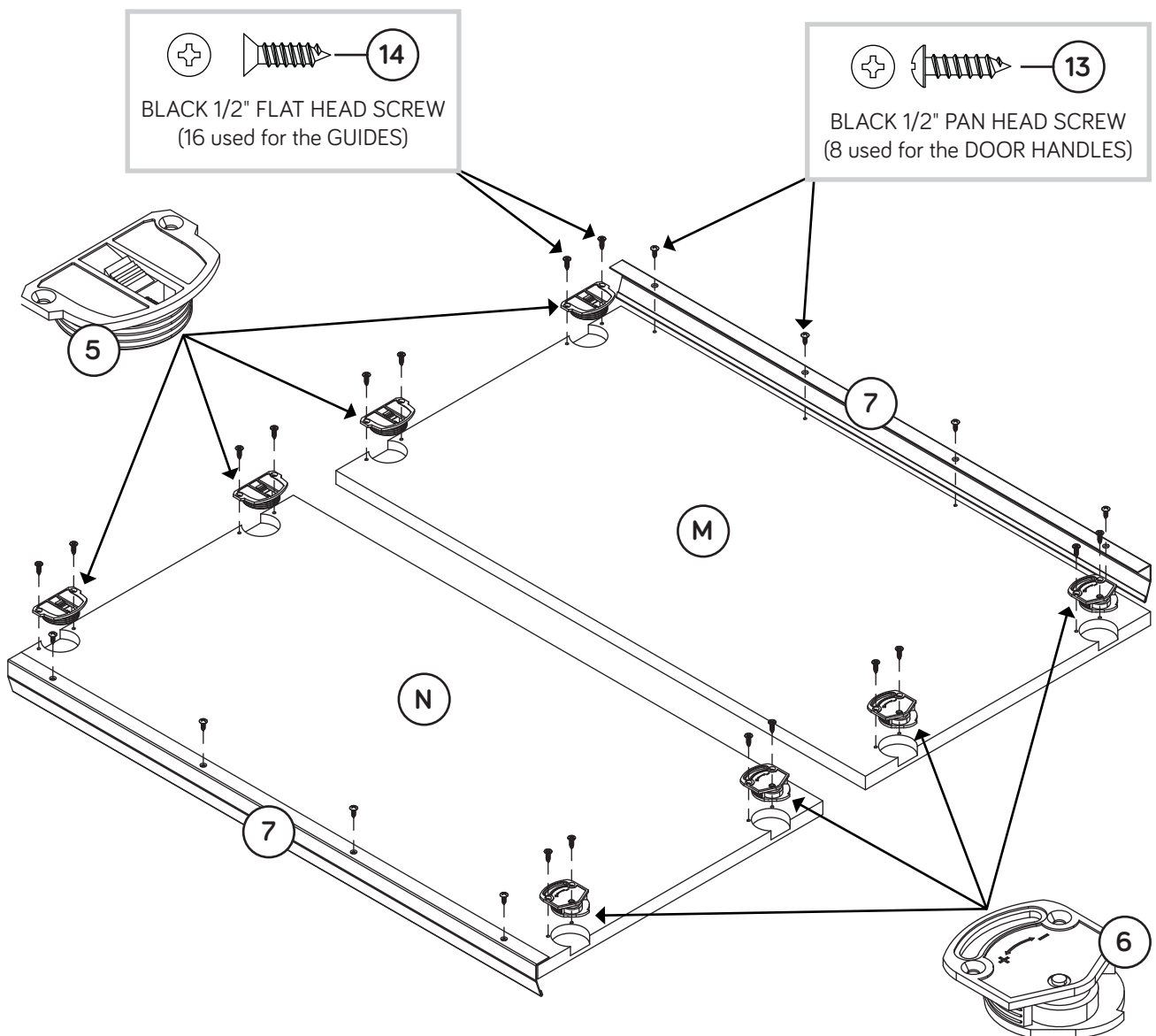
Step 11

- ✚ Push the RUBBER SLEEVES (9) over the METAL PINS (8). Insert the METAL PINS into the hole locations of your choice in the ENDS (A and B). Set the ADJUSTABLE SHELF (H) onto the METAL PINS.
- ✚ Peel a sticker from the APPLIQUE CARD (10) and place onto each visible HIDDEN CAM.



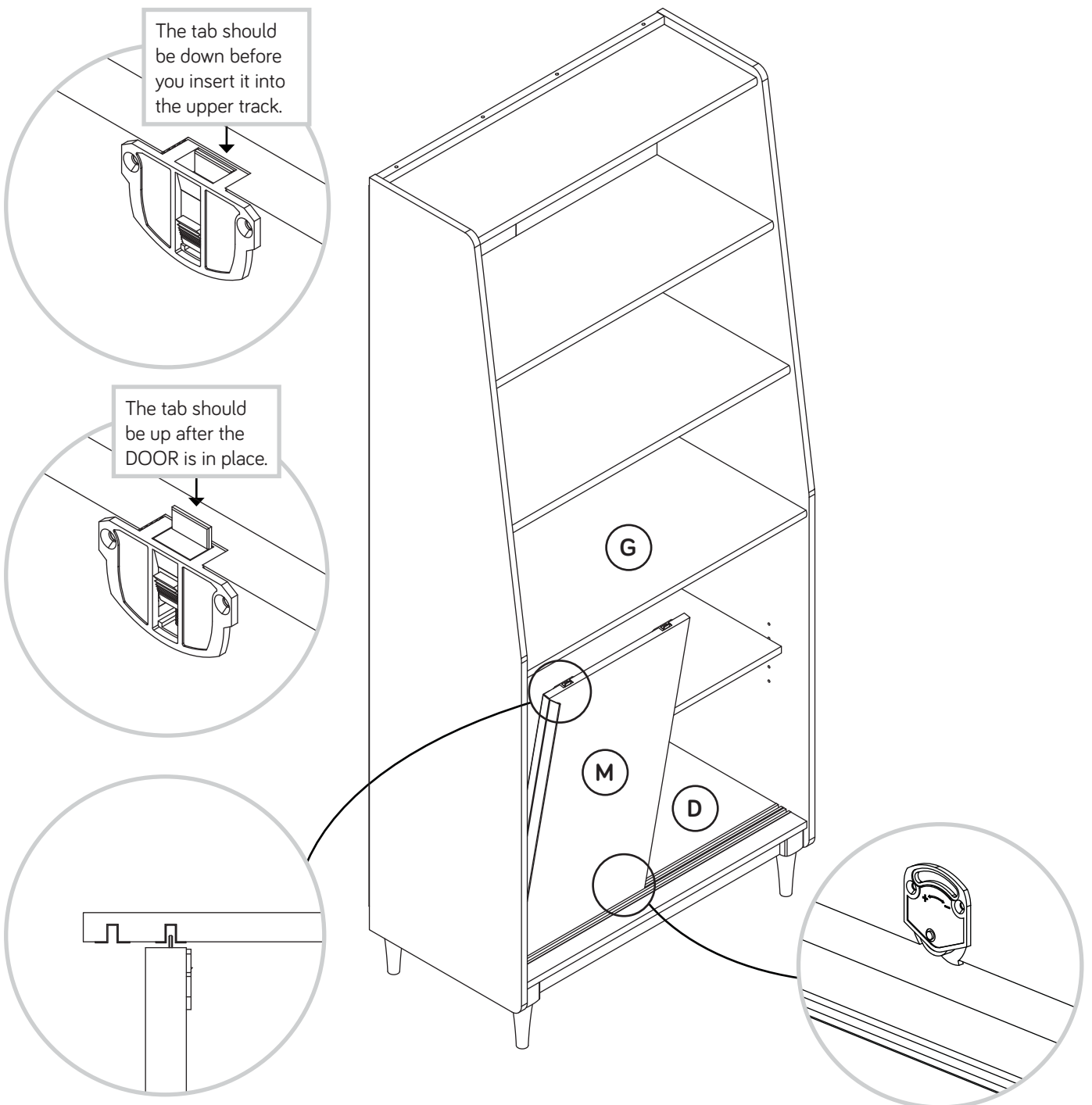
Step 12

- Fasten the GUIDES (5 and 6) to the DOORS (M and N) exactly as shown. Use sixteen BLACK 1/2" FLAT HEAD SCREWS (14).
- Fasten the DOOR HANDLES (7) to the DOORS (M and N). Use eight BLACK 1/2" PAN HEAD SCREWS (13).



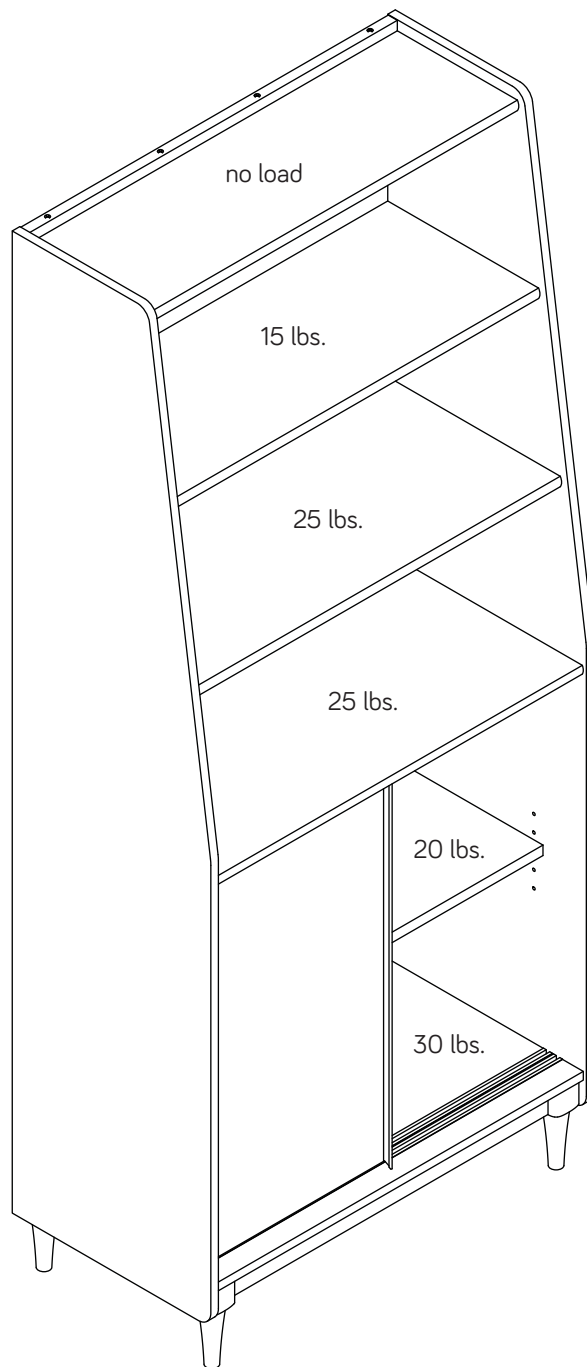
Step 13

- 🔌 **NOTE:** The UPPER GUIDE (5) tabs should be down before starting this step.
- 🔌 Insert the LOWER GUIDES (6) in the LEFT DOOR (M) at an angle into the rear track in the BOTTOM (D). Then, tilt the LEFT DOOR (M) up vertically. Push the UPPER GUIDE (5) tabs up into the rear track in the LOWER SHELF (G).
- 🔌 **NOTE:** The DOOR should slide freely in the track.
- 🔌 Repeat this step for the RIGHT DOOR (N) using the front tracks in the BOTTOM (D) and LOWER SHELF (G).



Step 14

- 🔌 **NOTE:** Please read the back pages of the instruction booklet for important safety information.
- 🔌 This completes assembly. Clean with your favorite furniture polish or a damp cloth. Wipe dry.



⚠ WARNING

Please use your furniture correctly and safely. Improper use can cause safety hazards, or damage to your furniture or household items. **Carefully read the following chart.**

Look out for:	What can happen:	How to avoid the problem:
<ul style="list-style-type: none">• Overloaded shelves.• Improper loading can cause the product to be top-heavy.	<ul style="list-style-type: none">• Risk of injury.• Top-heavy furniture can tip over.• Overloaded shelves can break.	<ul style="list-style-type: none">• Never exceed the weight limits shown in the instructions.• Work from bottom to top when loading shelves. Place the heavier items on the lower shelves.
<ul style="list-style-type: none">• Improperly moving furniture that is not designed and equipped with casters.	<ul style="list-style-type: none">• Furniture can tip over or break if improperly moved.• Physical injury. Furniture can be very heavy.	<ul style="list-style-type: none">• Unload shelves from top to bottom before moving the furniture.• Do not push furniture, especially on a carpeted floor. Have a friend help you lift the item and set it in place.• This unit must be positioned against a wall.
<ul style="list-style-type: none">• Children climbing on the shelves can cause the product to tip.	<ul style="list-style-type: none">• Risk of injury or death.	<ul style="list-style-type: none">• Do not allow children to climb on the shelves. Avoid placing items like toys or candy on upper shelves.• Use the supplied safety strap for added stability.
<ul style="list-style-type: none">• Placing TVs on furniture items that are not designed to support a television is hazardous.	<ul style="list-style-type: none">• Risk of injury or death. TVs can be very heavy. Plus the weight and location of the picture tube tends to make TVs unbalanced and prone to tipping forward.	<ul style="list-style-type: none">• This product is not designed to support a television.