

Get all **organized**
and **stuff**.

Storage Stand

Hampstead Park Collection | **Model 5420285**

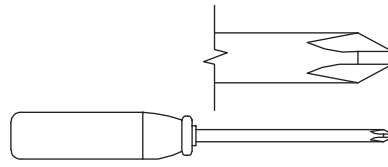
NOTE: THIS INSTRUCTION
BOOKLET CONTAINS **IMPORTANT**
SAFETY INFORMATION.

PLEASE READ AND KEEP FOR
FUTURE REFERENCE.

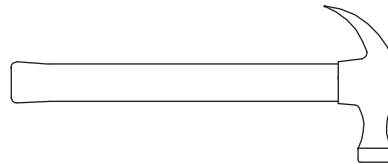
Table of Contents

Assembly Tools Required

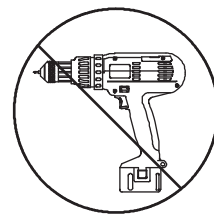
Part Identification	3
Hardware Identification	4
Assembly Steps	5-24
Français	25-28
Español	29-32
Safety	33-34
Warranty	35



No. 2 Phillips Screwdriver
Tip Shown Actual Size



Hammer
Not actual size 😊



Skip the power trip.
This time.

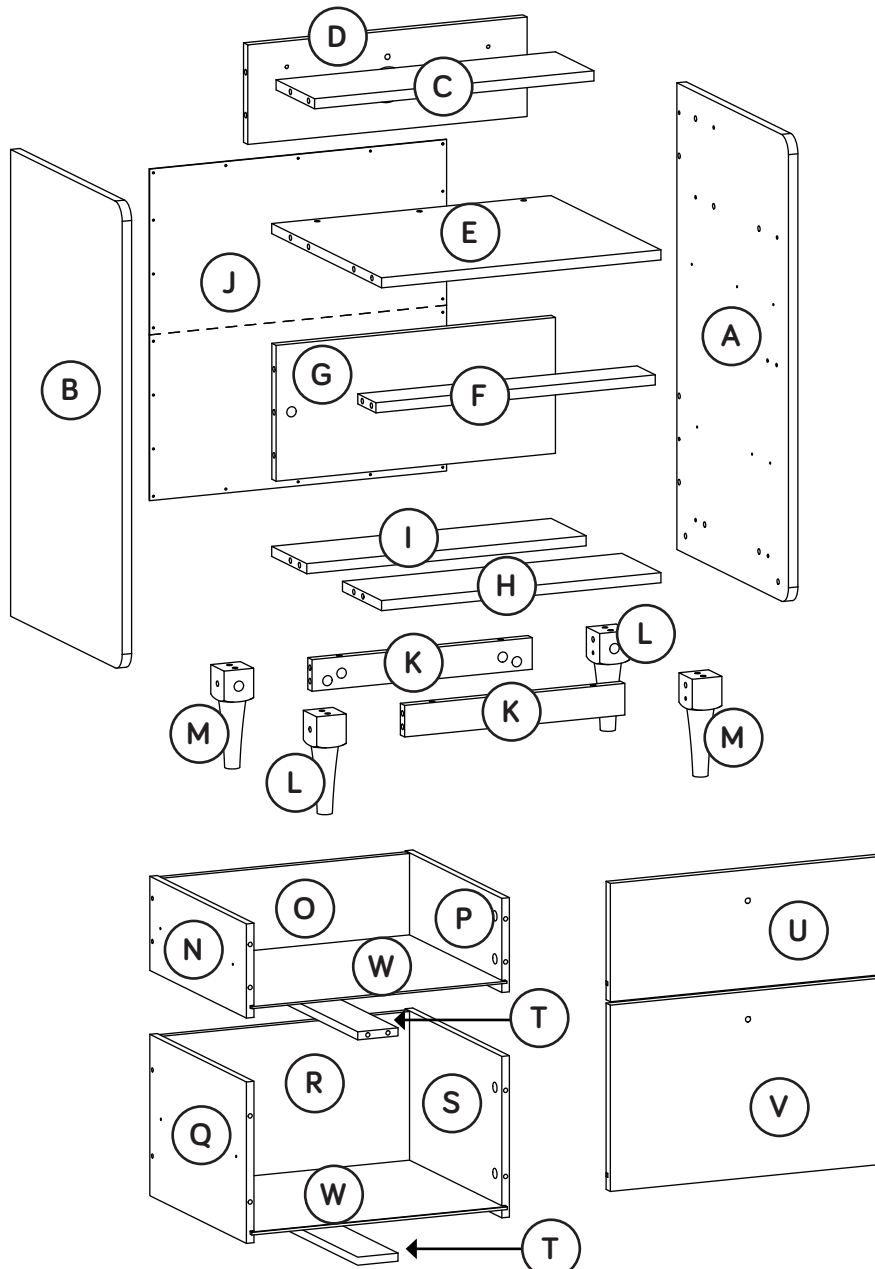
Part Identification

Now you know
our ABCs.



While not all parts are labeled, some of the parts will have a label or an inked letter on the edge to help distinguish similar parts from each other. Use this part identification to help identify similar parts.

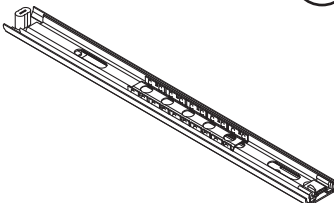
A	RIGHT END (1)	J	BACK (1)	Q	LEFT LARGE DRAWER SIDE (1)
B	LEFT END (1)	K	BRACE (2)	R	LARGE DRAWER BACK (1)
C	TOP (1)	L	LEFT FRONT/RIGHT REAR LEG (2)	S	RIGHT LARGE DRAWER SIDE (1)
D	UPPER BACK (1)	M	RIGHT FRONT/LEFT REAR LEG (2)	T	DRAWER BRACE (2)
E	SHELF (1)	N	LEFT SMALL DRAWER SIDE (1)	U	SMALL DRAWER FRONT (1)
F	DRAWER BRACE (1)	O	SMALL DRAWER BACK (1)	V	LARGE DRAWER FRONT (1)
G	LOWER BACK (1)	P	RIGHT SMALL DRAWER SIDE (1)	W	DRAWER BOTTOM (2)
H	FRONT BOTTOM (1)				
I	REAR BOTTOM (1)				

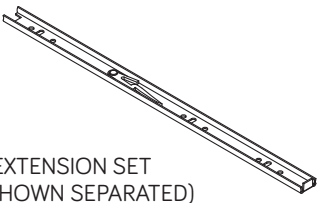


Hardware Identification


† Screws are shown actual size. You may receive extra hardware with your unit.


- AA** EXTENSION RAIL - 2

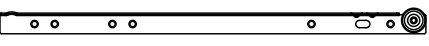

 - BB** EXTENSION SLIDE - 2

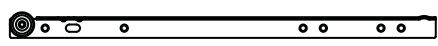



(EXTENSION SET SHOWN SEPARATED)
 - CC** RIGHT CABINET RAIL - 1



-
- DD** LEFT CABINET RAIL - 1

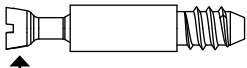

 - EE** RIGHT DRAWER SLIDE - 1


 - FF** LEFT DRAWER SLIDE - 1



-
- 1** LARGE HIDDEN CAM - 32


 - 2** SMALL HIDDEN CAM - 12

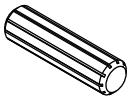

 - 3** ANGLED HEAD CAM SCREW - 32

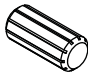


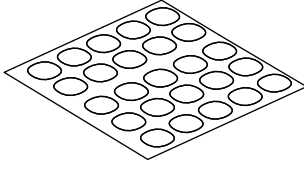
↑
Angled head
 - 4** STRAIGHT HEAD CAM SCREW - 12





↑
Straight head
 - 5** LONG WOOD DOWEL - 28

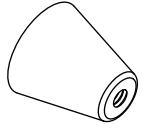

-
- 6** SHORT WOOD DOWEL - 4

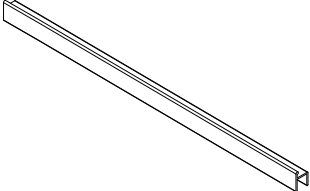

 - 7** APPLIQUE CARD - 1

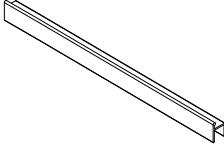

 - 8** GROMMET - 1

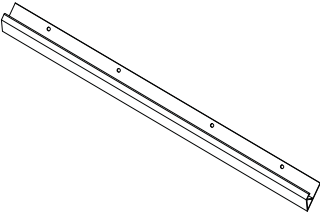

 - 9** NAIL - 22

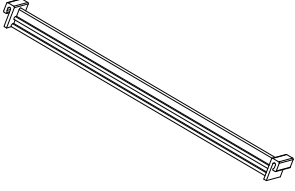

 - 10** KNOB - 2

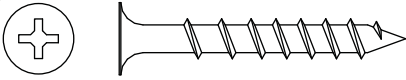

-
- 11** LONG FILE GLIDE - 1

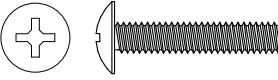

 - 12** SHORT FILE GLIDE - 2



 - 13** FRONT FILE GLIDE - 1



 - 14** FILE HANGER - 2


-
- 15** BLACK 1-1/2" FLAT HEAD SCREW - 14


 - 16** BLACK 7/8" MACHINE SCREW - 2


-
- 17** BLACK 1/2" PAN HEAD SCREW - 16


 - 18** BLACK 1/2" FLAT HEAD SCREW - 12

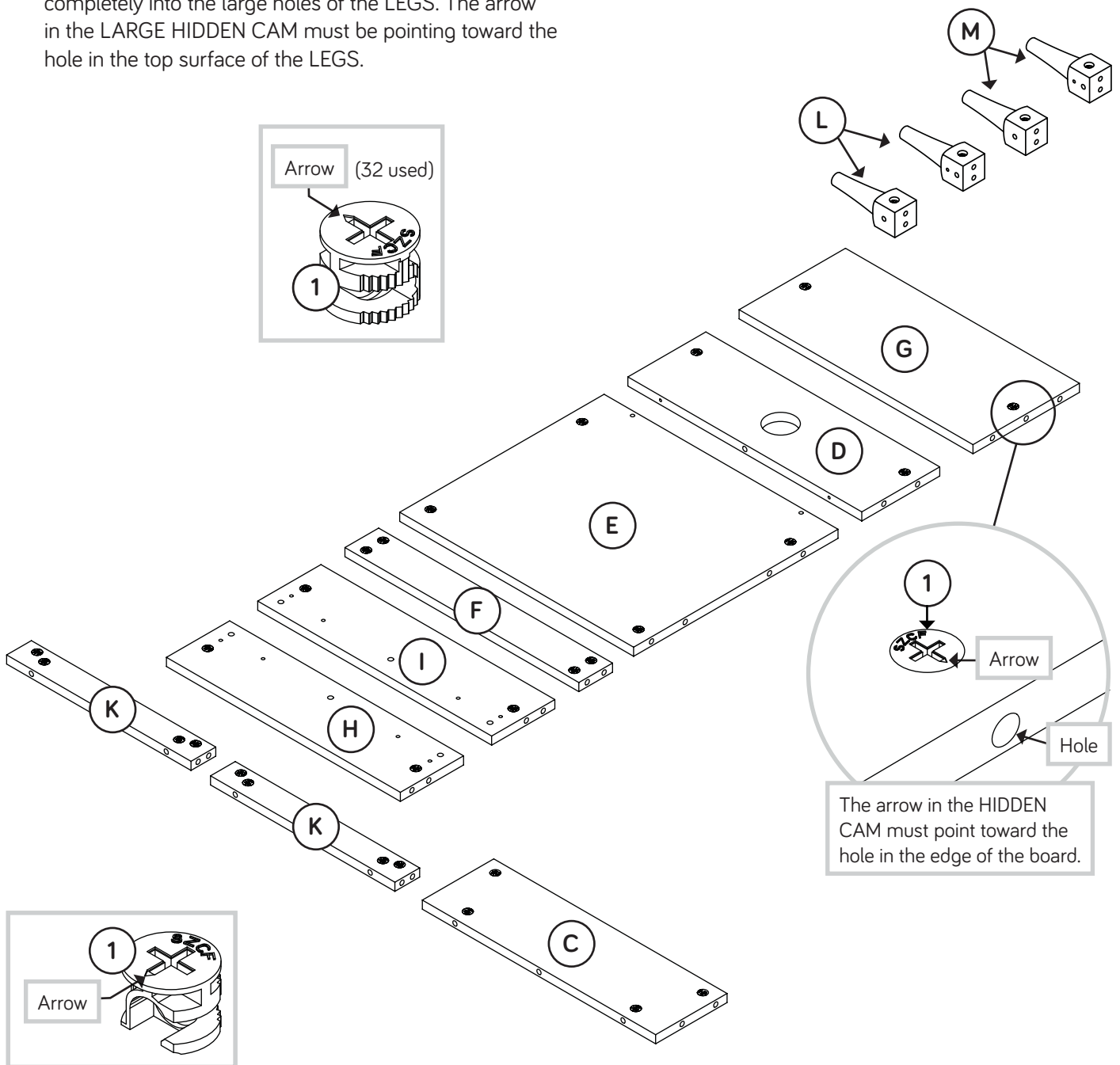


Step 1

- ✚ Assemble your unit on a carpeted floor or on the empty carton to avoid scratching your unit or the floor.
- ✚ Push thirty-two LARGE HIDDEN CAMS (1) into the TOP (C), UPPER BACK (D), SHELF (E), DRAWER BRACE (F), LOWER BACK (G), BOTTOMS (H and I), and BRACES (K), and LEGS (L and M).
- ✚ **NOTE:** Be sure to push the LARGE HIDDEN CAMS completely into the large holes of the LEGS. The arrow in the LARGE HIDDEN CAM must be pointing toward the hole in the top surface of the LEGS.

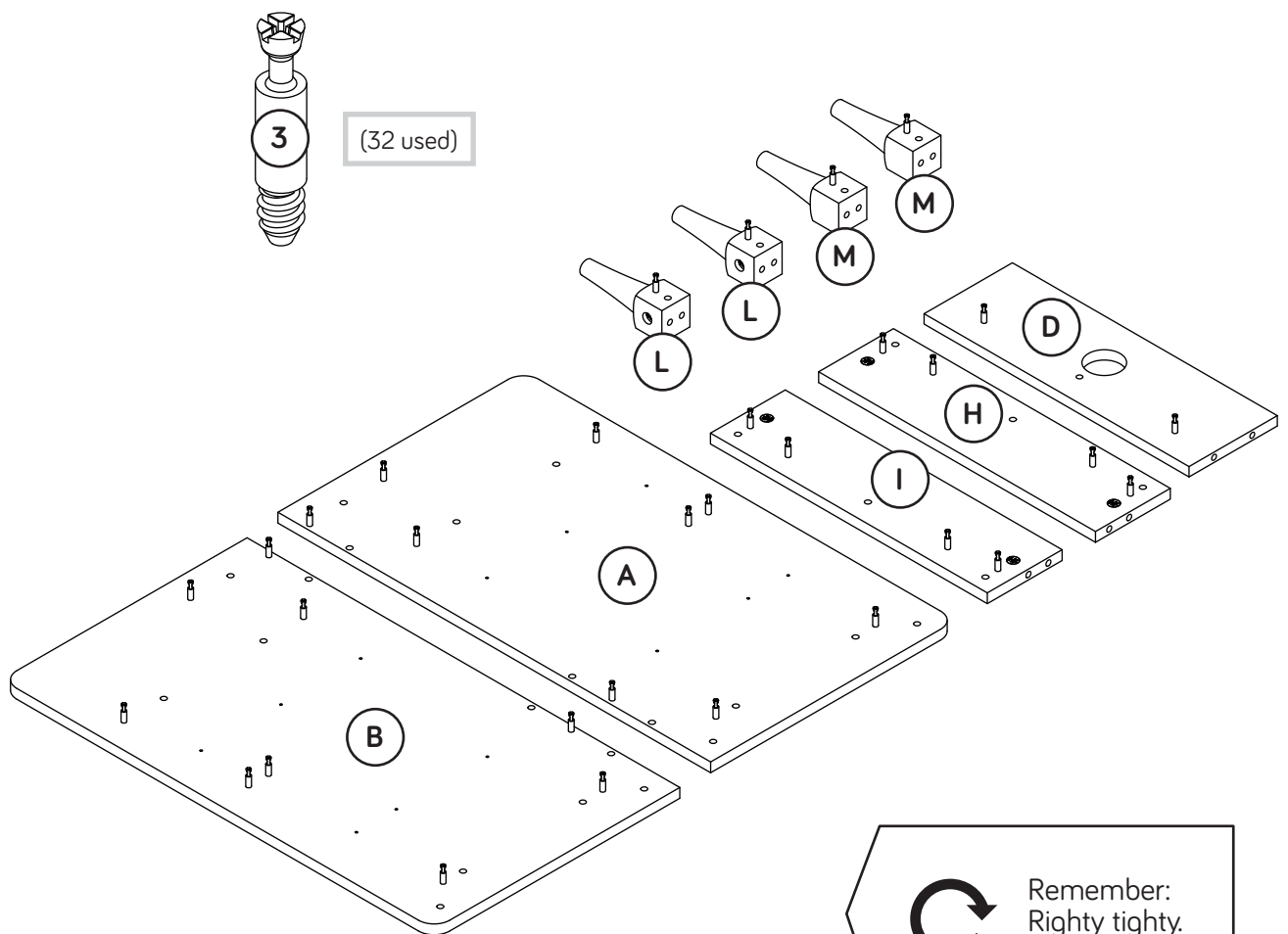
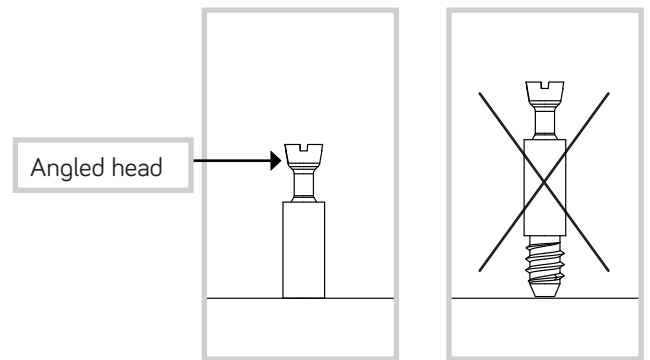


This unit is not intended for bedroom clothing storage.



Step 2

Turn thirty-two ANGLED HEAD CAM SCREWS (3) into the ENDS (A and B), UPPER BACK (D), BOTTOMS (H AND I), and LEGS (L and M).

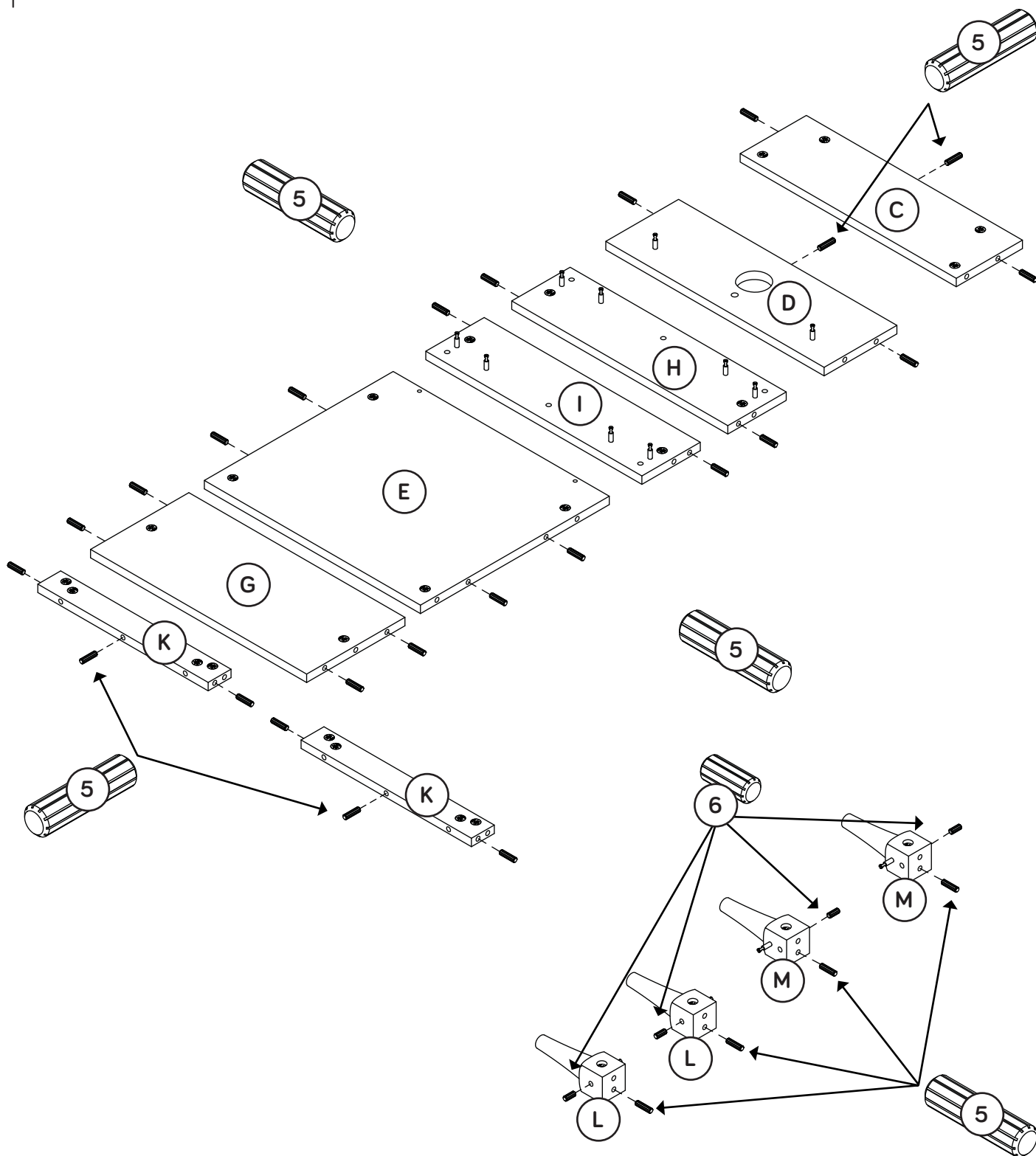


 Remember:
Righty tighty.
Lefty loosey.

Step 3

✚ Push twenty-eight LARGE WOOD DOWELS (5) into the edges of the TOP (C), UPPER BACK (D), SHELF (E), LOWER BACK (G), BOTTOMS (H and I), BRACES (K), and LEGS (L and M).

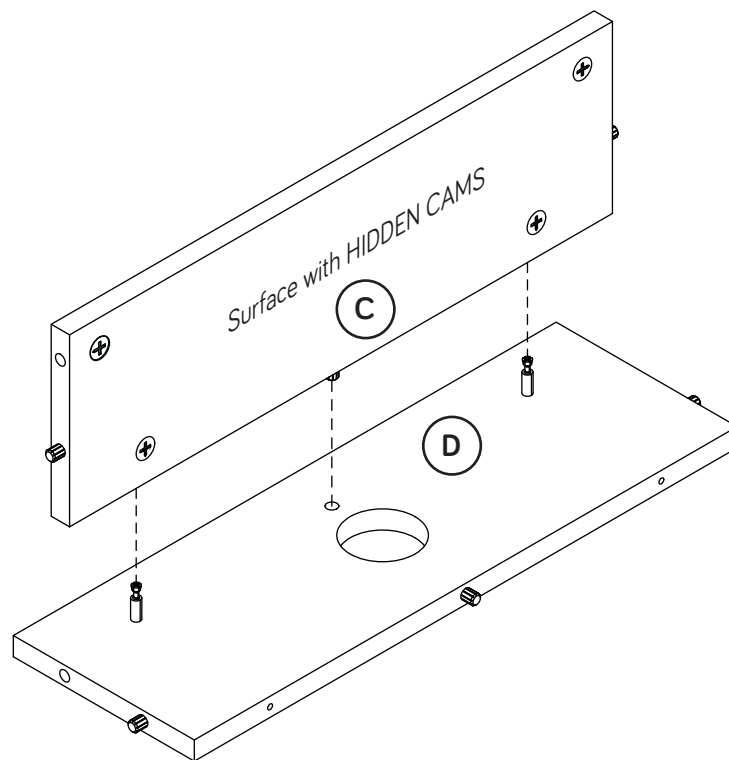
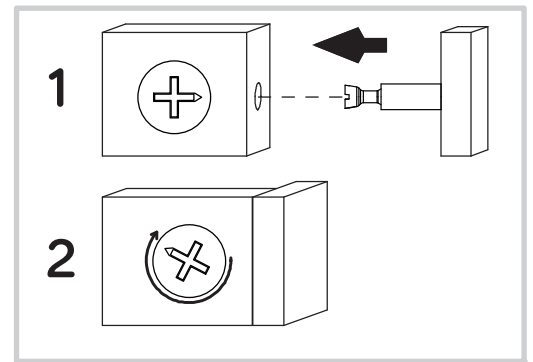
✚ Push four SMALL WOOD DOWELS (6) into the LEGS (L and M).



Step 4

⚡ Fasten the TOP (C) to the UPPER BACK (D). Tighten two LARGE HIDDEN CAMS.

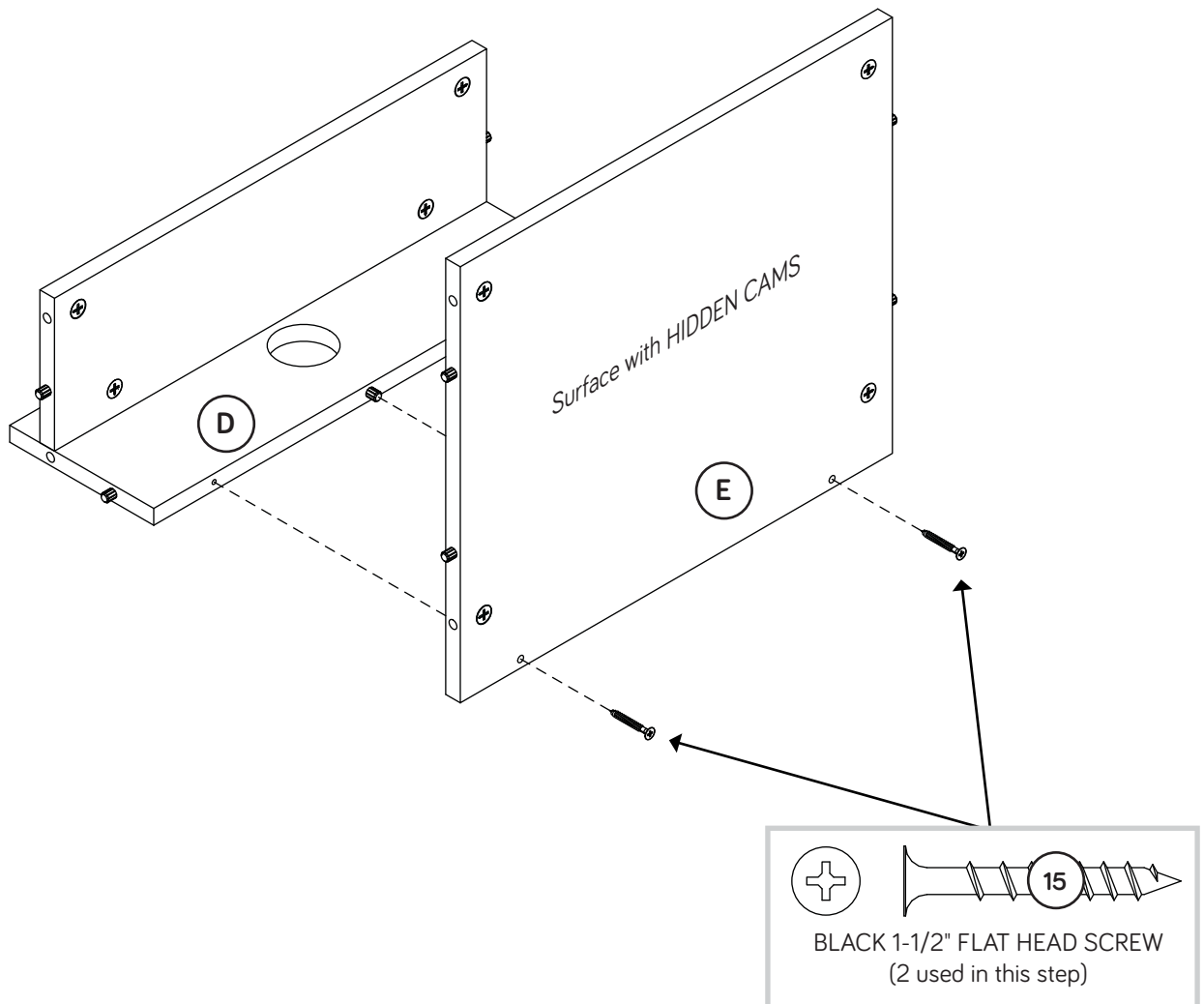
⚡ **NOTE:** Be sure the LARGE WOOD DOWEL in the TOP inserts into the hole in the UPPER BACK.



Step 5

Fasten the SHELF (E) to the UPPER BACK (D). Use two BLACK 1-1/2" FLAT HEAD SCREWS (15).

NOTE: Be sure the LARGE WOOD DOWEL in the UPPER BACK inserts into the hole in the SHELF.



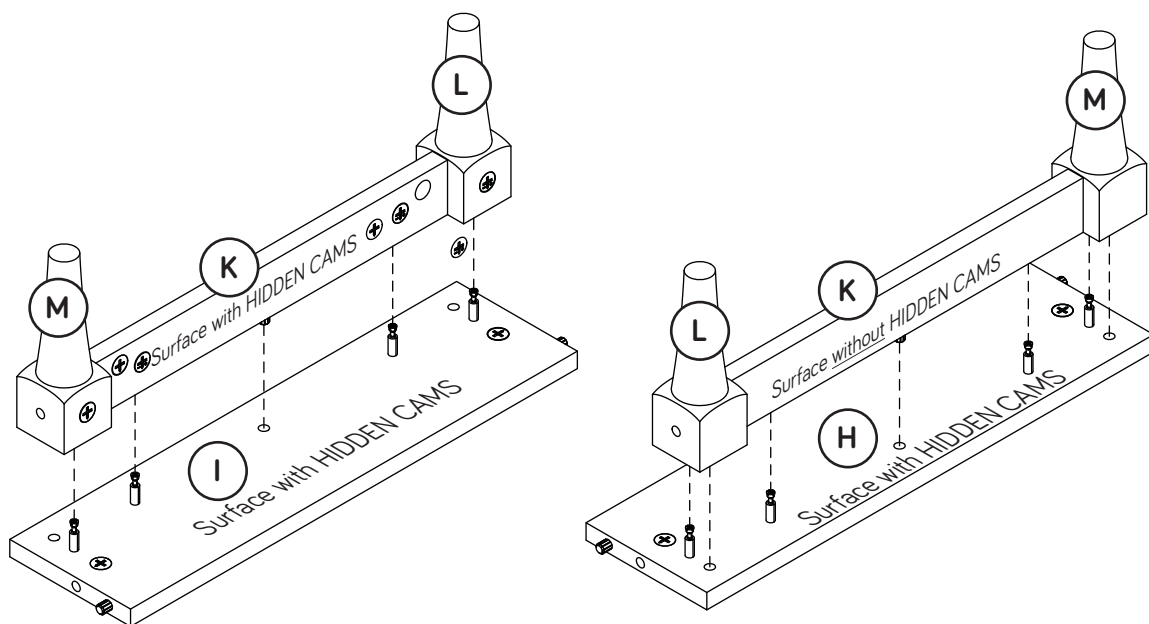
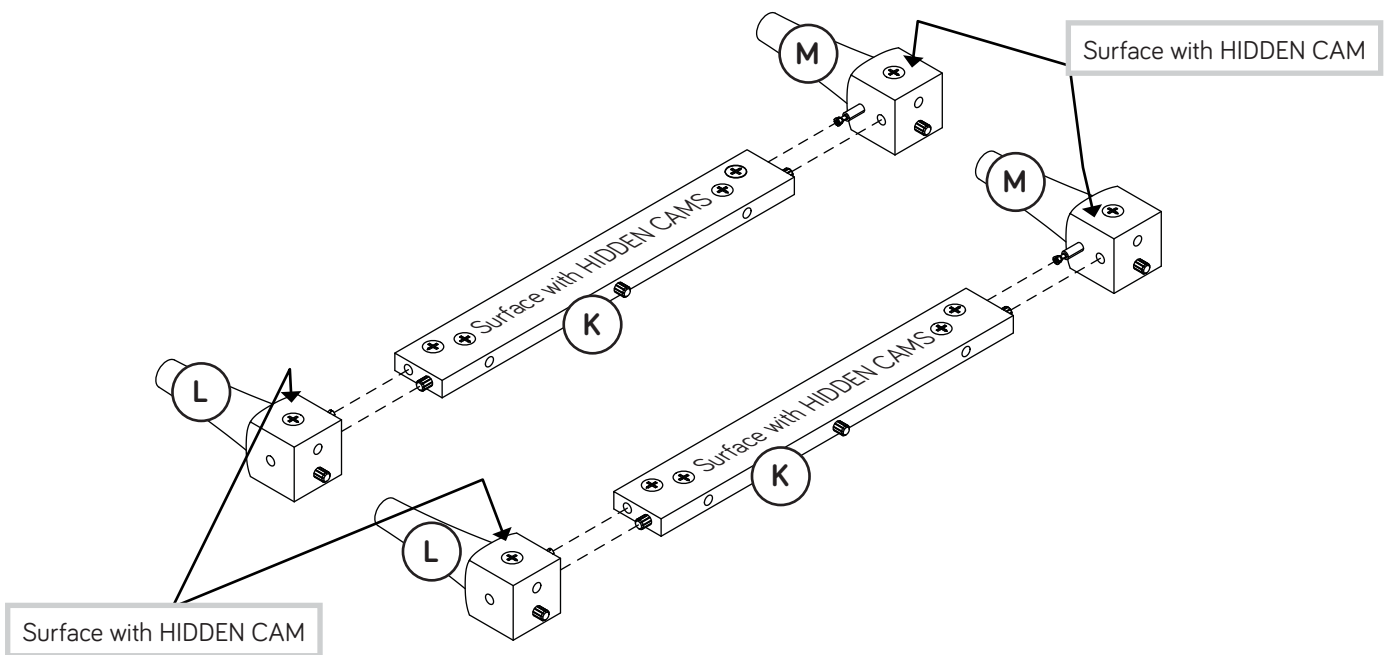
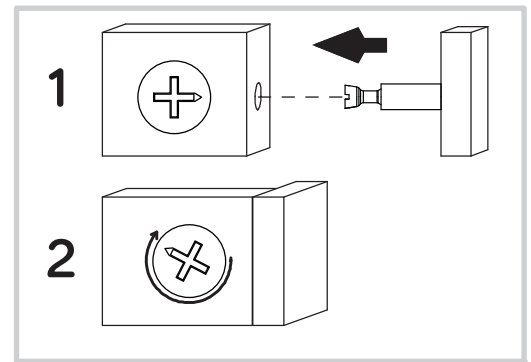
Step 6

Fasten the FEET (L and M) to the BOTTOM BRACES (K).
Tighten four LARGE HIDDEN CAMS.

NOTE: Be sure the LARGE WOOD DOWELS in the BRACES insert into the holes in the LEGS.

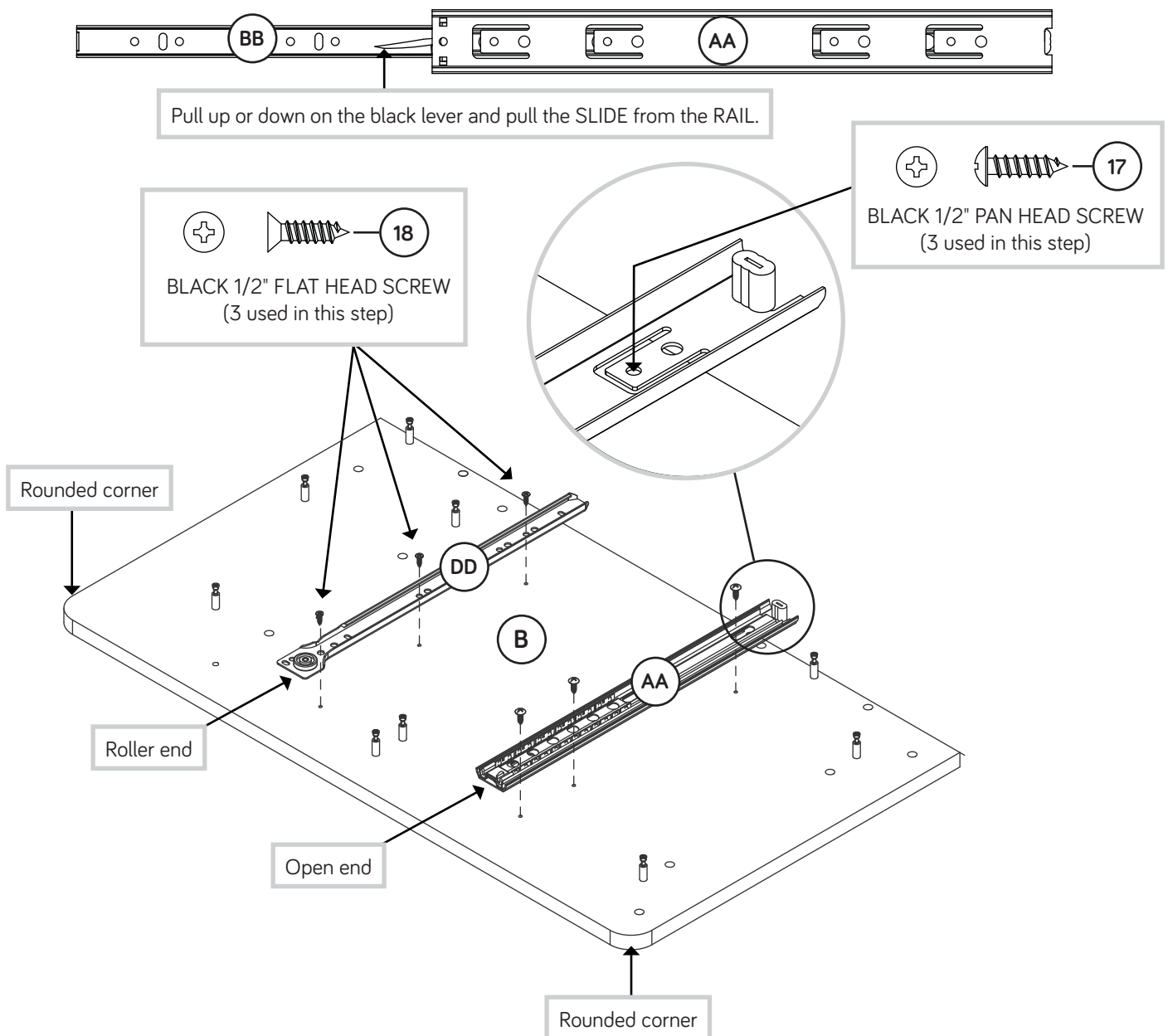
Fasten a LEG/BRACE assembly to the FRONT BOTTOM (H).
Tighten four LARGE HIDDEN CAMS.

Fasten the other LEG/BRACE assembly to the REAR BOTTOM (I).
Tighten four LARGE HIDDEN CAMS.



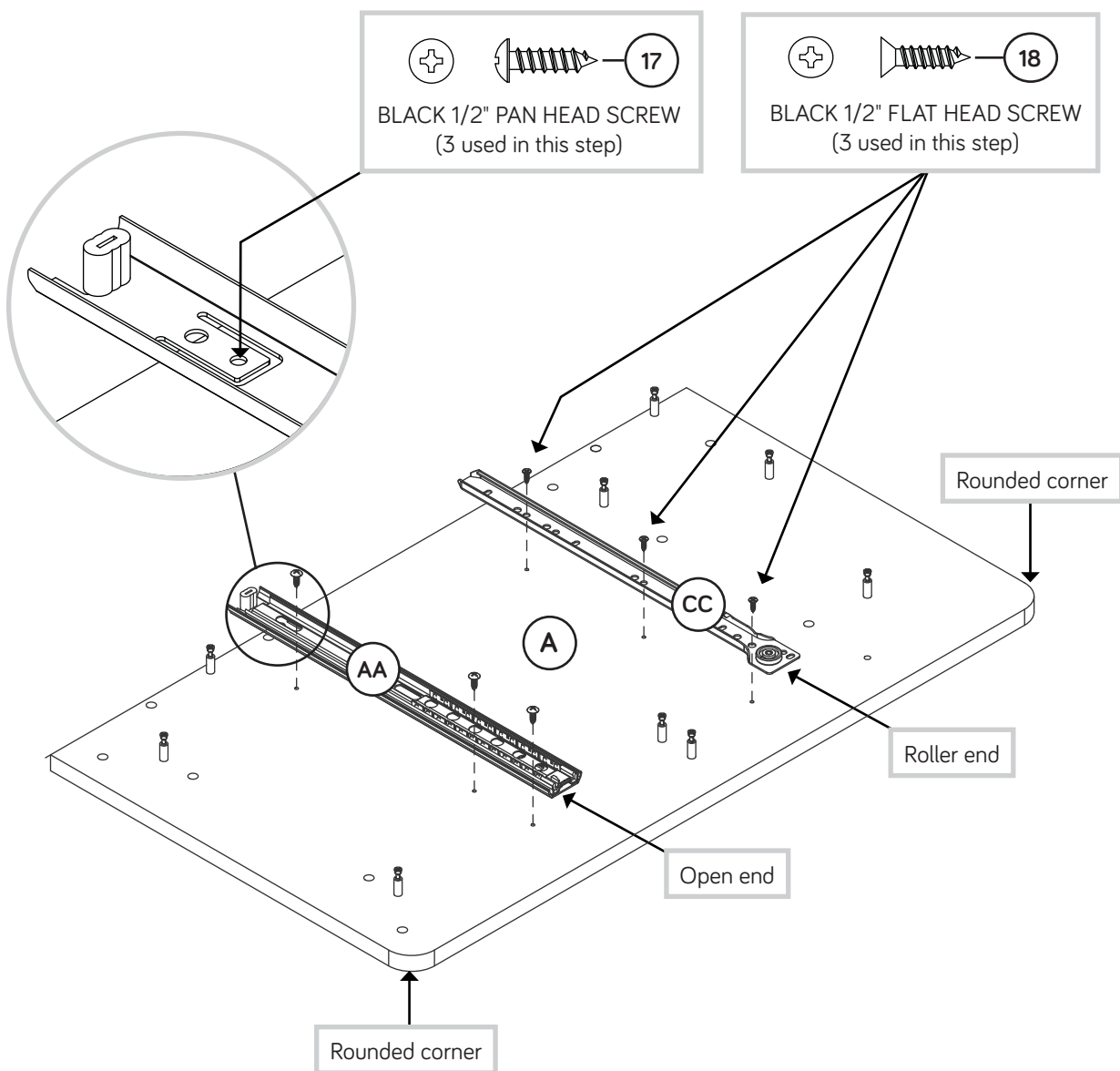
Step 7

- ✚ Separate the EXTENSION SLIDES (BB) from the EXTENSION RAILS (AA) as shown in the enlarged diagram below. Be prepared, the parts are greasy.
- ✚ Fasten an EXTENSION RAIL (AA) to the LEFT END (B). Use three BLACK 1/2" PAN HEAD SCREWS (17).
- ✚ **NOTE:** For each EXTENSION RAIL, turn a SCREW into the hole shown in the enlarged diagram. Then, slide the inner cartridge of the EXTENSION RAIL out to find the other two holes that line up with the holes in the END. Turn a SCREW into those holes.
- ✚ **NOTE:** The EXTENSION SLIDES will be used later for the DRAWERS.
- ✚ Fasten the LEFT CABINET RAIL (DD) to the LEFT END (B). Use three BLACK 1/2" FLAT HEAD SCREWS (18).



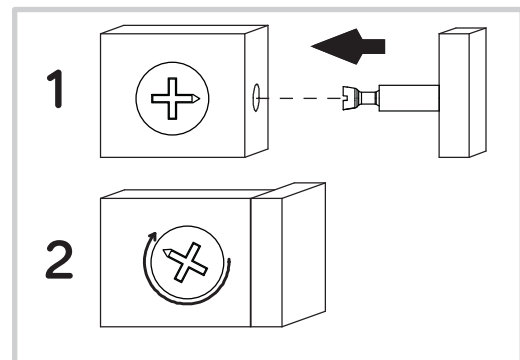
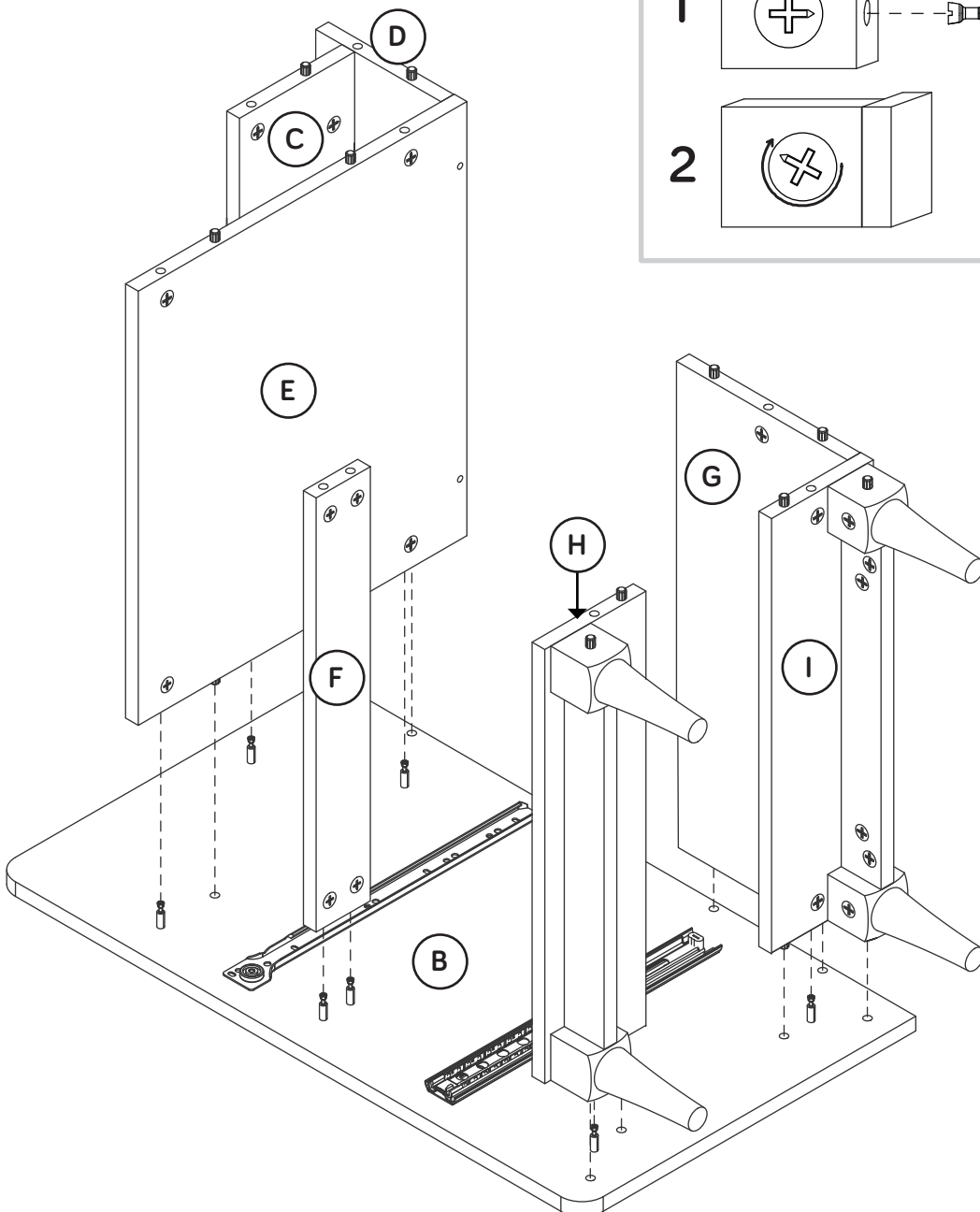
Step 8

- ✚ Fasten the EXTENSION RAIL (AA) to the RIGHT END (A). Use three BLACK 1/2" PAN HEAD SCREWS (17).
- ✚ **NOTE:** For each EXTENSION RAIL, turn a SCREW into the hole shown in the enlarged diagram. Then, slide the inner cartridge of the EXTENSION RAIL out to find the other two holes that line up with the holes in the END. Turn a SCREW into those holes.
- ✚ Fasten the RIGHT CABINET RAIL (CC) to the RIGHT END (A). Use three BLACK 1/2" PAN HEAD SCREWS (17).



Step 9

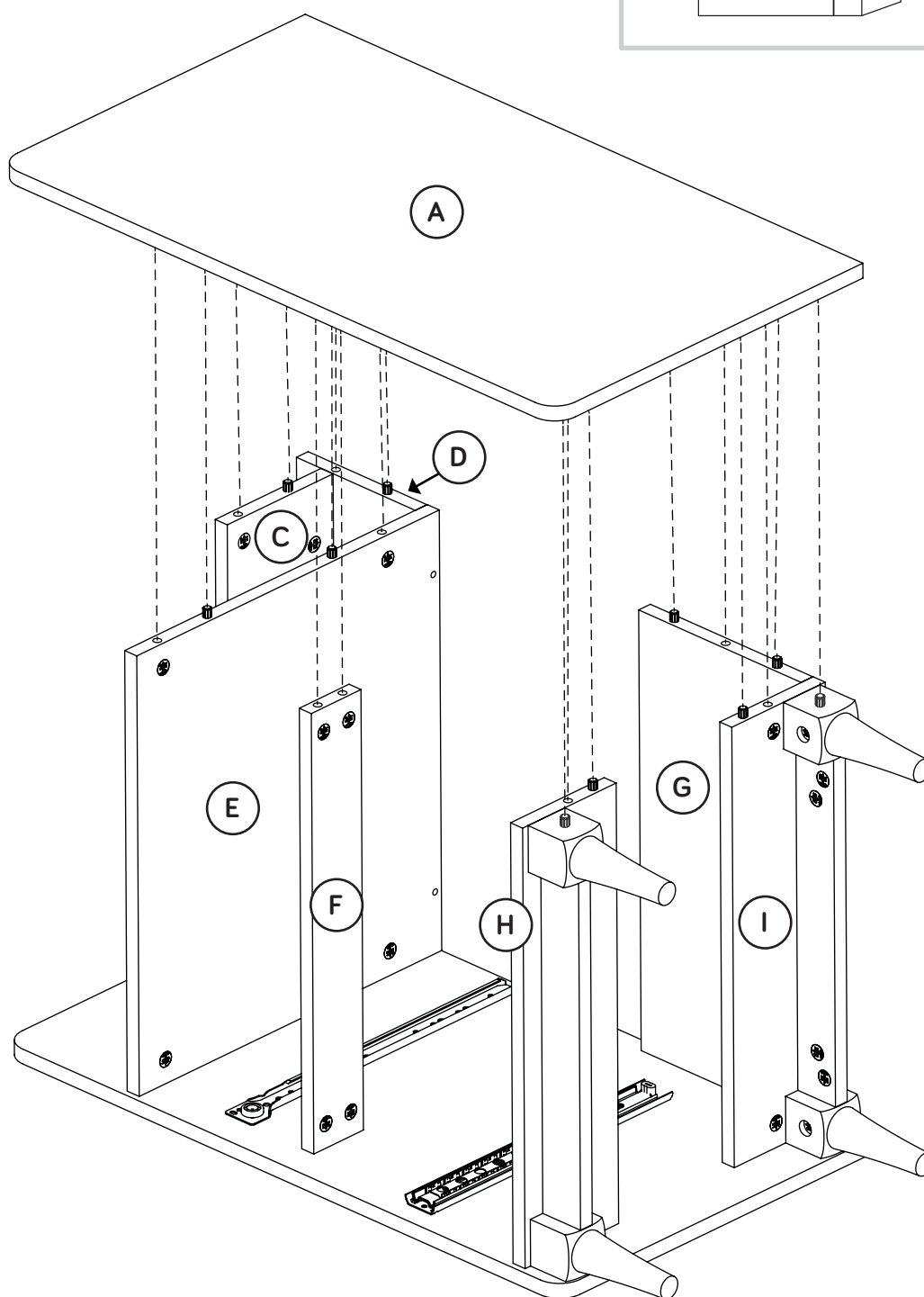
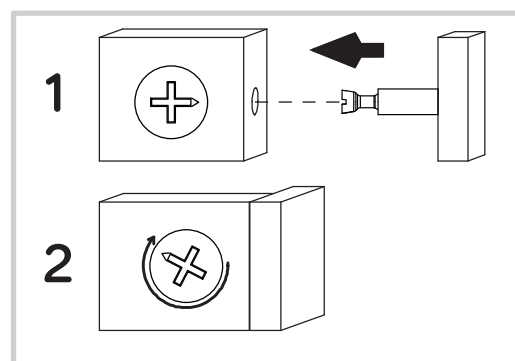
- ✚ **NOTE:** When fastening parts to each other, be sure the LONG and SHORT WOOD DOWELS insert into the holes of the adjoining parts.
- ✚ Fasten the FRONT BOTTOM (H) to the LEFT END (B). Tighten the LARGE HIDDEN CAM.
- ✚ Fasten the REAR BOTTOM (I) to the LEFT END (B). Tighten the LARGE HIDDEN CAM.
- ✚ Fasten the LOWER BACK (G) to the LEFT END (B). Tighten the LARGE HIDDEN CAM.
- ✚ Fasten the DRAWER BRACE (F) to the LEFT END (B). Tighten two LARGE HIDDEN CAMS.
- ✚ Fasten the SHELF (E), UPPER BACK (D), and TOP (C) to the LEFT END (B). Tighten four HIDDEN CAMS.



Step 10

Fasten the RIGHT END (A) to the TOP (C), UPPER BACK (D), SHELF (E), DRAWER BRACE (F), LOWER BACK (G), and BOTTOMS (H and I). Tighten eight LARGE HIDDEN CAMS.

NOTE: Be sure the LONG and SHORT WOOD DOWELS in the adjoining parts insert into the holes in the RIGHT END.



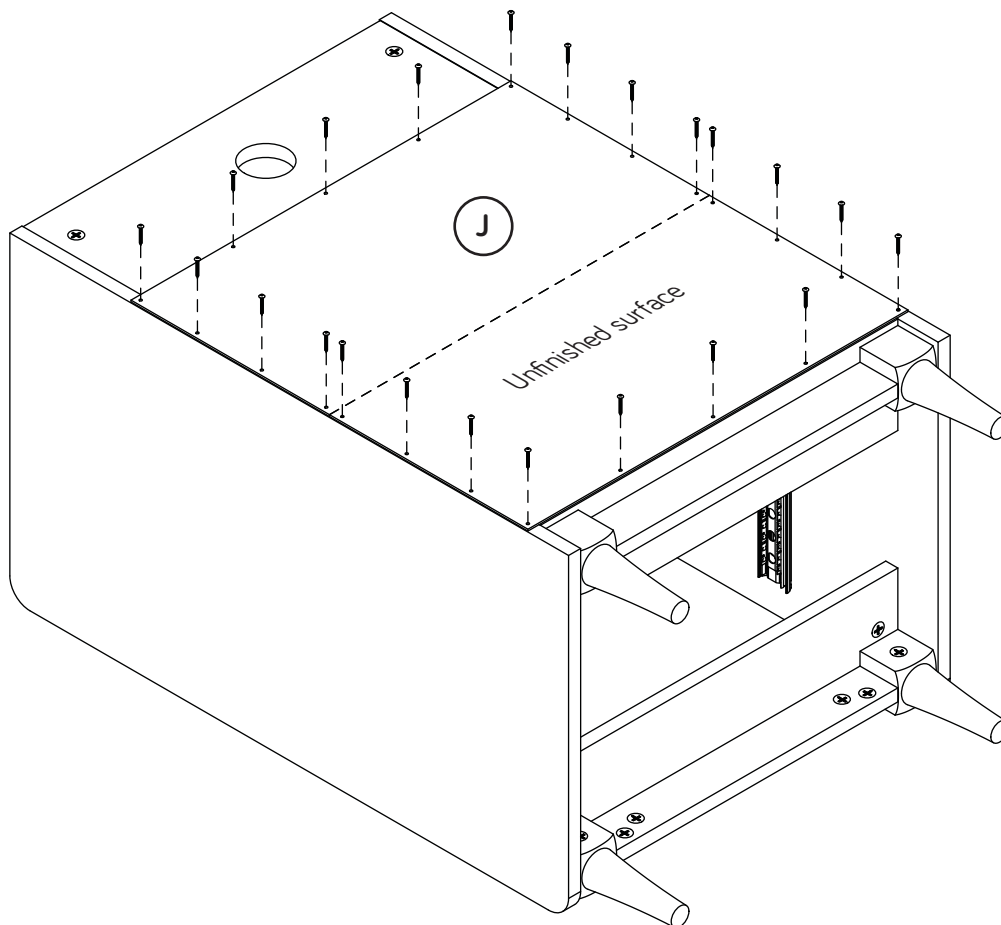
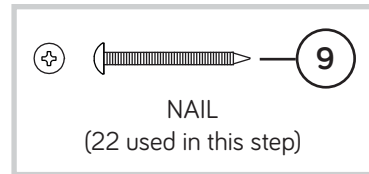
Step 11

- ✚ Carefully turn your unit over onto its front edges. Unfold the BACK (J) and lay it over your unit.
- ✚ Make equal margins along all three edges of the BACK (J). Push on opposite corners of your unit if needed to make it "square".
- ✚ Fasten the BACK (J) to your unit using the NAILS (9).



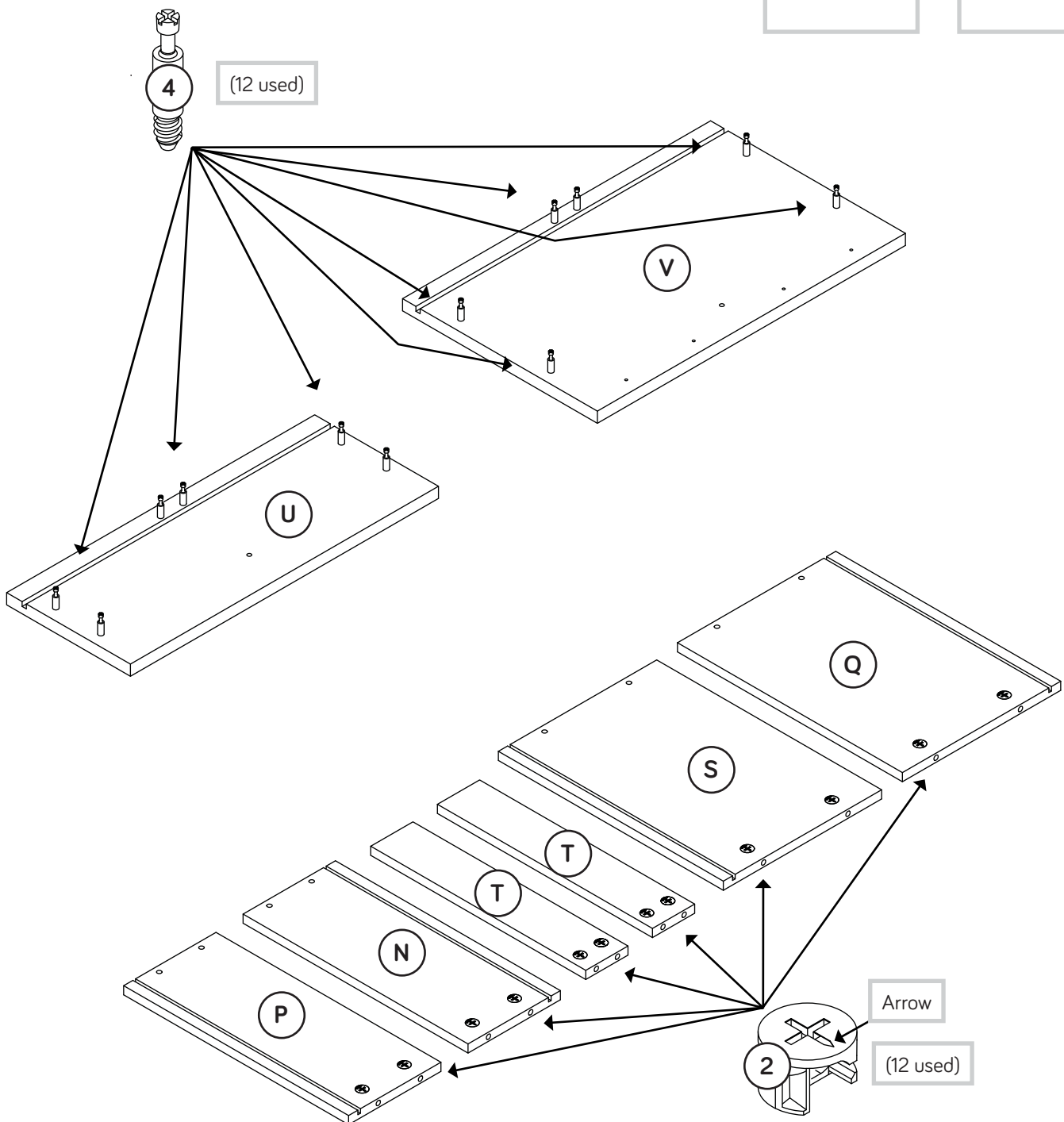
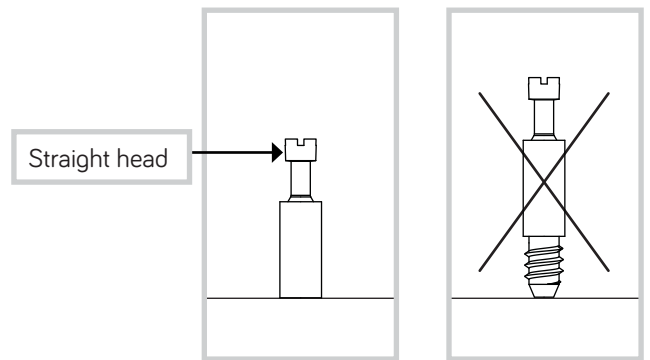
Caution

Do not stand the unit upright without the BACK fastened. The unit may collapse.



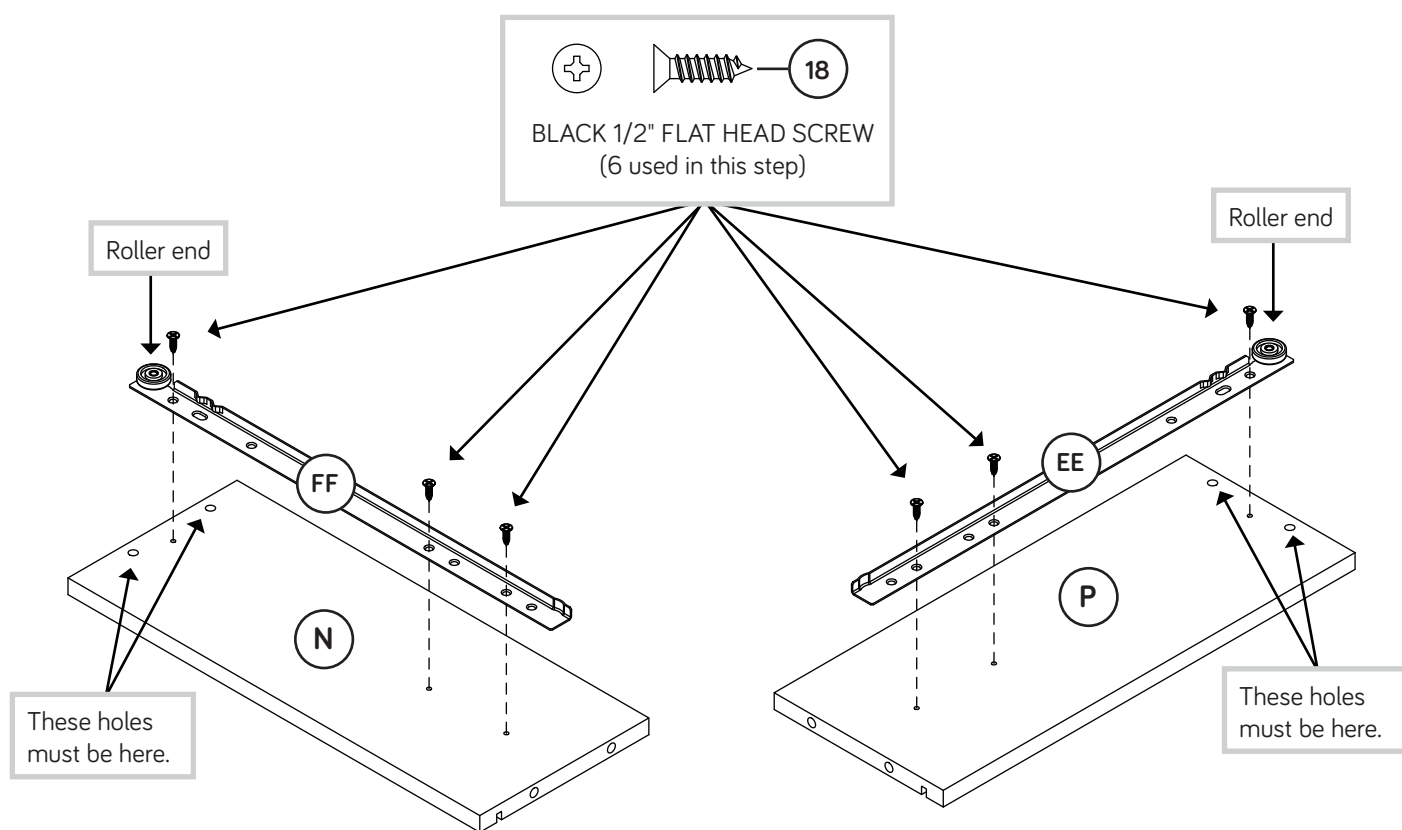
Step 12

- Turn twelve STRAIGHT HEAD CAM SCREWS (4) into the DRAWER FRONTS (U and V).
- Push twelve SMALL HIDDEN CAMS (2) into the large holes in the DRAWER SIDES (N, P, Q and R) and DRAWER BRACES (T).

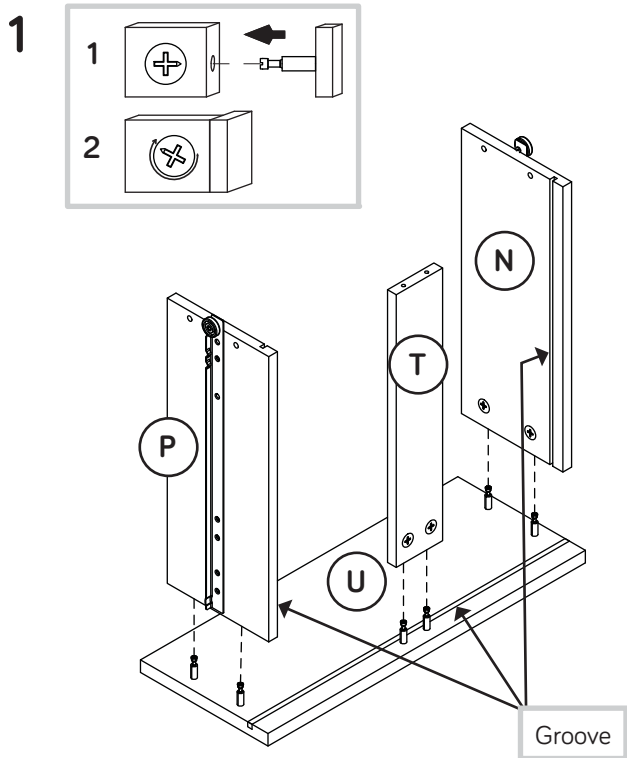


Step 13

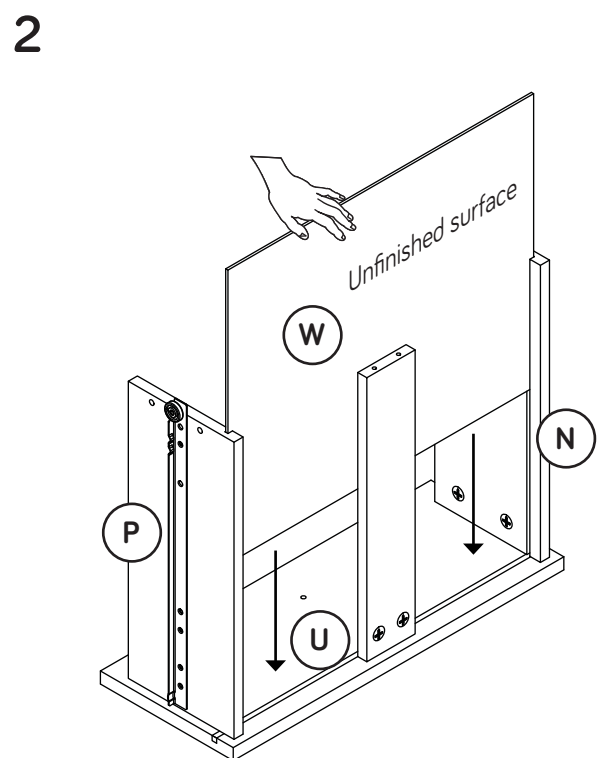
- Fasten the RIGHT DRAWER SLIDE (EE) to the RIGHT SMALL DRAWER SIDE (P) and the LEFT DRAWER SLIDE (FF) to the LEFT SMALL DRAWER SIDE (N). Use six BLACK 1/2" FLAT HEAD SCREWS (18).



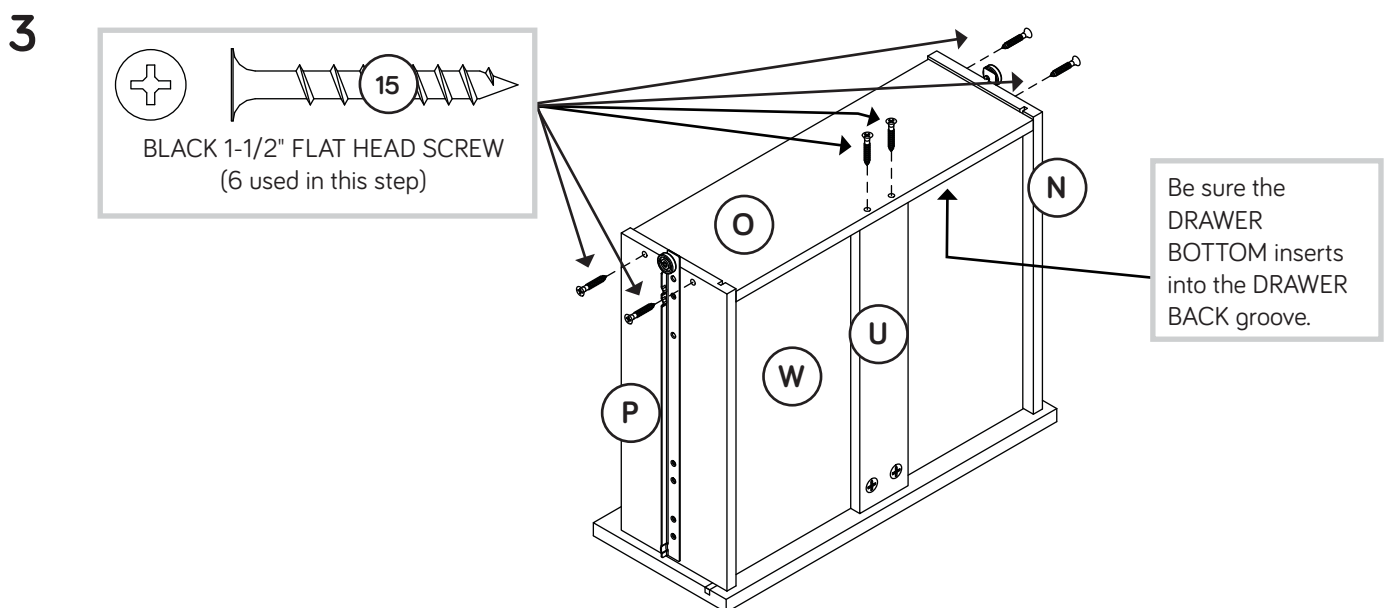
Step 14



Fasten the SMALL DRAWER SIDES (N and P) and DRAWER BRACE (T) to the SMALL DRAWER FRONT (U). Tighten six SMALL HIDDEN CAMS.



Slide a DRAWER BOTTOM (W) into the grooves in the DRAWER SIDES (N and P) and SMALL DRAWER FRONT (U).



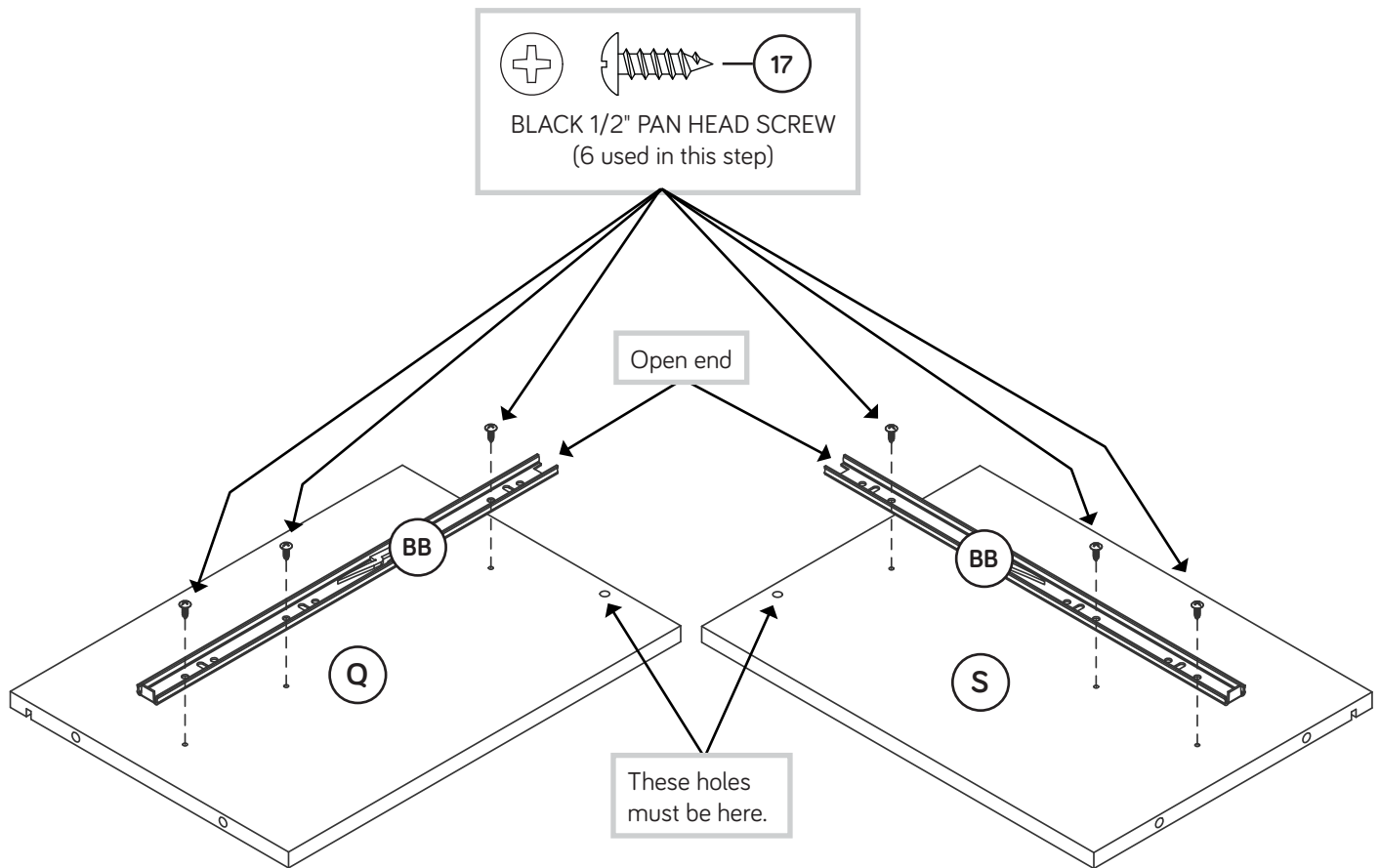
Be sure the DRAWER BOTTOM inserts into the DRAWER BACK groove.

Fasten the SMALL DRAWER BACK (O) to the SMALL DRAWER SIDES (N and P) and DRAWER BRACE (U). Use six BLACK 1-1/2" FLAT HEAD SCREWS (15).

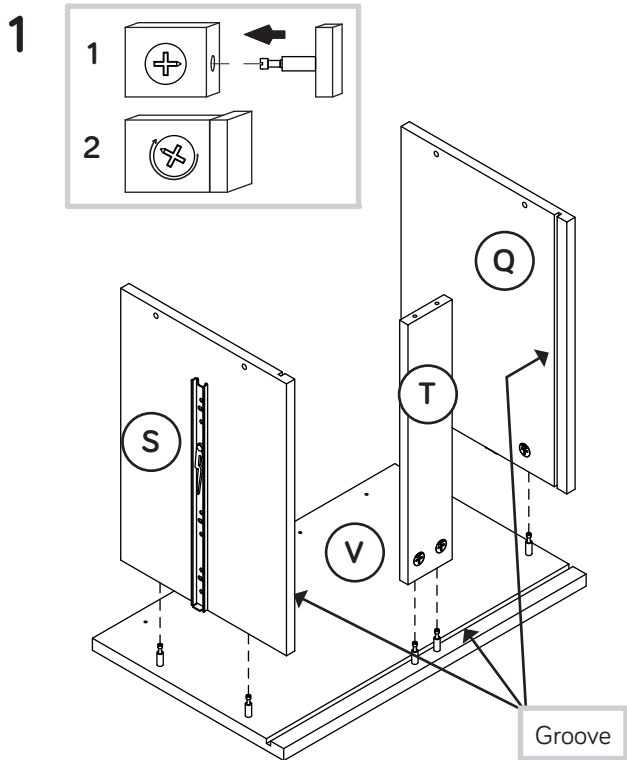
NOTE: Be sure the DRAWER BOTTOM (W) inserts into the groove of the DRAWER BACK

Step 15

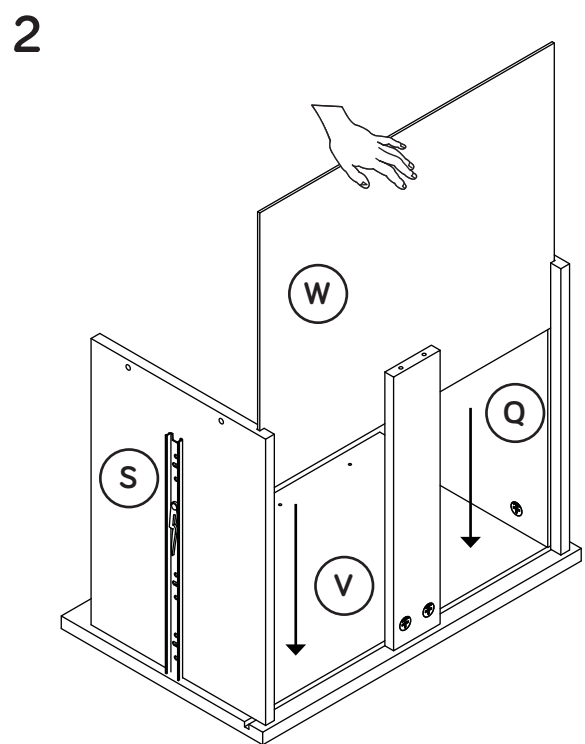
- Fasten the EXTENSION SLIDES (BB) to the LARGE DRAWER SIDES (Q and S). Use six BLACK 1/2" PAN HEAD SCREWS (17).



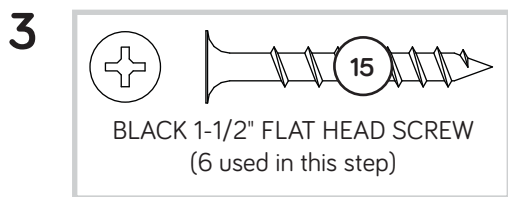
Step 16



Fasten the LARGE DRAWER SIDES (Q and S) and DRAWER BRACE (T) to the LARGE DRAWER FRONT (V). Tighten six SMALL HIDDEN CAMS.



Slide a DRAWER BOTTOM (W) into the grooves in the LARGE DRAWER SIDES (Q and S) and LARGE DRAWER FRONT (V).



BLACK 1-1/2" FLAT HEAD SCREW
(6 used in this step)

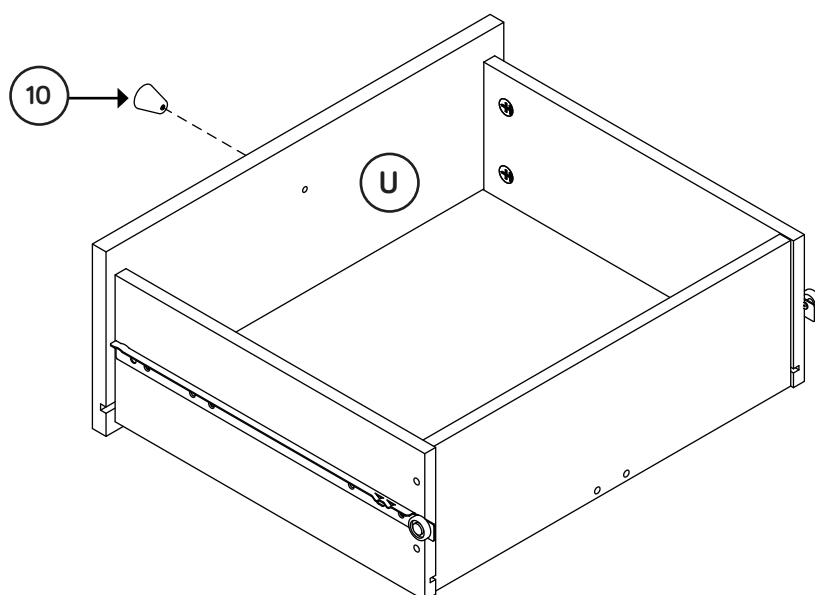
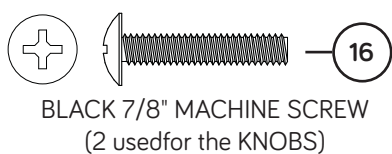
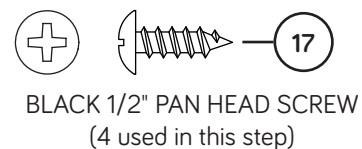
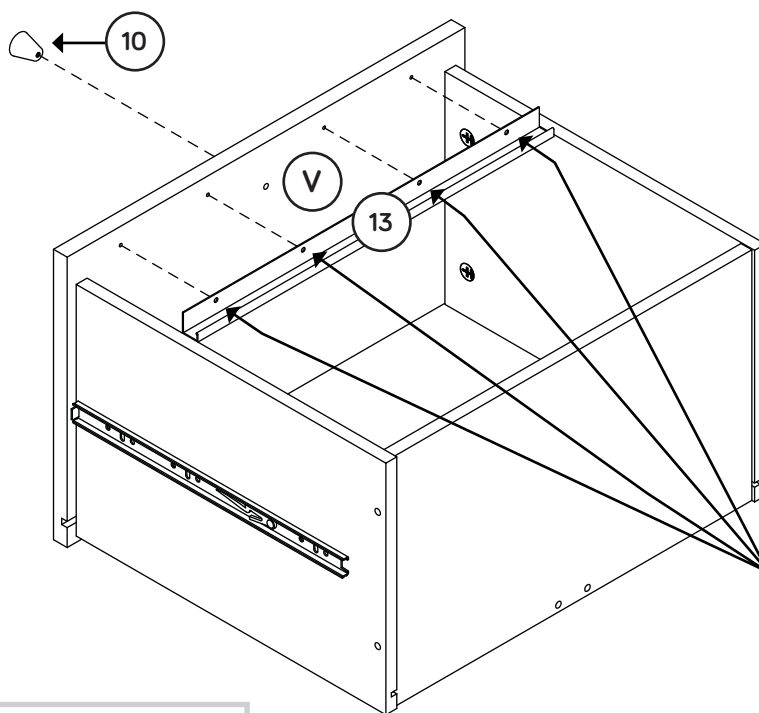
Be sure the DRAWER BOTTOM inserts into the DRAWER BACK groove.

Fasten the LARGE DRAWER BACK (R) to the LARGE DRAWER SIDES (Q and S) and DRAWER BRACE (T). Use six BLACK 1-1/2" FLAT HEAD SCREWS (15).

NOTE: Be sure the DRAWER BOTTOM (W) inserts into the groove of the LARGE DRAWER BACK

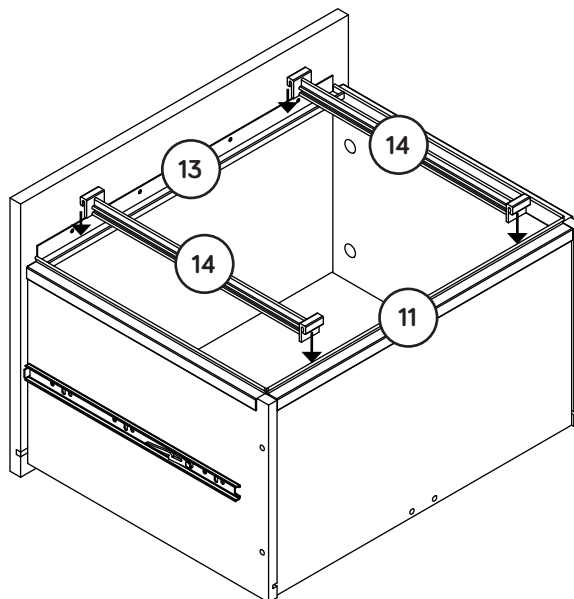
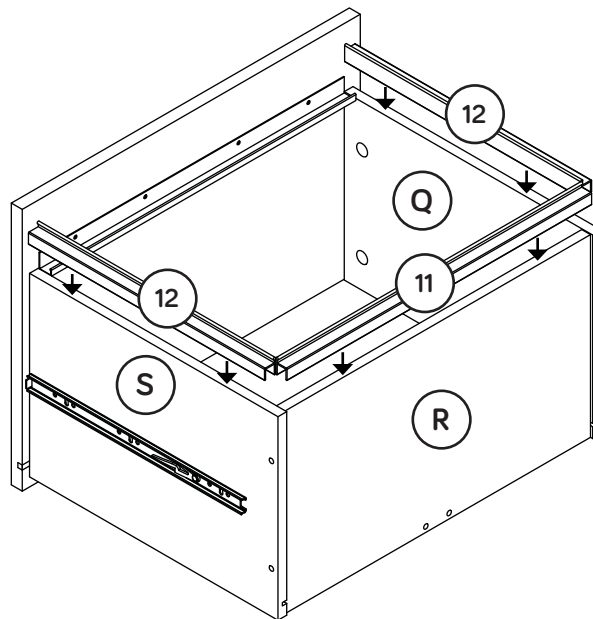
Step 17

- Fasten the KNOBS (10) to the DRAWER FRONTS (U and V). Use two BLACK 7/8" MACHINE SCREWS (16).
- Fasten the FRONT FILE GLIDE (13) to the LARGE DRAWER FRONT (V). Use four BLACK 1/2" PAN HEAD SCREWS (17).



Step 18

- ✚ Push the LONG FILE GLIDE (11) onto the LARGE DRAWER BACK (R) as shown in the upper diagram.
- ✚ Push the SHORT FILE GLIDES (12) onto the LARGE DRAWER SIDES (Q and S) as shown in the upper diagram.
- ✚ Push the FILE HANGERS (14) onto the FRONT FILE GLIDE (13) and LONG FILE GLIDE (11) as shown in the lower diagram.

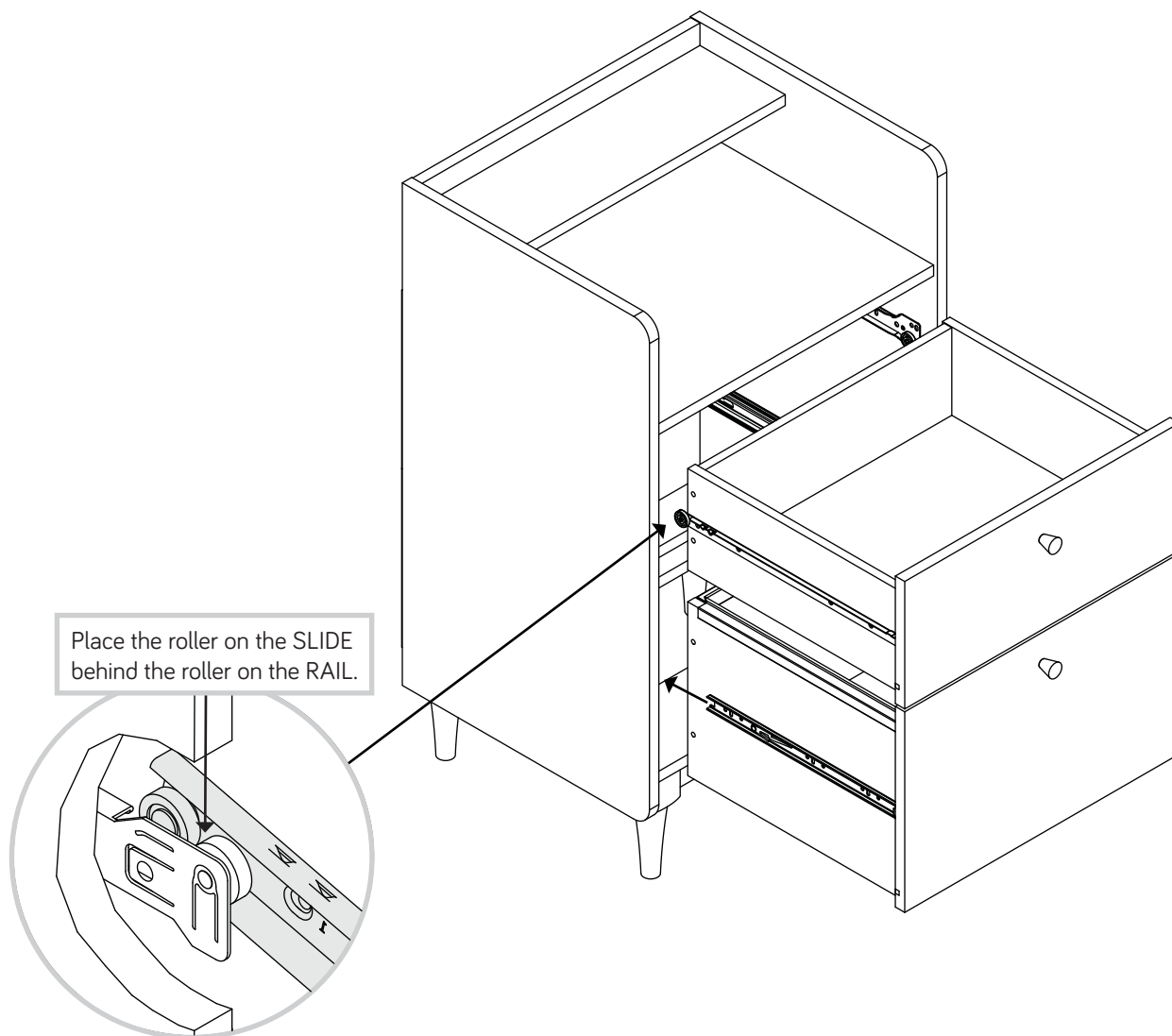


Step 19

- ✚ Carefully stand your unit upright.
- ✚ To insert the small drawer into your unit, tip the front of the drawer down and drop the rollers on the drawer behind the rollers on the unit. Lift the front of the drawer up and slide it into the unit.
- ✚ To insert the large drawer into your unit, line up the EXTENSION SLIDES on the drawer with the EXTENSION RAILS on the unit and push the drawer into the unit until the drawer is fully inserted. The drawer will push in hard until it is all the way in, then it will slide in and out easier.

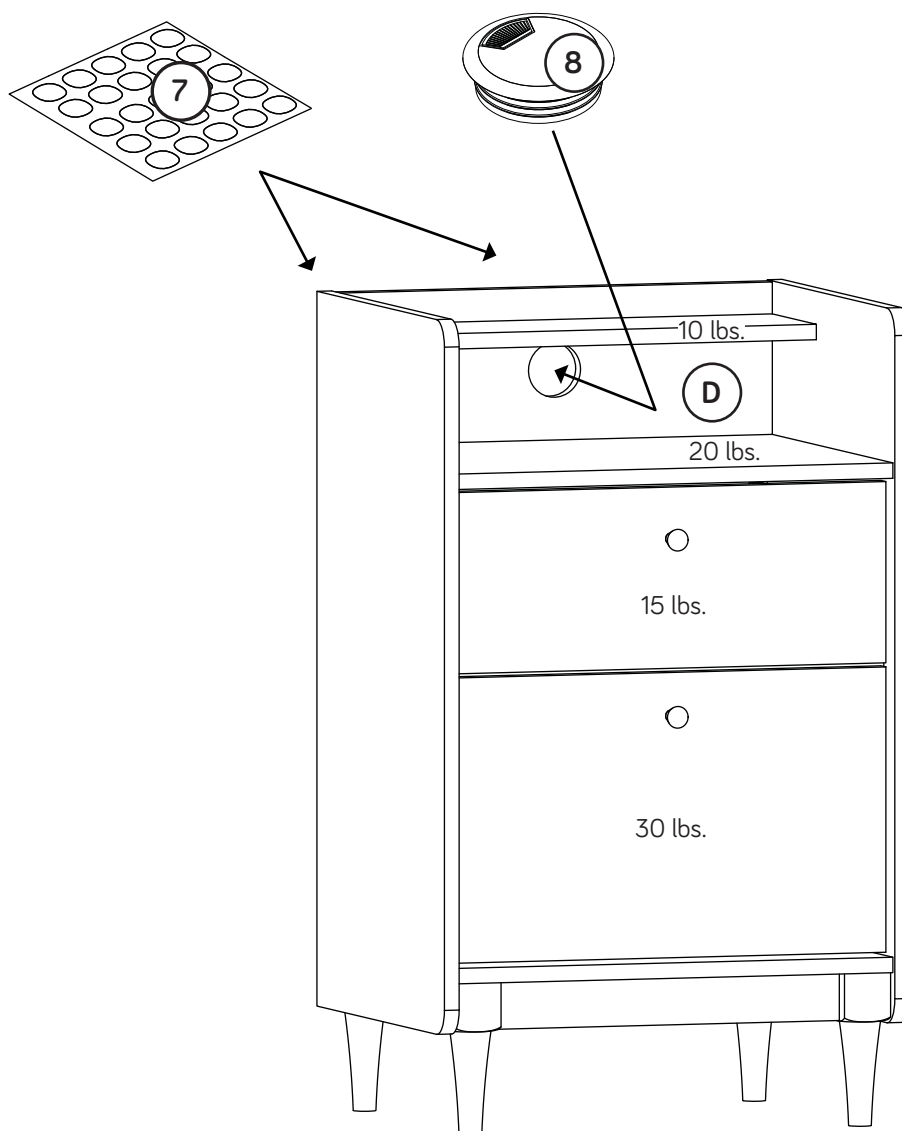


Pro Tip: Lift with your legs. And, you know, your arms.



Step 20

- ✚ Push the GROMMET (8) into the large hole in the UPPER BACK (D).
- ✚ Peel an APPLIQUE from the APPLIQUE CARD (7) and stick them onto each HIDDEN CAM.
- ✚ **NOTE:** Please read the back pages of the instruction booklet for important safety information.
- ✚ This completes assembly. Clean with your favorite furniture polish or a damp cloth. Wipe dry.



⚠ CAUTION

Please use your furniture correctly and safely. Improper use can cause safety hazards, or damage to your furniture or household items. ***Carefully read the following chart.***

Look out for:	What can happen:	How to avoid the problem:
<ul style="list-style-type: none">Overloaded file cabinet drawers.	<ul style="list-style-type: none">Risk of injury.Top-heavy furniture can tip over.Overloaded drawers can break.	<ul style="list-style-type: none">Never exceed the weight limits shown in the instructions.Work from bottom to top when loading drawers. Place the heavier items on lower drawers.
<ul style="list-style-type: none">Improperly moving the file cabinet.	<ul style="list-style-type: none">Risk of injury or equipment damage.The file cabinet can tip if not moved carefully over obstacles or across a changing floor surface (for example, from a wood floor to a carpeted floor).	<ul style="list-style-type: none">Lift the file cabinet so the casters clear any obstacles or abrupt changes in the floor surface.
<ul style="list-style-type: none">Placing TVs on furniture items that are not designed to support a television is hazardous.	<ul style="list-style-type: none">Risk of injury or death. TVs can be very heavy. Plus the weight and location of the picture tube tends to make TVs unbalanced and prone to tipping forward.	<ul style="list-style-type: none">This product is not designed to support a television.