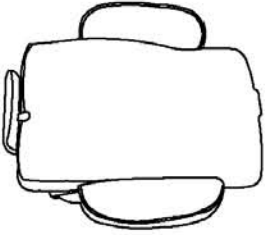
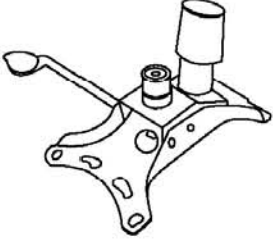





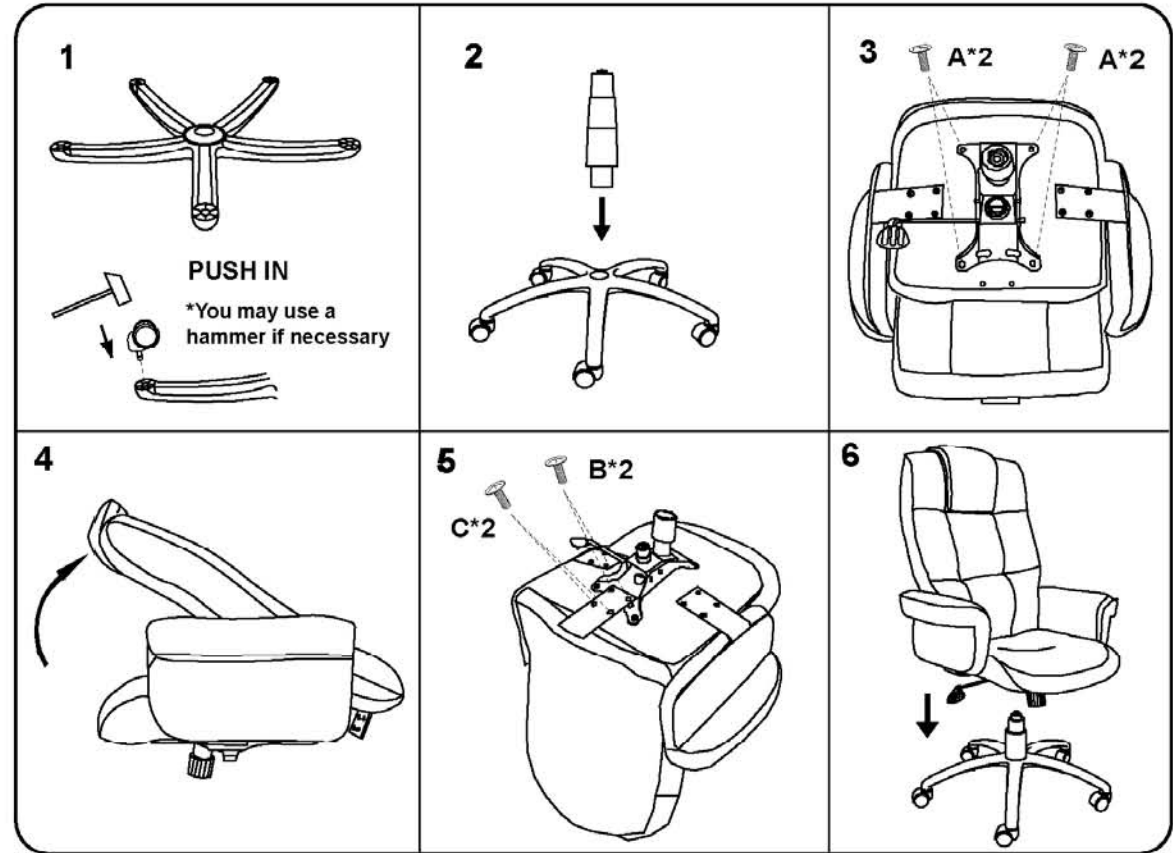
# MODEL : LOMBARD

B9001C

(1)x1		(2)x1
		 Part: Mechanism
(3)x5	(4)x1	(5)x1
 Caster	 Gas Lift W/ Cover	 Base

**Please unscrew all screws from cushion before assembly.**

(A)x4		M8X22	MECHANISM SCREW
(B)x2		M6X30	L-BAR SCREW
(C)x2		M6X22	L-BAR SCREW



**It is important to assemble all parts so that the directional "Arrows" point in the same direction. Make certain that all screws are FULLY tightened before using the chair. Each month, check all screws and tighten any that may have loosened.**

