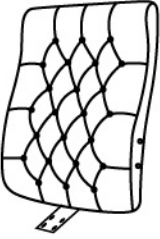
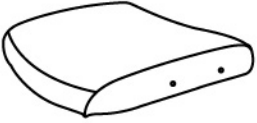
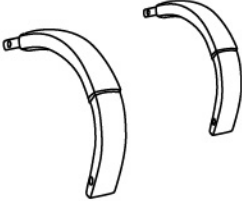
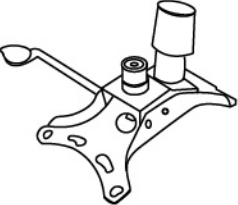

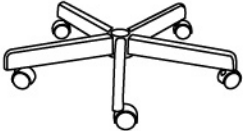
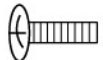

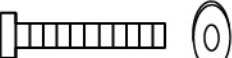




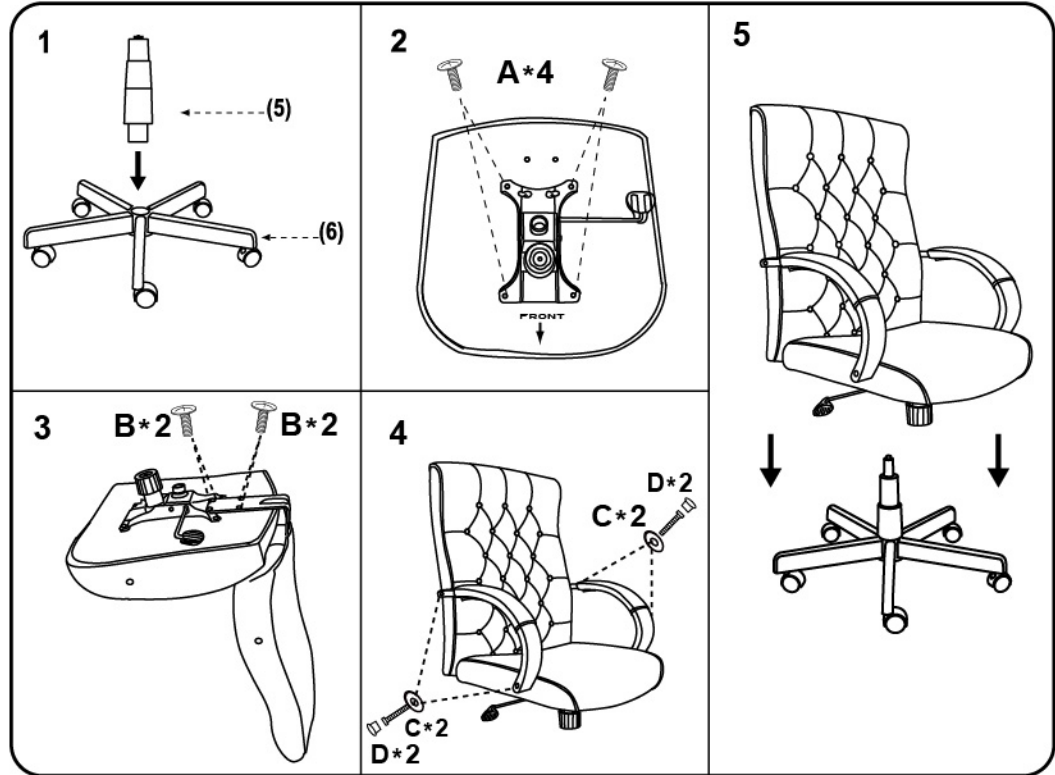
IMPORTANT NOTICE:
HARDWARE PACKAGE IS ATTACHED ON THE BOTTOM
OF SEAT CUSHION.

(1)x1  Back Cushion	(2)x1  Seat Cushion	(3)x1 (L)x1 (R)  Left Arm & Right Arm
(4)x1  Mechanism	(5)x1  Gas Lift W/ Cover	(6)x1  Base
(A)X4  M8*22 MECHANISM SCREW	(B)X4  M6*30 L-BAR SCREW	(C)X4  M6*55 ARM SCREW
(D)X4  WOOD CAP	(E)X1  ALLEN KEY	

Teknik Office Ltd, West One 63-67 Bromham Road,
 Bedford, MK40 2FG

TEL:01234 328804 FAX:01234 342446

If you encounter any problems with the operation of
 your chair, please refer to the downloads section of
 our web site - www.teknikoffice.co.uk



**Insert and loosely tighten all screws. When assembly
 is completed, fully tighten all screws before using.
 This chair is only intended for sitting. Any other use
 will void the warranty.**

