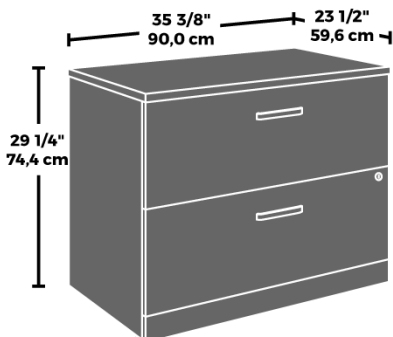


AFFILIATE LATERAL FILE UNIT

PRODUCT SHEET

FURNITURE

Product Code : 5427871



- Durable, 1" thick top
- Melamine top surface is heat, stain and scratch resistant
- Two drawers with full extension sides hold letter, legal or European size hanging files
- Lockable Drawers for security.
- Hudson Elm Effect Finish

N.B: All measurements are approximate