

5-Shelf Bookcase

Hudson Elm finish | **Model 5427457**

NOTE: THIS INSTRUCTION BOOKLET CONTAINS **IMPORTANT** SAFETY INFORMATION. PLEASE READ AND KEEP FOR FUTURE REFERENCE.

English pg 1-14
Français pg 15-17
Español pg 18-20

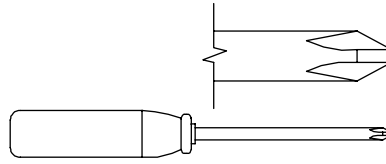
Lot # **566580**
Purchased:

11/23/21

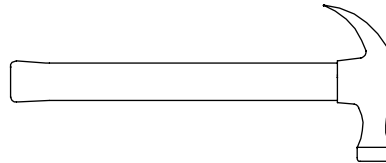
Table of Contents

Assembly Tools Required

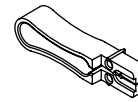
Part Identification	3
Hardware Identification	4
Hardware Usage Guide	5
Assembly Steps	5-14
Français	15-17
Español	18-20
Safety	21-22
Warranty	23



No. 2 Phillips Screwdriver
Tip Shown Actual Size



Hammer
Not actual size 😊



Nail Holder (provided)

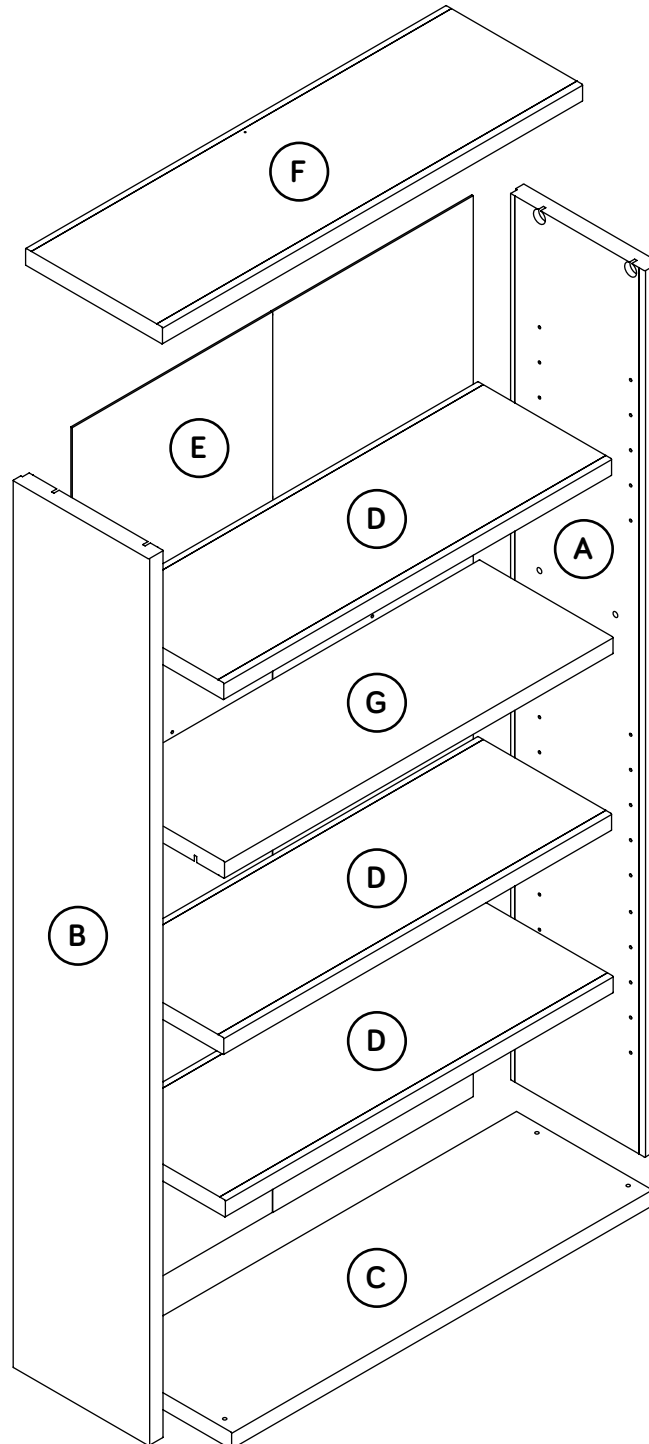
Part Identification

Now you know
our ABCs.



† While not all parts are labeled, some of the parts will have a label or an inked letter on the edge to help distinguish similar parts from each other. Use this part identification to help identify similar parts.

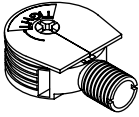
A	RIGHT END (1)	D	ADJUSTABLE SHELF (3)	F	TOP (1)
B	LEFT END (1)	E	BACK (1)	G	FIXED SHELF (1)
C	BOTTOM (1)				



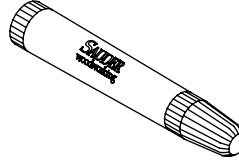
Hardware Identification

† Screws are shown actual size. You may receive extra hardware with your unit.

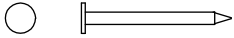
44F TWIST-LOCK® FASTENER - 8



10M TOUCH-UP PEN - 1



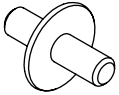
1N NAIL - 43



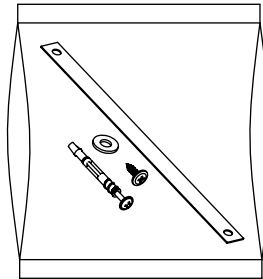
2R RUBBER SLEEVE - 12



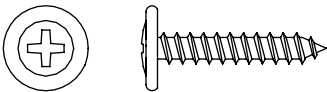
10R SHELF REST - 12



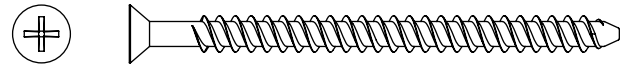
97 FURNITURE TIPPING RESTRAINT KIT - 1



17S BLACK 7/8" LARGE HEAD SCREW - 2



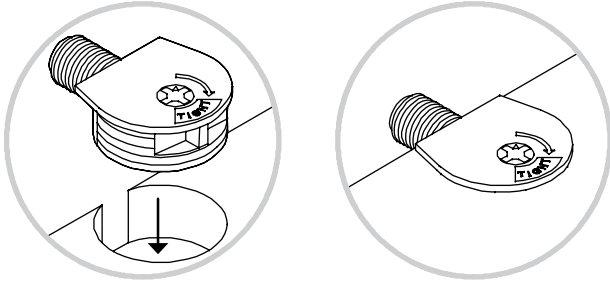
147S BLACK 2-9/16" FLAT HEAD SCREW - 4



Hardware Usage Guide

HOW TO USE A TWIST-LOCK® FASTENER

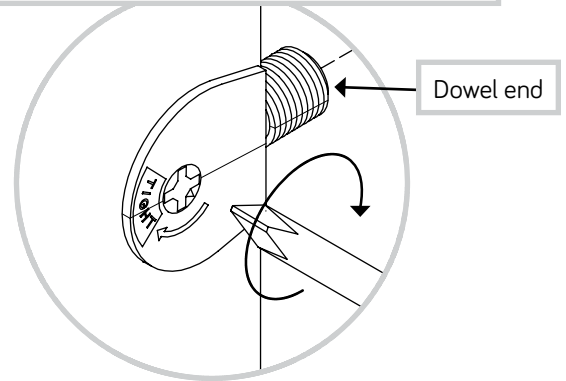
1. Push a TWIST-LOCK® FASTENER into the large hole in the part.



2. 1. Insert the dowel end of the FASTENER into the hole of the adjoining part.

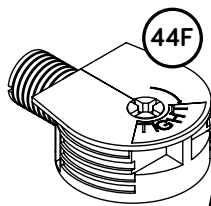
NOTE: The dowel end of the FASTENER must remain fully inserted in the hole of the adjoining part while locking the FASTENER.

2. 2. Tighten the FASTENER with a Phillips screwdriver as tight as possible.

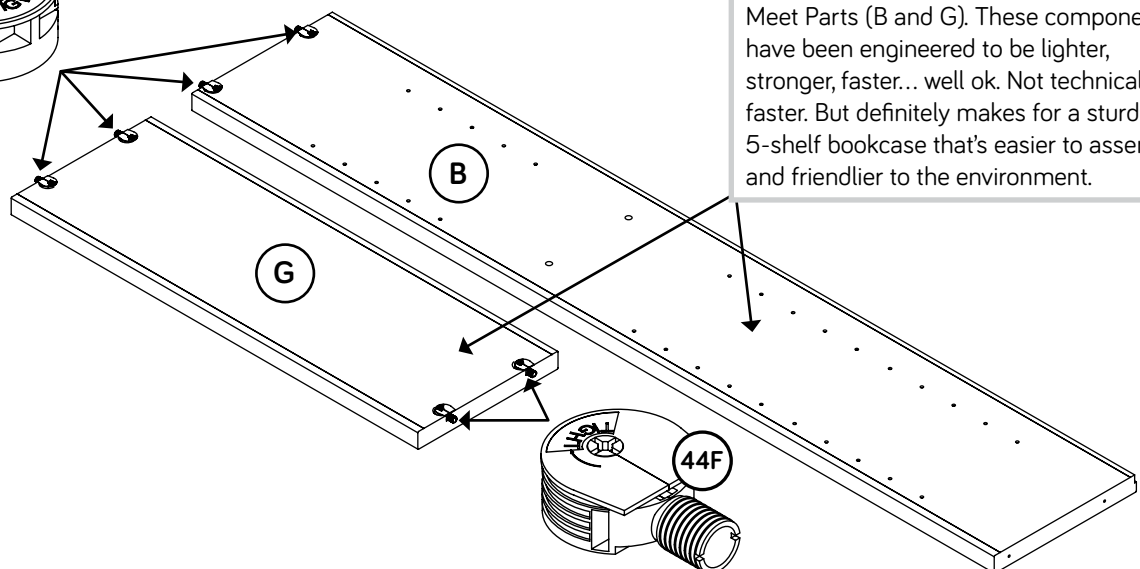


Step 1

- ⚡ Assemble your unit on a carpeted floor or on the empty carton to avoid scratching your unit or the floor.
- ⚡ Push six SAUDER TWIST-LOCK® FASTENERS (44F) into the large holes in the LEFT END (B) and FIXED SHELF (G).



Do not tighten the TWIST-LOCK® FASTENERS in this step.



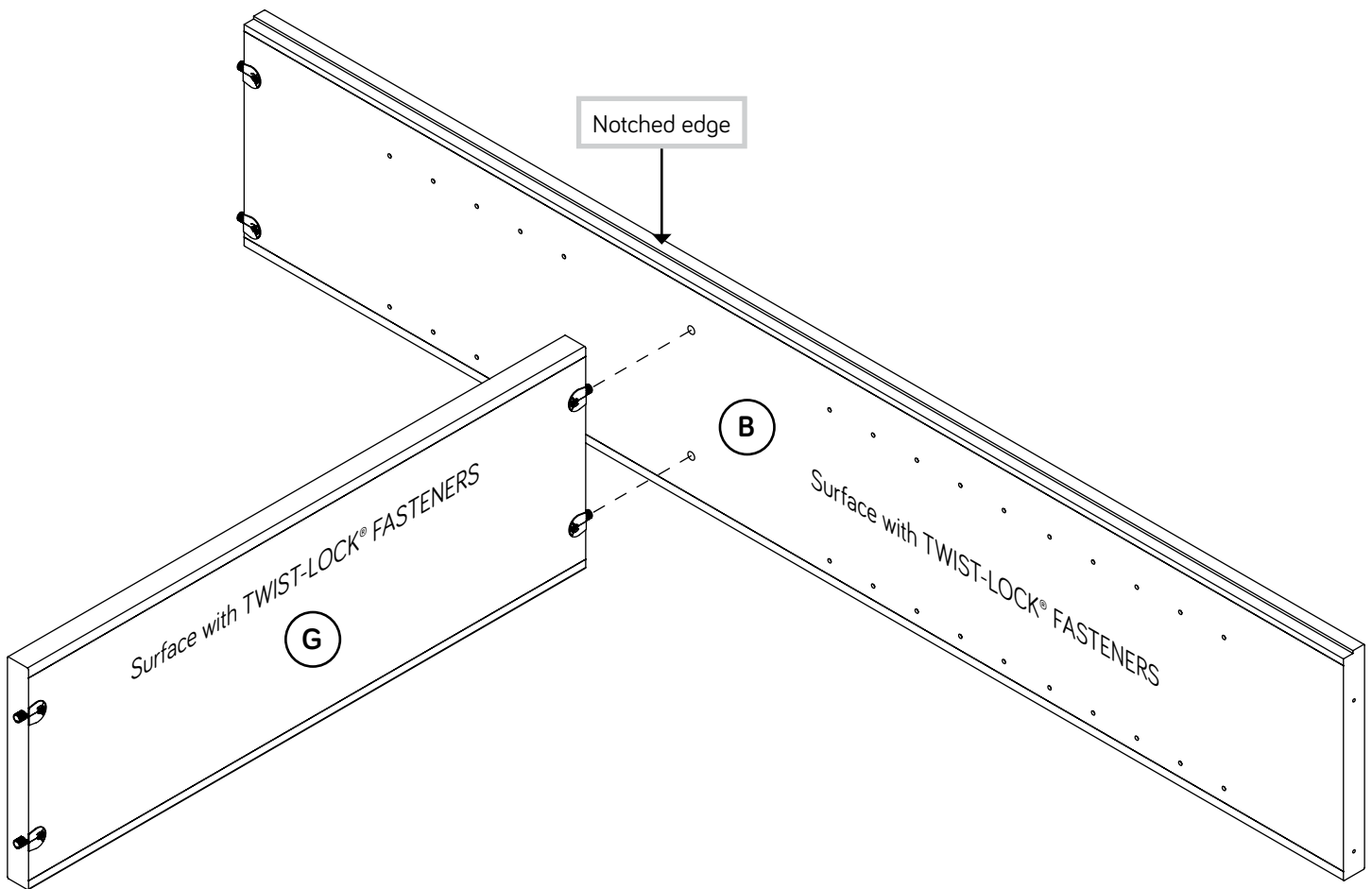
Meet Parts (B and G). These components have been engineered to be lighter, stronger, faster... well ok. Not technically faster. But definitely makes for a sturdier 5-shelf bookcase that's easier to assemble and friendlier to the environment.

Step 2

- Fasten the FIXED SHELF (G) to the LEFT END (B).
Tighten two TWIST-LOCK® FASTENERS.



Some assembly
(and snacks) required.

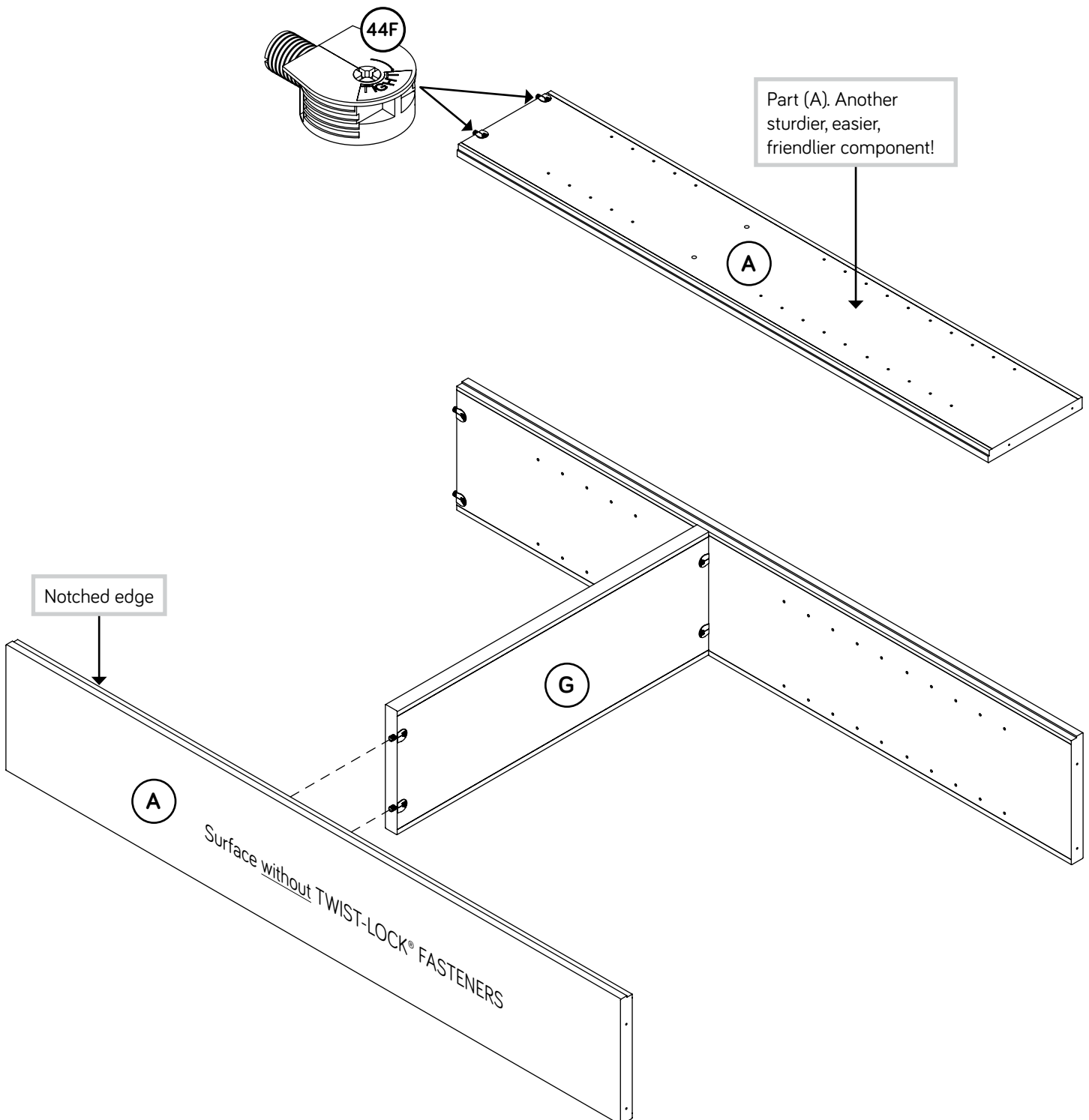


Step 3

- Push two SAUDER TWIST-LOCK® FASTENERS (44F) into the large holes in the RIGHT END (A).
- Fasten the RIGHT END (A) to the FIXED SHELF (G). Tighten two TWIST-LOCK® FASTENERS.

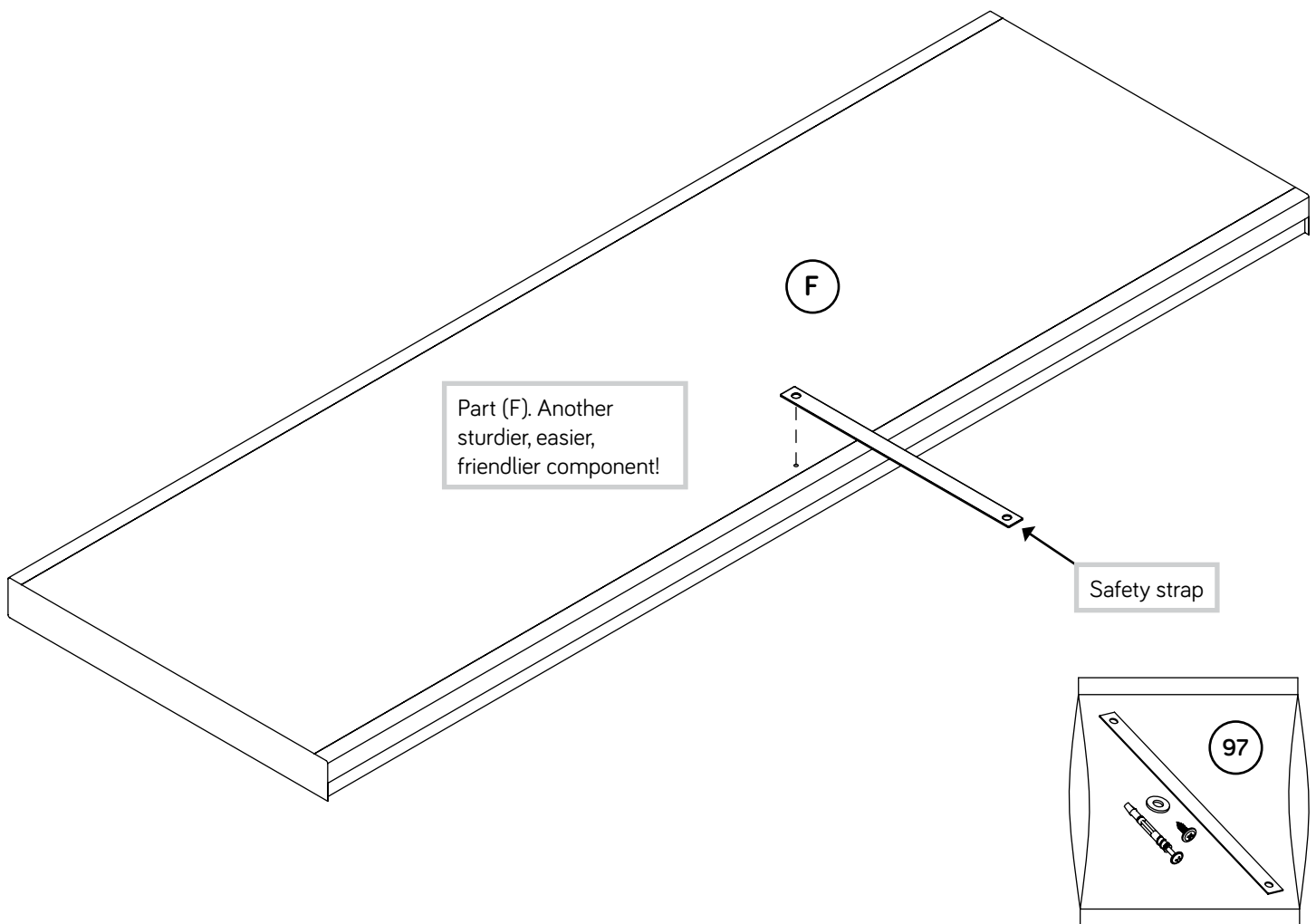
Caution

Do not stand the unit upright without the BACK fastened. The unit may collapse.



Step 4

- ✚ Open the FURNITURE TIPPING RESTRAINT KIT (97) and fasten the SAFETY STRAP to the TOP (F). Use the short screw provided.
- ✚ NOTE: Position the SAFETY STRAP exactly as shown.

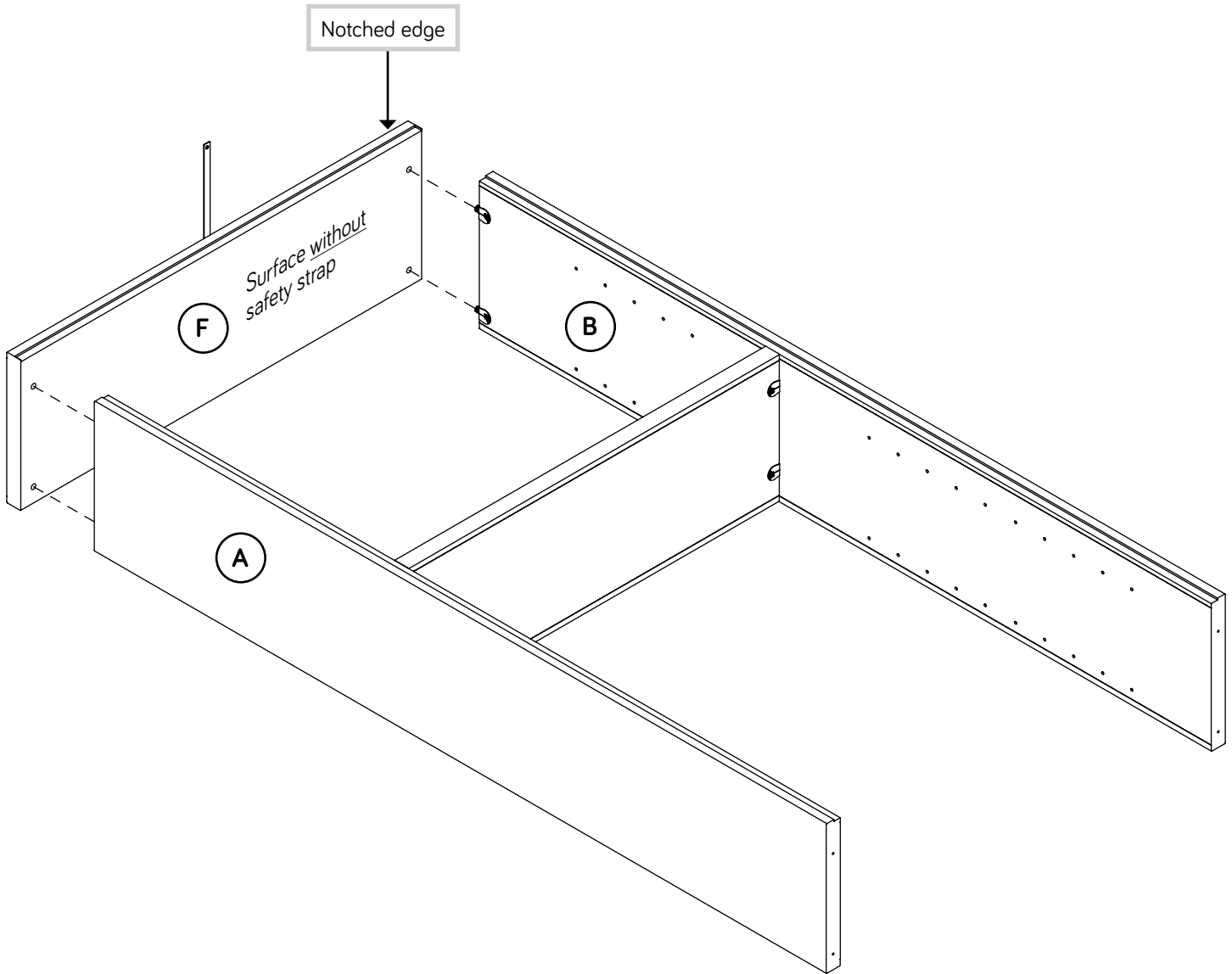


Step 5

- Fasten the TOP (F) to the ENDS (A and B).
Tighten four TWIST-LOCK® FASTENERS.

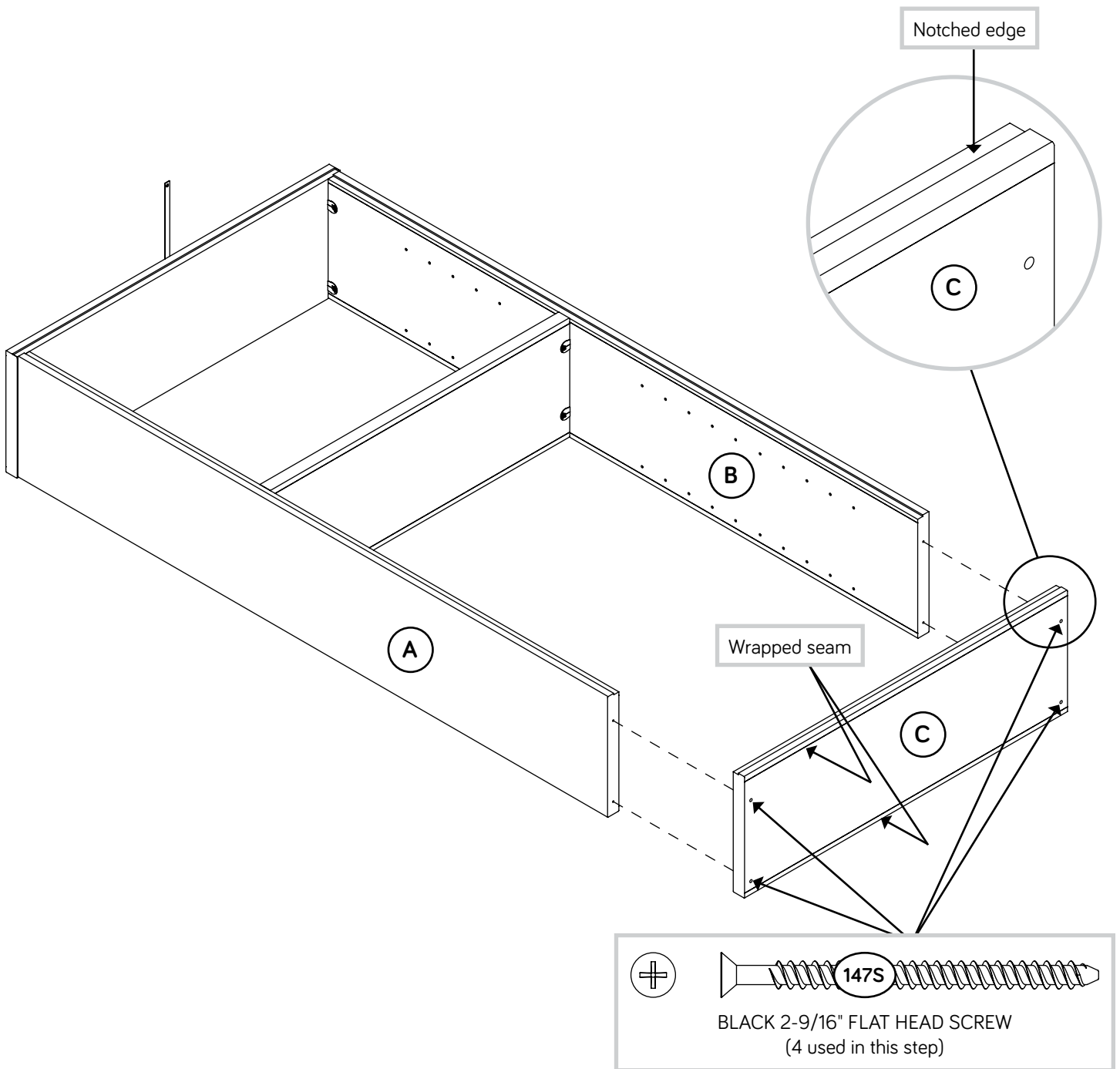


Now might be a good time to refresh your drink.



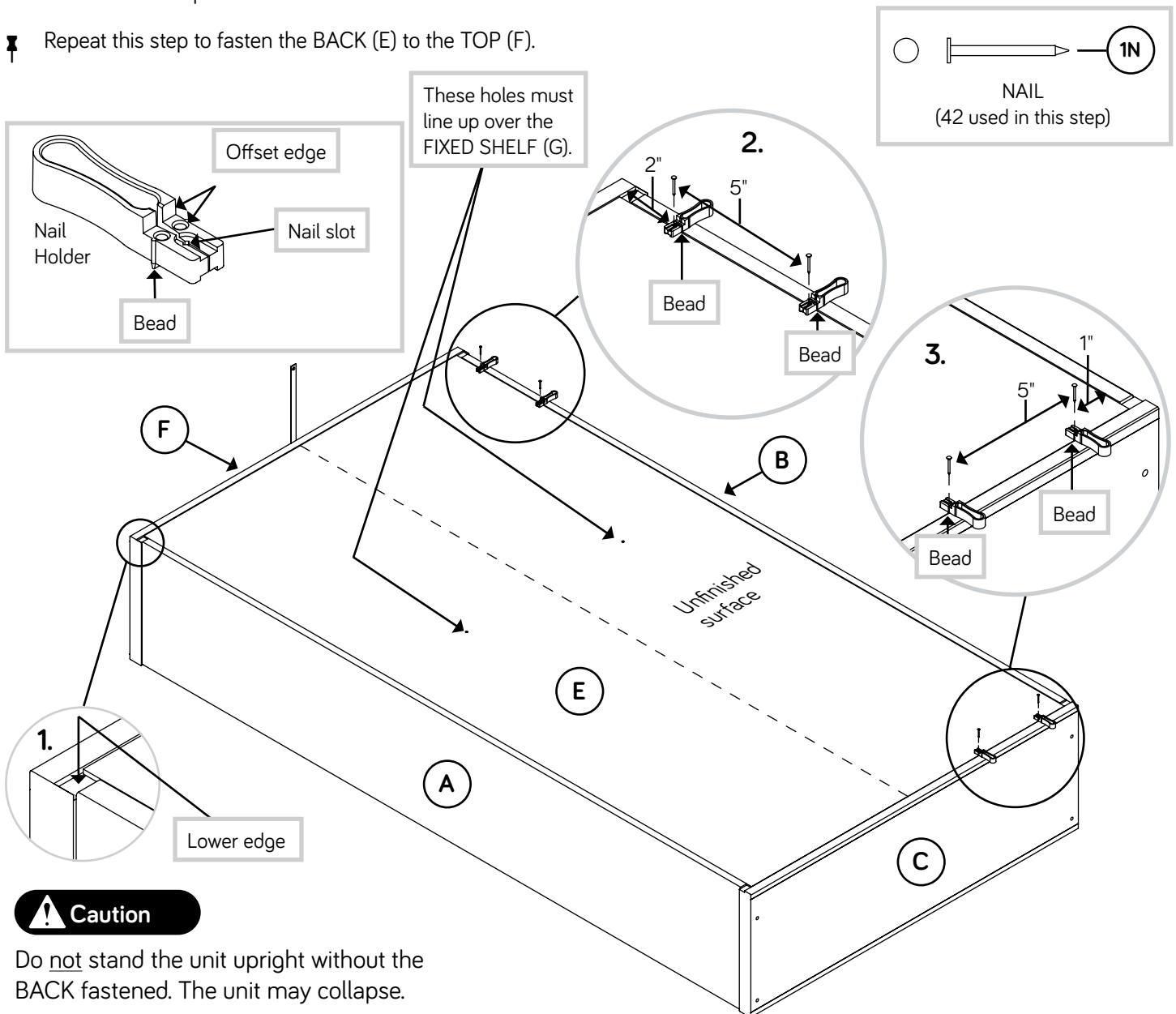
Step 6

- Fasten the BOTTOM (C) to the ENDS (A and B) as shown.
Use four BLACK 2-9/16" FLAT HEAD SCREWS (147S).



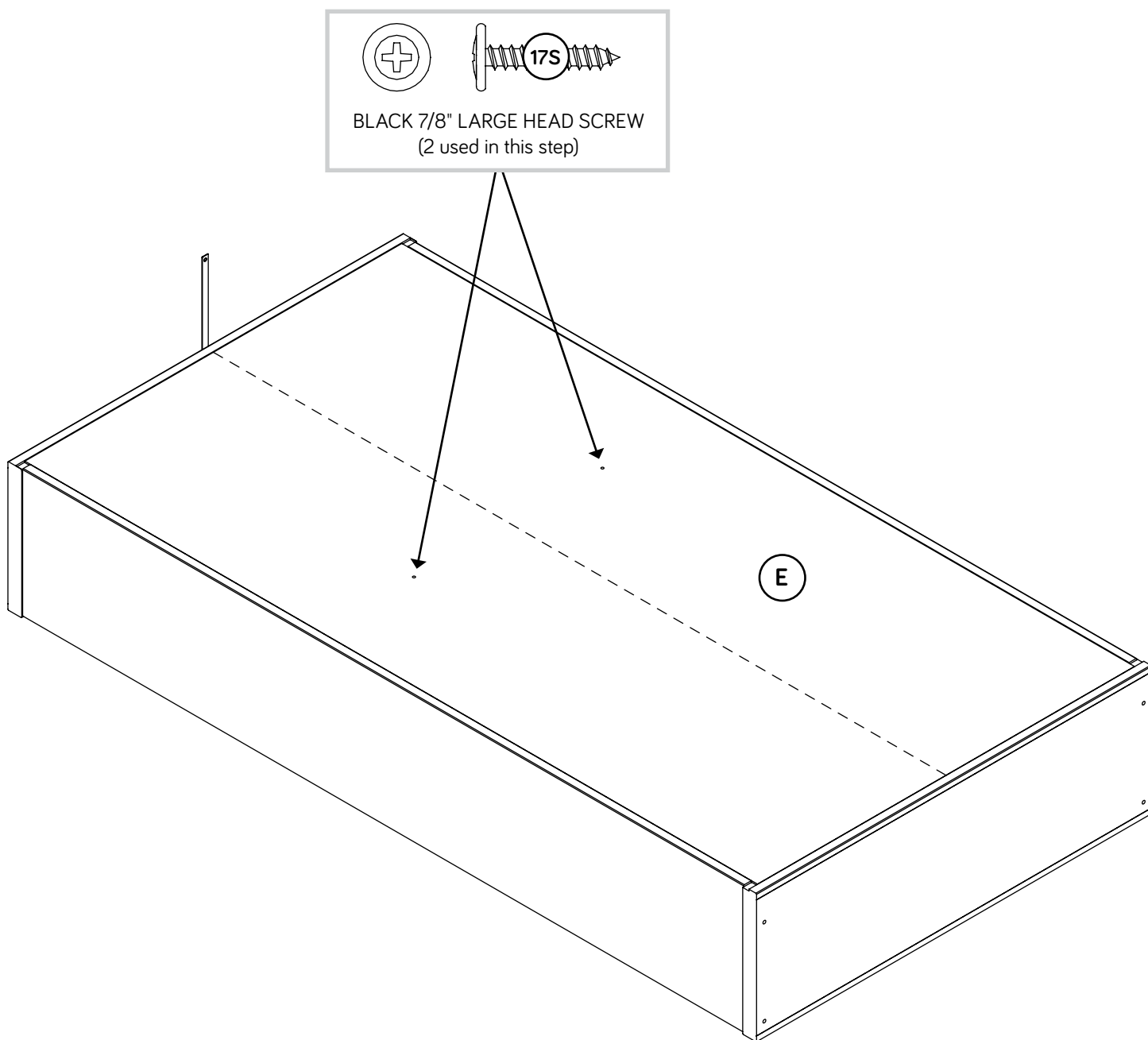
Step 7

- ✚ We have provided a Nail Holder tool to use in this step for proper positioning of the NAILS. Please refer to the parts of the Nail Holder as the bead, offset edge, and nail slot as shown in the diagram below.
- ✚ Diagram 1. Place the BACK (E) into the lower edge of the RIGHT END (A) with the top edge of the BACK (E) against the lower edge of the TOP (F).
- ✚ Diagram 2. Place the bead of the Nail Holder down between the BACK (E) and LEFT END (B) 2" from the corner. Place a NAIL (1N) into the nail slot of the Nail Holder. Tap the NAIL through the BACK and into lower edge of the LEFT END. Remove the Nail Holder from the NAIL and completely tap the NAIL in with your hammer. Finish fastening the BACK to the LEFT END with the hammer and Nail Holder placing NAILS approximately 5" apart.
- ✚ Repeat this step to fasten the BACK (E) to the RIGHT END (A).
- ✚ Diagram 3. Fasten the BACK (E) to the BOTTOM (C) using the NAILS (1N) and Nail Holder. The NAILS should be 1" from the corners and 5" apart.
- ✚ Repeat this step to fasten the BACK (E) to the TOP (F).



Step 8

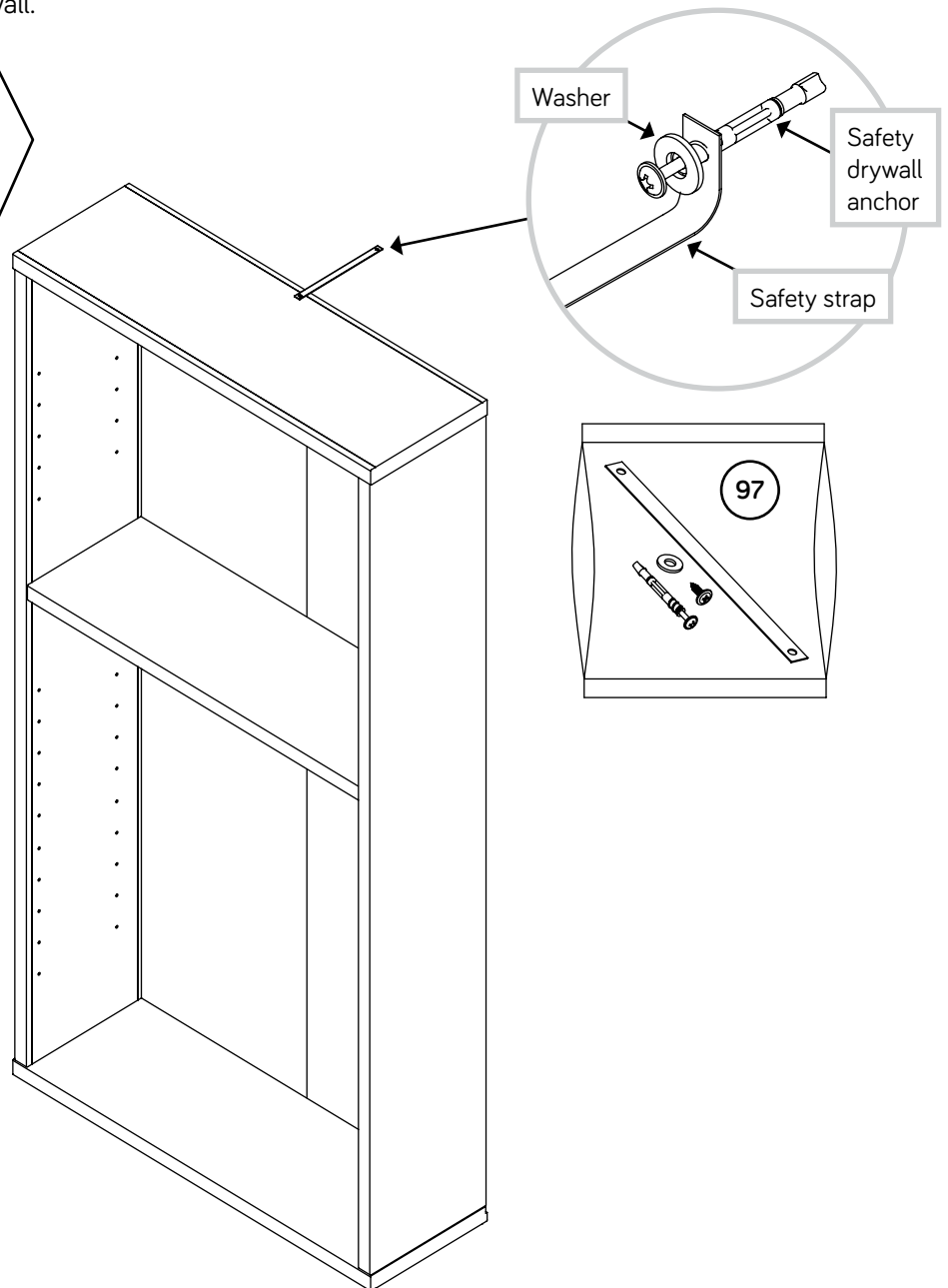
- Fasten the BACK (E) to the FIXED SHELF (G). Use two BLACK 7/8" LARGE HEAD SCREWS (17S).



Step 9

- 🔌 Carefully stand your unit upright in its final location against a wall. We recommend using the SAFETY STRAP for added stability.
- 🔌 **NOTE:** Do not turn the SAFETY DRYWALL ANCHOR into a wall stud. If you prefer to fasten the SAFETY STRAP to a wall stud, go to your local hardware store for proper hardware.
- 🔌 **INSTALLATION INSTRUCTIONS:**
 1. Insert the SAFETY DRYWALL ANCHOR through the WASHER and the end of the SAFETY STRAP.
 2. Using a Phillips screwdriver or a hand drill, press the screw slightly onto the drywall.
 3. Apply pressure; turn the screw until a pilot hole is made and the nylon sheath slips through.
 4. Turn the screw until it is flush against the wall and you feel a firm resistance.
 5. Continue to turn until the screw starts spinning freely.
- 🔌 **NOTE:** Before moving your unit to a different location, unscrew the SAFETY DRYWALL ANCHOR from your wall. The nylon sheath will remain behind your wall.

Pro Tip: Lift with your legs. And, you know, your arms.



Step 10

- ✚ Push the RUBBER SLEEVES (2R) over one end of the SHELF RESTS (10R). Insert the SHELF RESTS into the hole locations of your choice in the ENDS (A and B). Set the ADJUSTABLE SHELVES (D) onto the SHELF RESTS.
- ✚ For long-term care and maintenance of your unit, you may touch up the edges with the TOUCH-UP PEN (10M).
- ✚ **NOTE:** Please read the back pages of the instruction booklet for important safety information.
- ✚ This completes assembly. Clean with a damp cloth. Wipe dry.

