



Hutch for storage units

Hudson Elm finish | **Model 5427430**

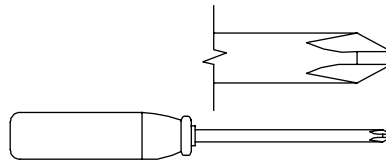
NOTE: THIS INSTRUCTION BOOKLET CONTAINS **IMPORTANT** SAFETY INFORMATION. PLEASE READ AND KEEP FOR FUTURE REFERENCE.

English pg 1-18
Français pg 19-21
Español pg 22-24

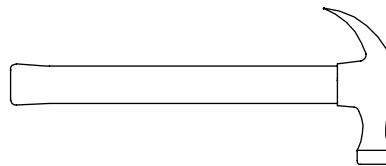
Lot # **573391**
Purchased:

11/12/21

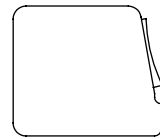
Part Identification	3
Hardware Identification	4
Hardware Usage Guide	6
Assembly Steps	7-18
Français	19-21
Español	22-24
Safety	25-26
Warranty	27



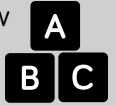
No. 2 Phillips Screwdriver
Tip Shown Actual Size



Hammer
Not actual size 😊

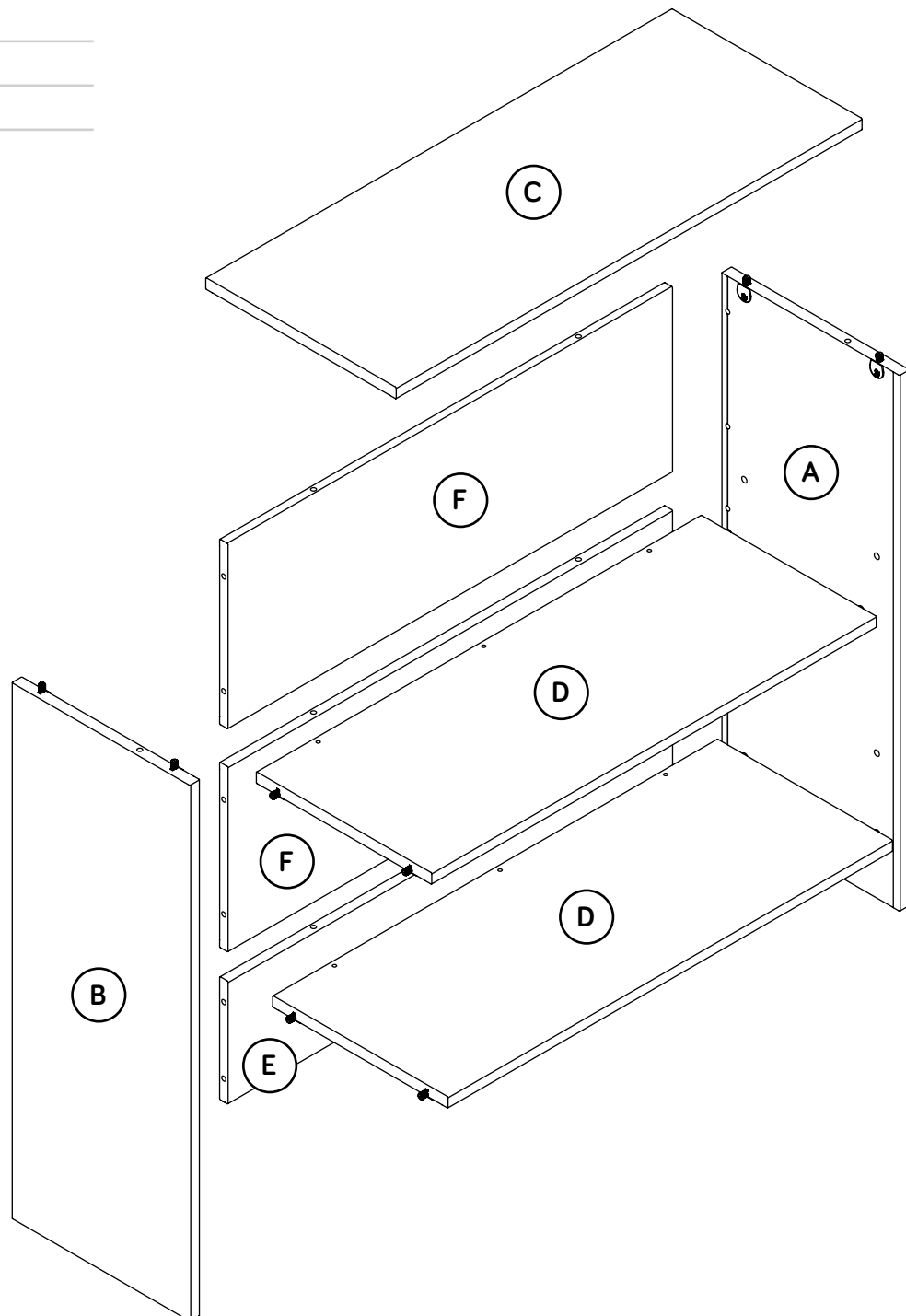


Tape Measure



⚠ While not all parts are labeled, some of the parts will have a label or an inked letter on the edge to help distinguish similar parts from each other. Use this part identification to help identify similar parts.

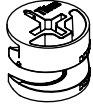
A	RIGHT END (1)
B	LEFT END (1)
C	TOP (1)
D	SHELF (2)
E	LOWER BACK (1)
F	BACK (2)



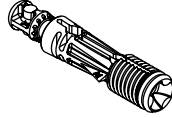
Hardware Identification

† Screws are shown actual size. You may receive extra hardware with your unit.

1F HIDDEN CAM - 18



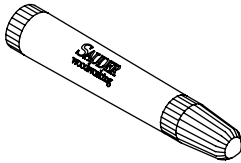
2F CAM DOWEL - 18



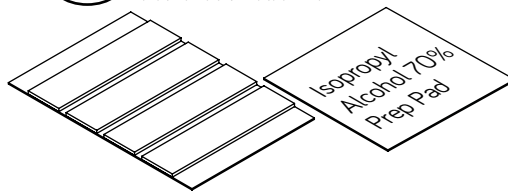
42F WOOD DOWEL - 2



10M TOUCH-UP PEN - 1



182M TAPE CARD/
PREP PAD KIT - 1



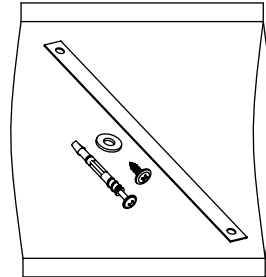
125P TWIST-LOCK®
FASTENER COVER - 12



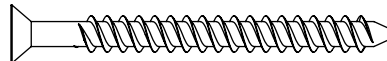
129P CAM
COVER - 18



97 FURNITURE TIPPING
RESTRAINT KIT - 1



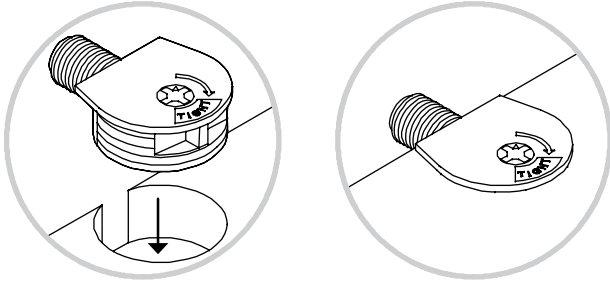
113S BLACK 1-15/16" FLAT HEAD SCREW - 6



Hardware Usage Guide

HOW TO USE A TWIST-LOCK® FASTENER

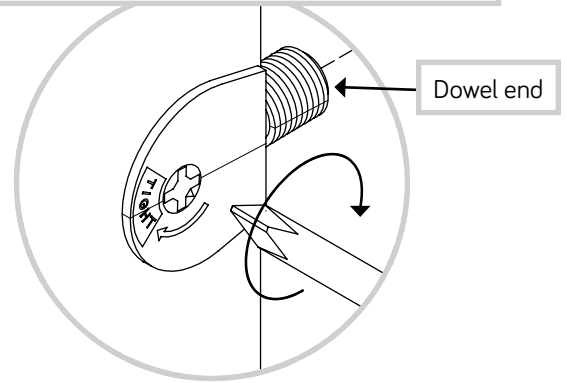
1. Push a TWIST-LOCK® FASTENER into the large hole in the part.



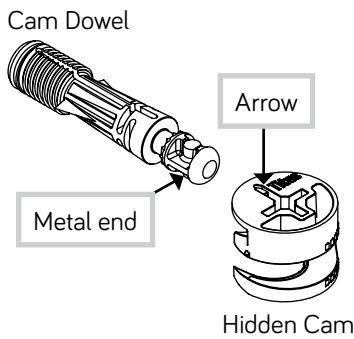
2. 1. Insert the dowel end of the FASTENER into the hole of the adjoining part.

NOTE: The dowel end of the FASTENER must remain fully inserted in the hole of the adjoining part while locking the FASTENER.

2. Tighten the FASTENER with a Phillips screwdriver as tight as possible.

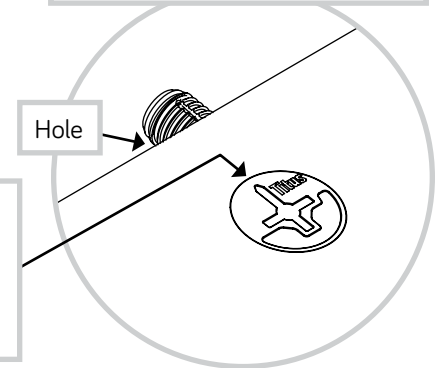


HOW TO USE A HIDDEN CAM & CAM DOWEL



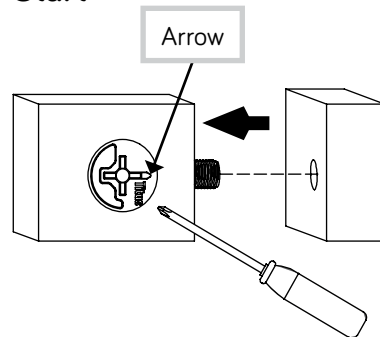
2. Insert the metal end of the CAM DOWEL into the HIDDEN CAM.

1. Push a HIDDEN CAM into the part. The arrow in the HIDDEN CAM must point toward the hole in the edge of the board.



3. **⚠ Caution**
Risk of damage or injury. HIDDEN CAMS must be completely tightened. HIDDEN CAMS that are not completely tightened may loosen, and parts may separate. To completely tighten:

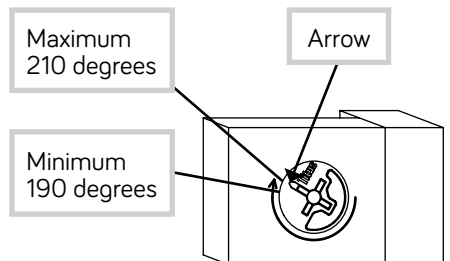
Start



Tighten

Maximum
210 degrees

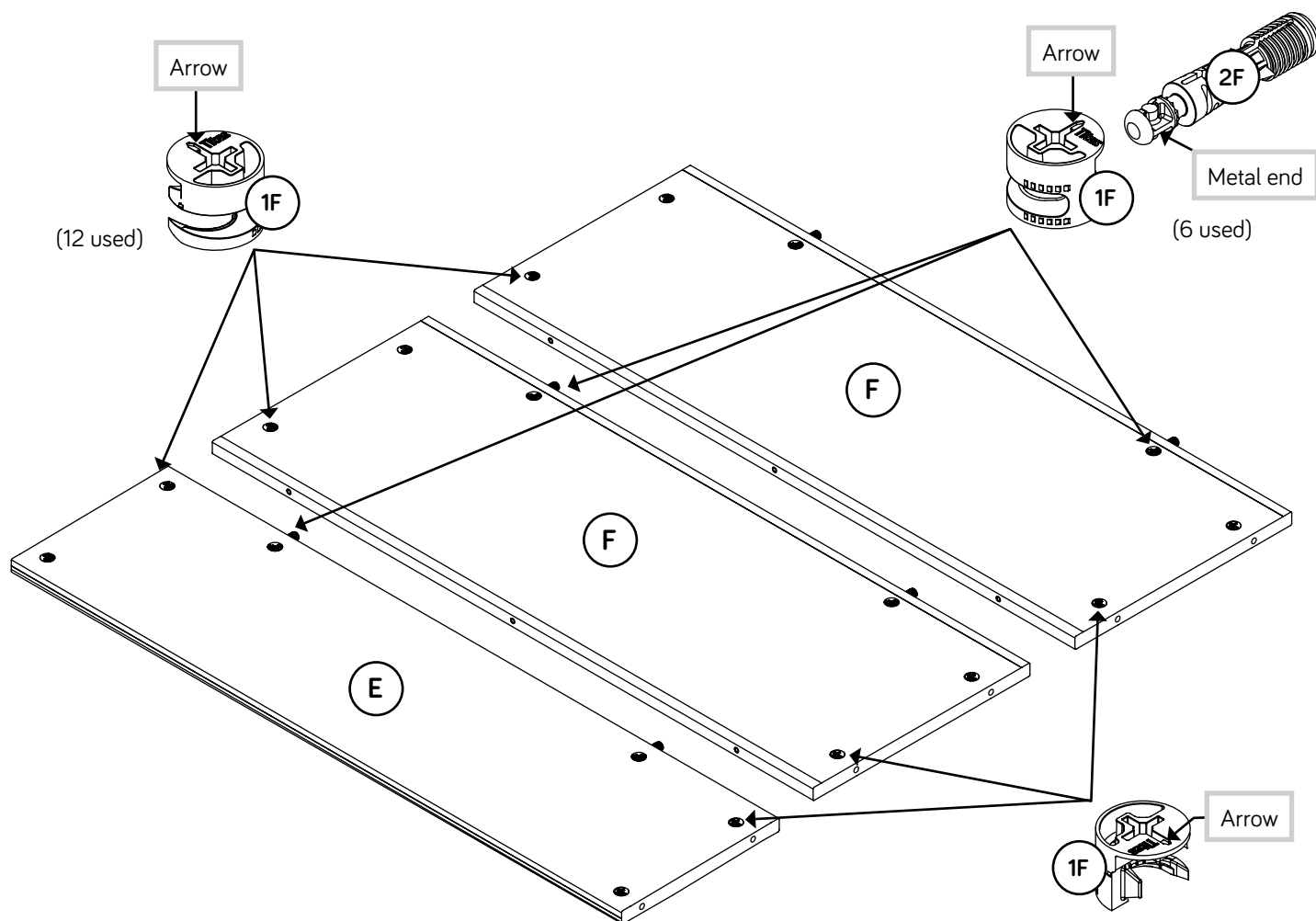
Minimum
190 degrees



Step 1

- ✦ Assemble your unit on a carpeted floor or on the empty carton to avoid scratching your unit or the floor.
- ✦ Push eighteen HIDDEN CAMS (1F) into the BACKS (E and F). Then, insert the metal end of a CAM DOWEL (2F) into each HIDDEN CAM in the long edges of the BACKS.

Do not tighten the HIDDEN CAMS in this step.

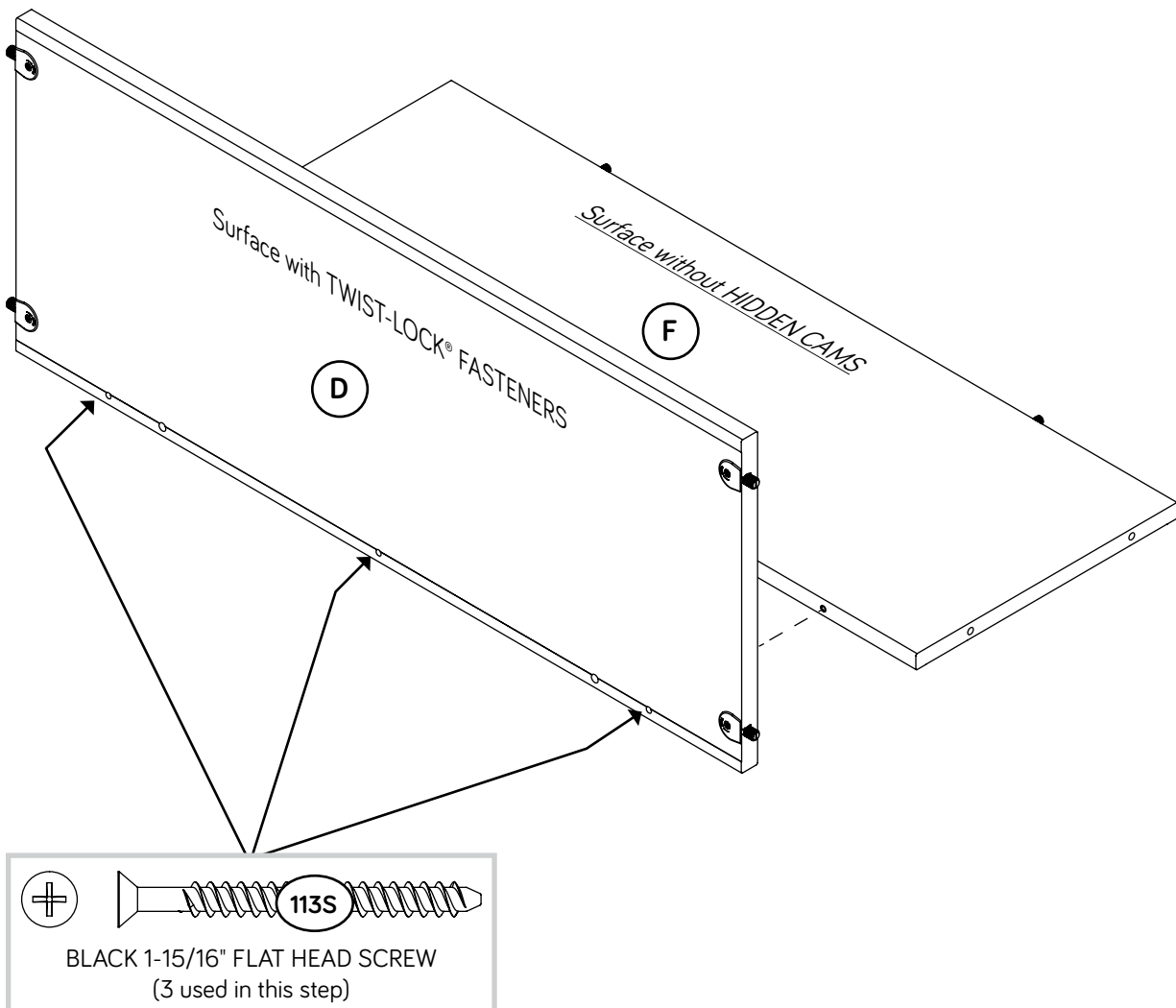


Step 2

- Fasten one of the SHELVES (D) to one of the BACKS (F).
Use three BLACK 1-15/16" FLAT HEAD SCREWS (113S).
- NOTE:** You should start each SCREW a few turns before completely tightening any of them.

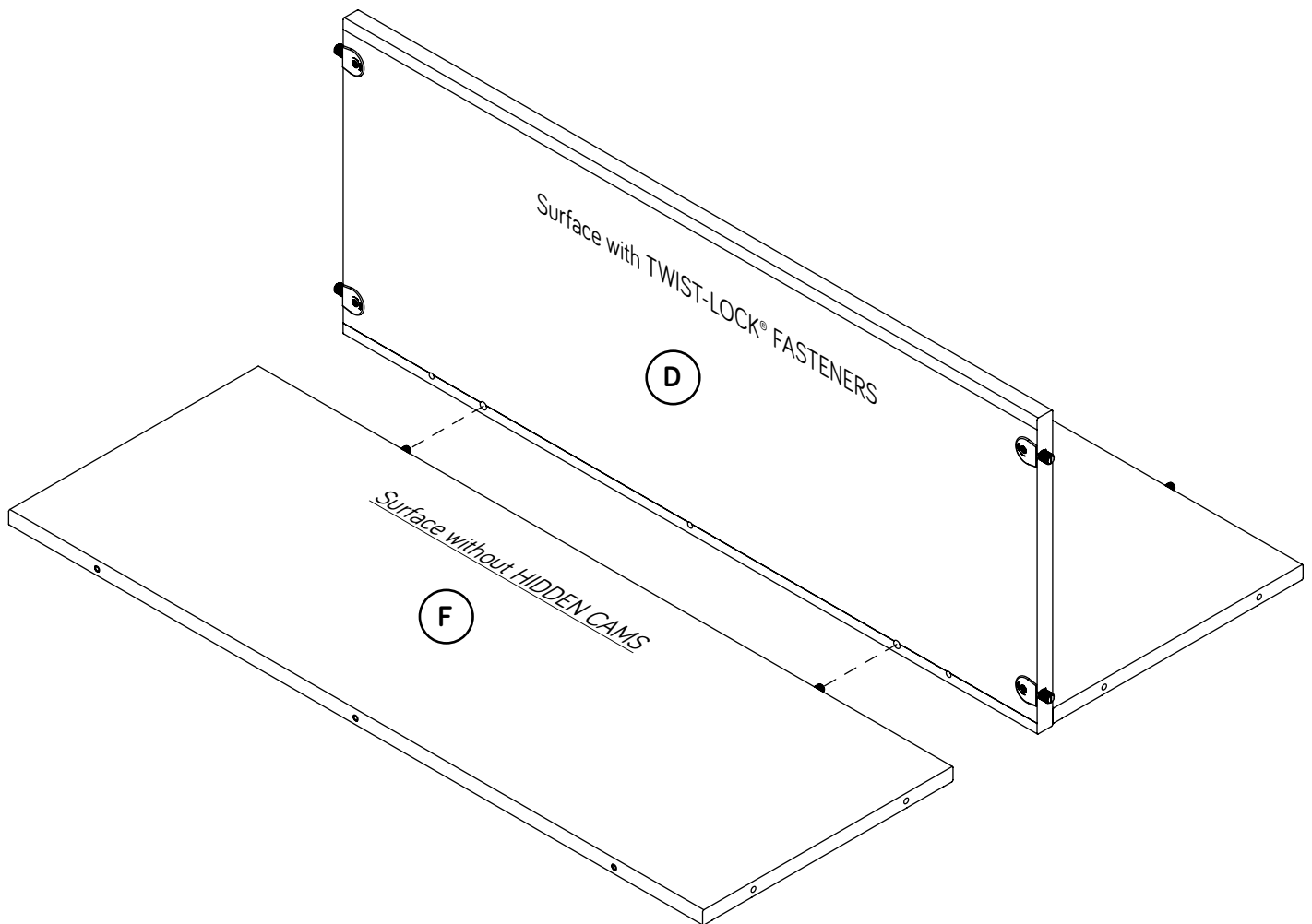


Some assembly
(and snacks) required.



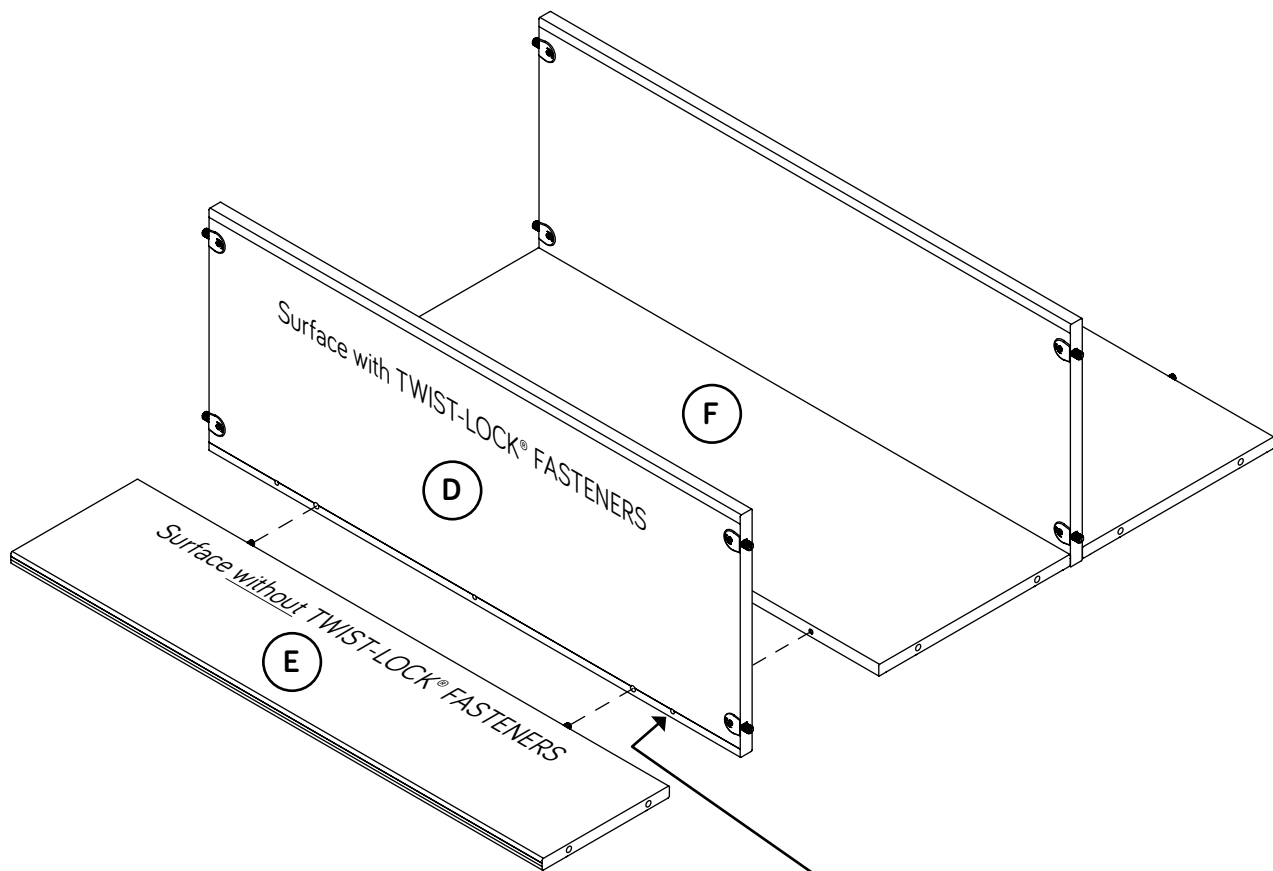
Step 3

- ✚ Push the remaining BACK (F) onto the SHELF (D). Do not tighten the HIDDEN CAMS.



Step 4

- Fasten the remaining SHELF (D) to the BACK (F). Use three BLACK 1-15/16" FLAT HEAD SCREWS (113S).
- NOTE:** You should start each SCREW a few turns before completely tightening any of them.
- Push the LOWER BACK (E) onto the SHELF (D). Do not tighten the HIDDEN CAMS.

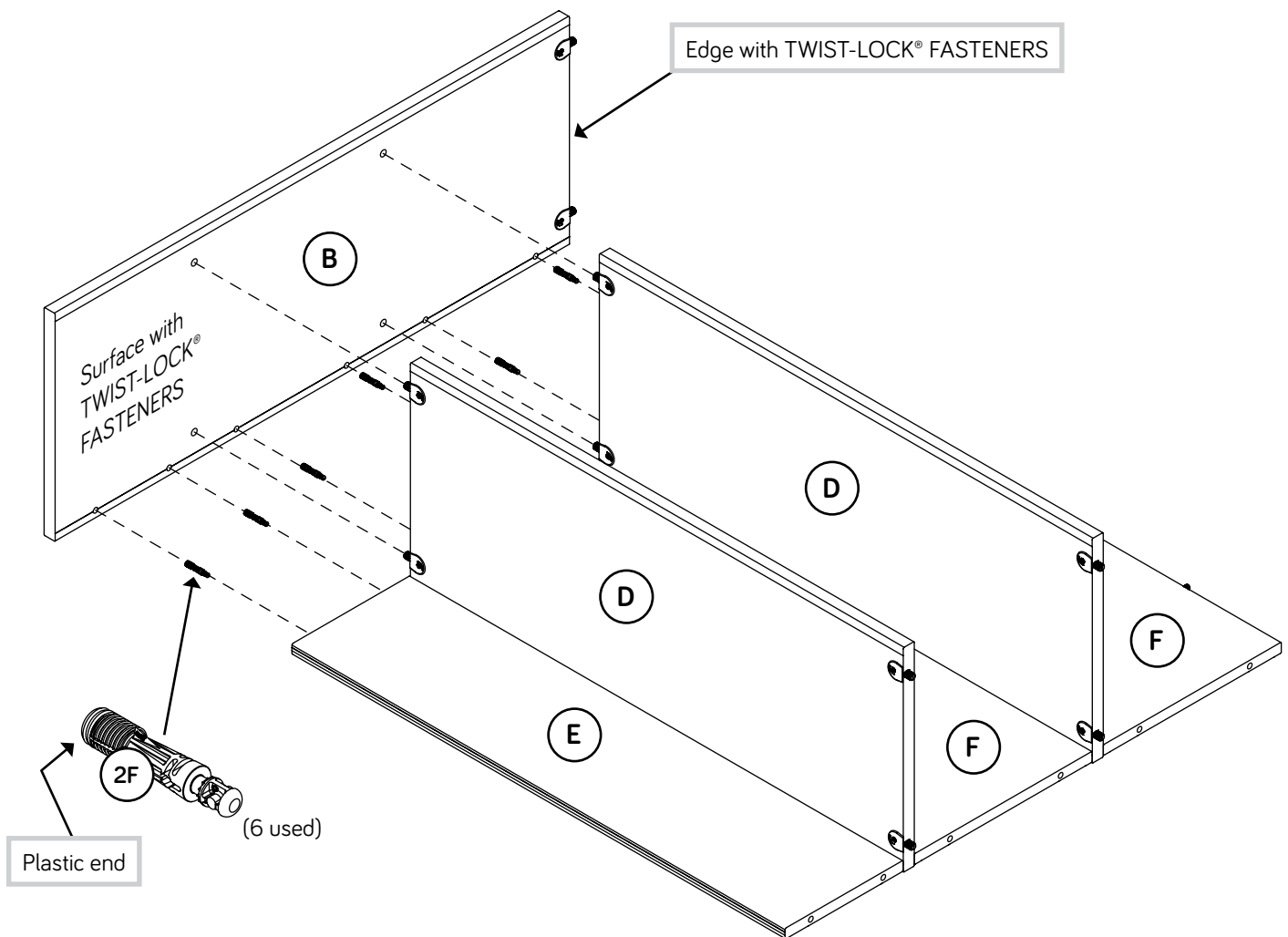


BLACK 1-15/16" FLAT HEAD SCREW
(3 used in this step)

Step 5

- ✚ Insert the plastic end of a CAM DOWEL (2F) into the holes shown in the LEFT END (B).
- ✚ Fasten the LEFT END (B) to the SHELVES (D). Tighten four TWIST-LOCK® FASTENERS.
- ✚ NOTE: Be sure the CAM DOWELS in the LEFT END insert into the HIDDEN CAMS in the BACKS.

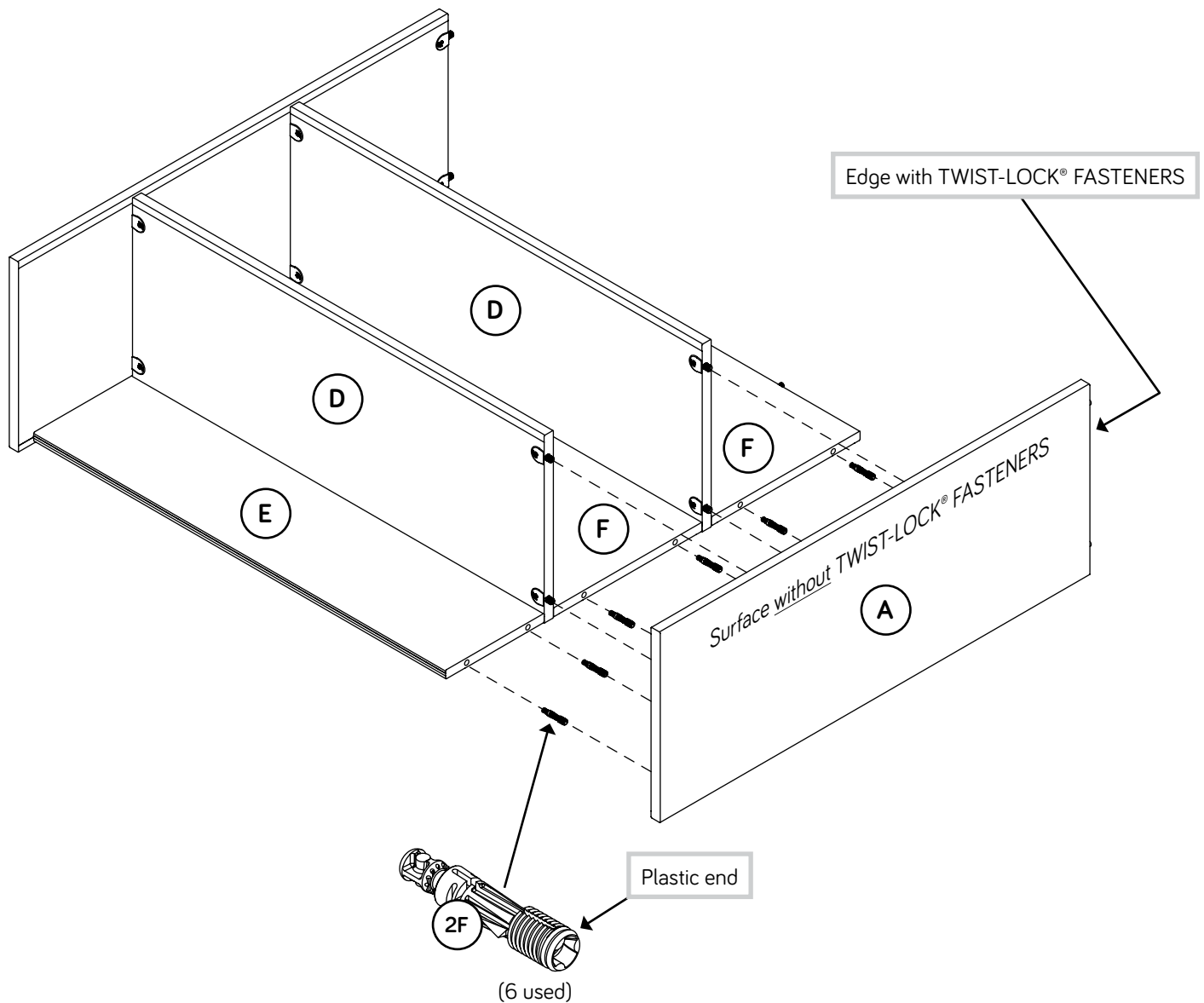
Do not tighten the HIDDEN CAMS in this step.



Step 6

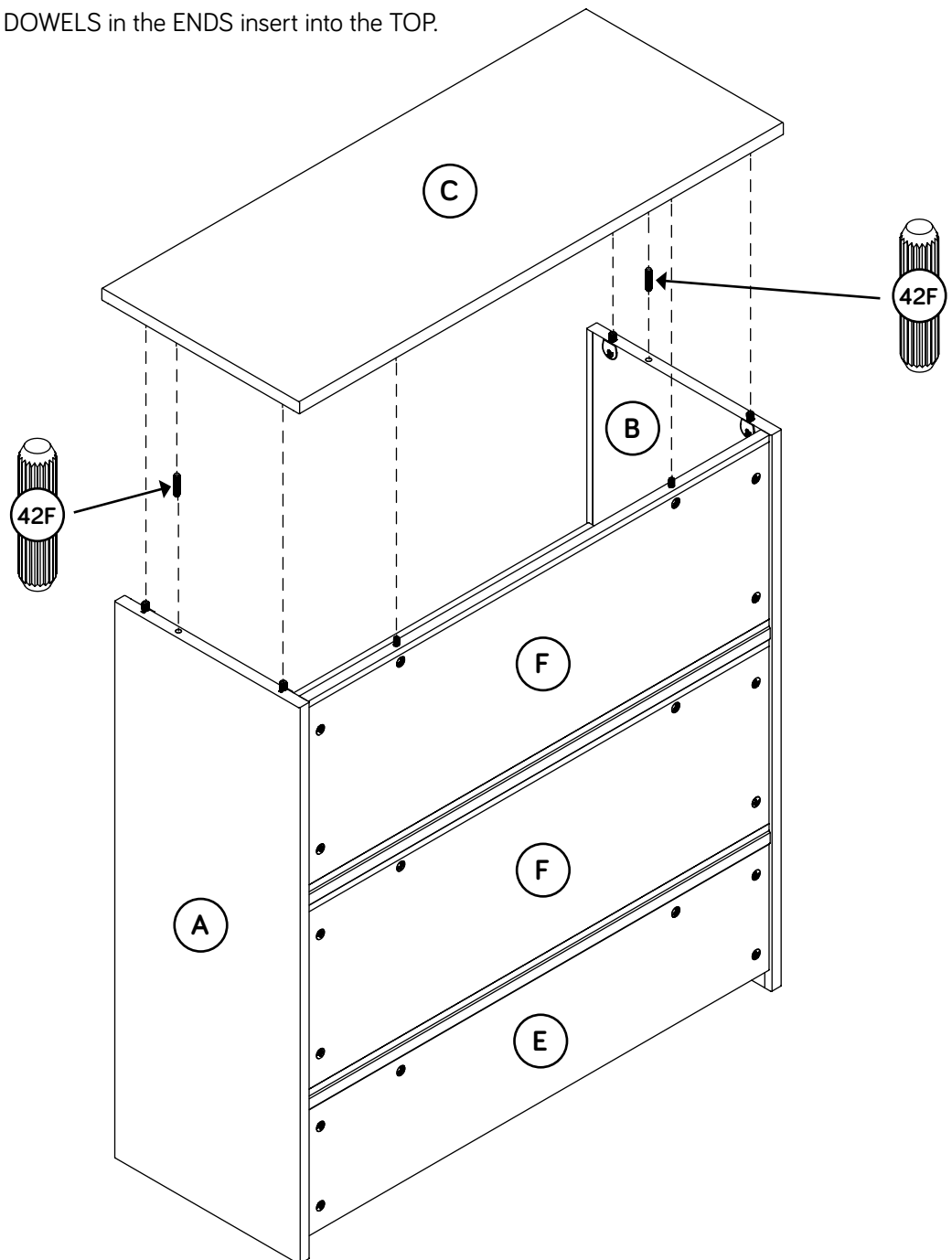
- ✚ Insert the plastic end of a CAM DOWEL (2F) into the holes shown in the RIGHT END (A).
- ✚ Fasten the RIGHT END (A) to the SHELVES (D). Tighten four TWIST-LOCK® FASTENERS.
- ✚ **NOTE:** Be sure the CAM DOWELS in the RIGHT END insert into the HIDDEN CAMS in the BACKS.

Do not tighten the HIDDEN CAMS in this step.



Step 7

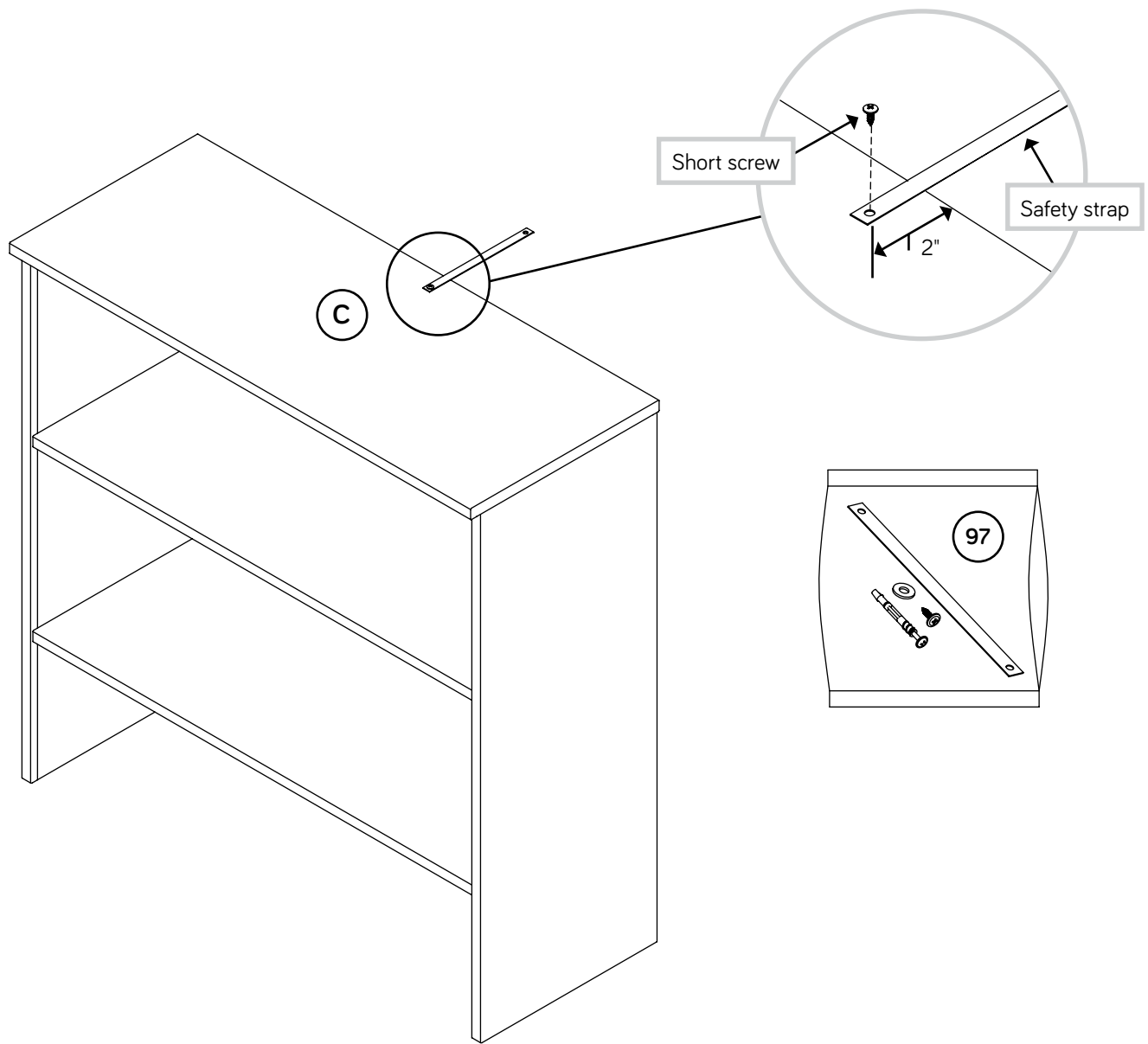
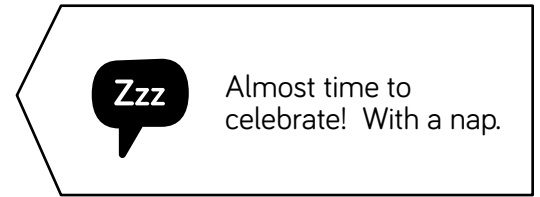
- ✦ Carefully stand your unit upright.
- ✦ Insert two WOOD DOWELS (42F) into the ENDS (A and B).
- ✦ NOTE: You may need to gently tap the WOOD DOWEL in with your hammer.
- ✦ Fasten the TOP (C) to the ENDS (A and B). Tighten four TWIST-LOCK® FASTENERS.
- ✦ Fasten the TOP (C) to the BACK (F). Tighten two HIDDEN CAMS.
- ✦ Tighten the HIDDEN CAMS in the BACKS (E and F).
- ✦ NOTE: Be sure the WOOD DOWELS in the ENDS insert into the TOP.



Step 8

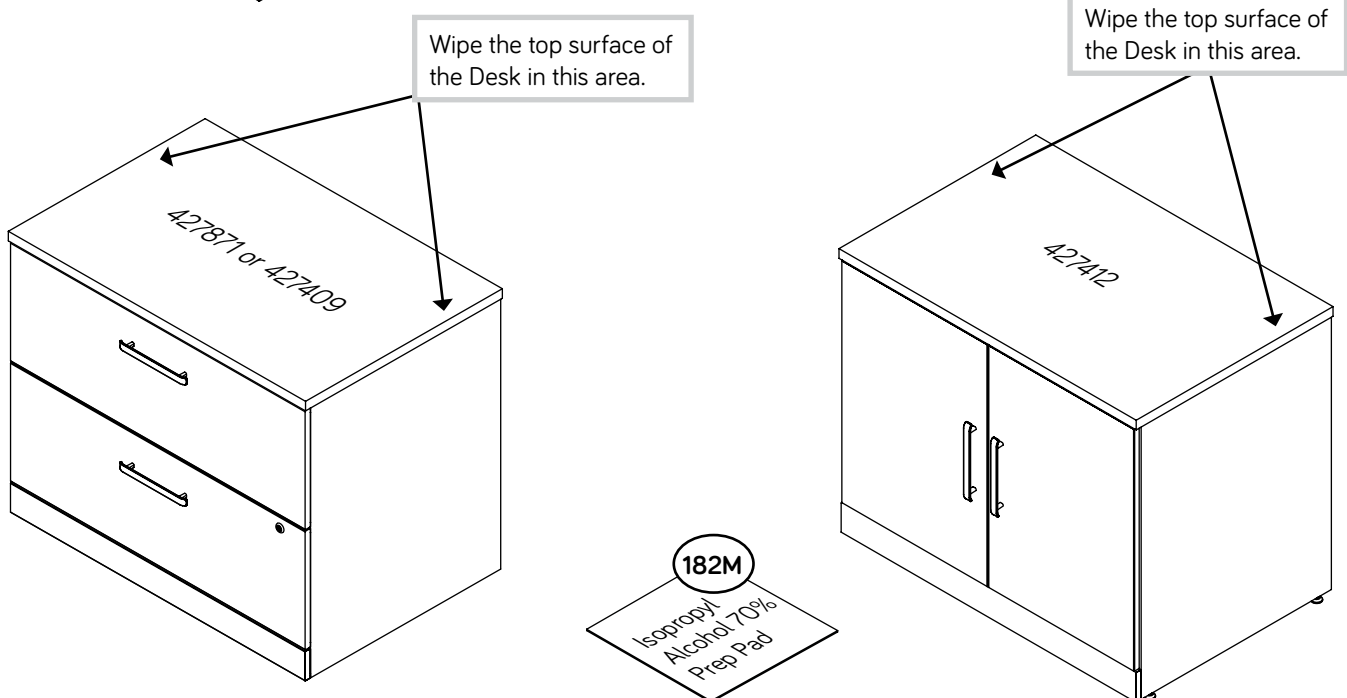
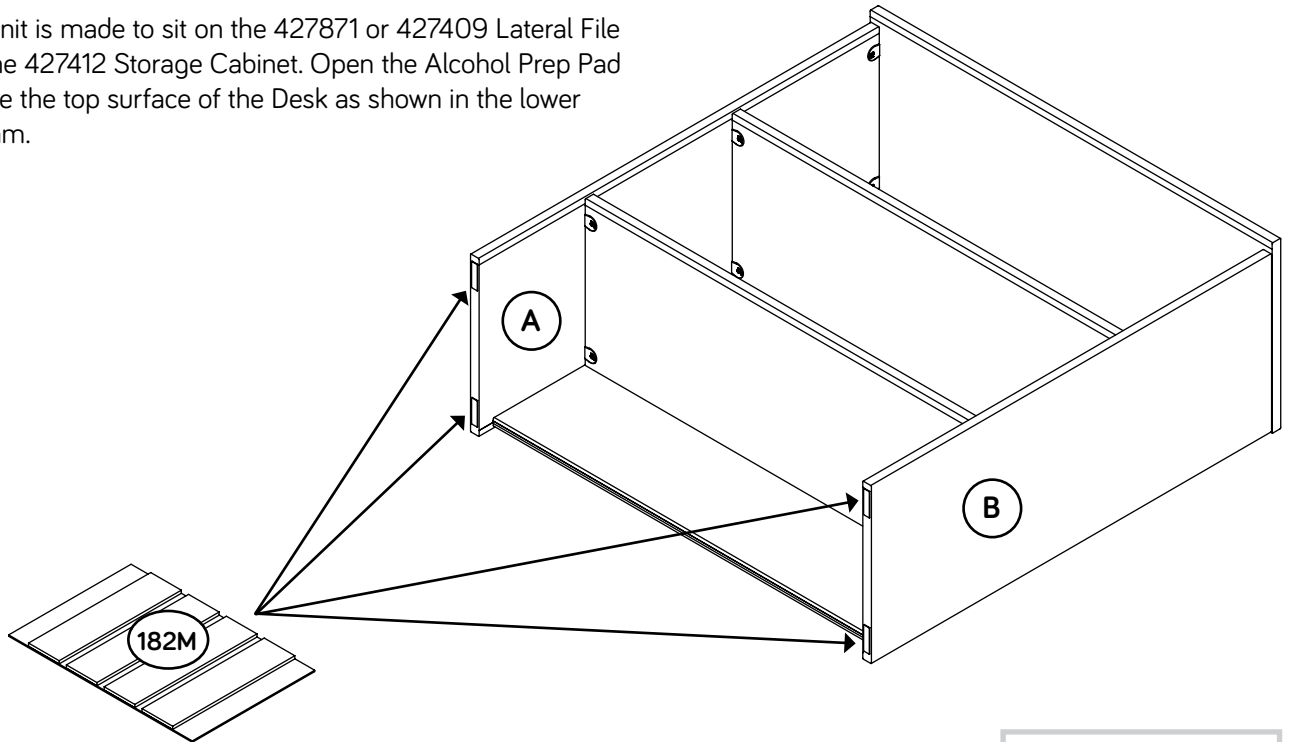
🔧 Open the FURNITURE TIPPING RESTRAINT KIT (97) and fasten the SAFETY STRAP to the TOP (C). There is no pre-drilled hole. Use extra force when turning the provided short screw into your desired location in the TOP.

🔧 **NOTE:** Position the SAFETY STRAP hole 2" in from the back edge of the TOP.



Step 9

- ✦ Carefully lay your unit onto its back edges.
- ✦ Open the TAPE CARD/PREP PAD KIT (182M). Peel four double stick strips from the TAPE CARD and stick them onto the bottom edges of the ENDS (A and B) as shown in the upper diagram.
- ✦ Next, peel the paper covering from the double stick strips.
- ✦ This unit is made to sit on the 427871 or 427409 Lateral File and the 427412 Storage Cabinet. Open the Alcohol Prep Pad to wipe the top surface of the Desk as shown in the lower diagram.

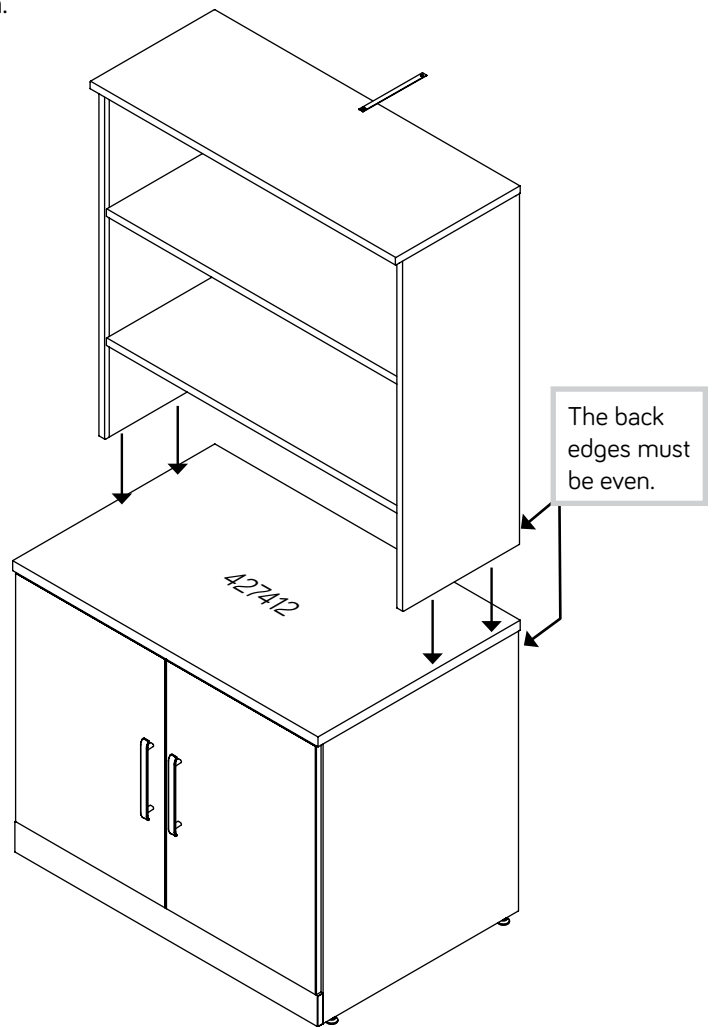
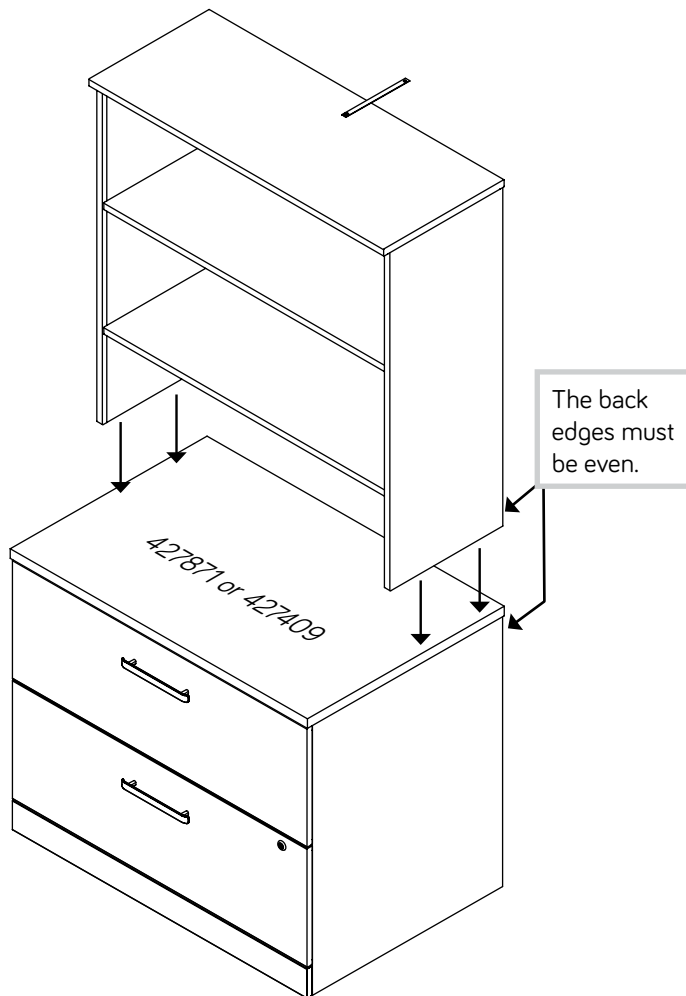


Step 10

- ✚ **IMPORTANT:** The Hutch cannot be moved after it is set in place. Pre-plan the Hutch placement, then place it completely on the attaching surface.
- ✚ With the help of another person, carefully center the Hutch onto your 427871/427409 Lateral File or 427412 Storage Cabinet.
- ✚ **NOTE:** The back edges of the Hutch and Desk must be even.

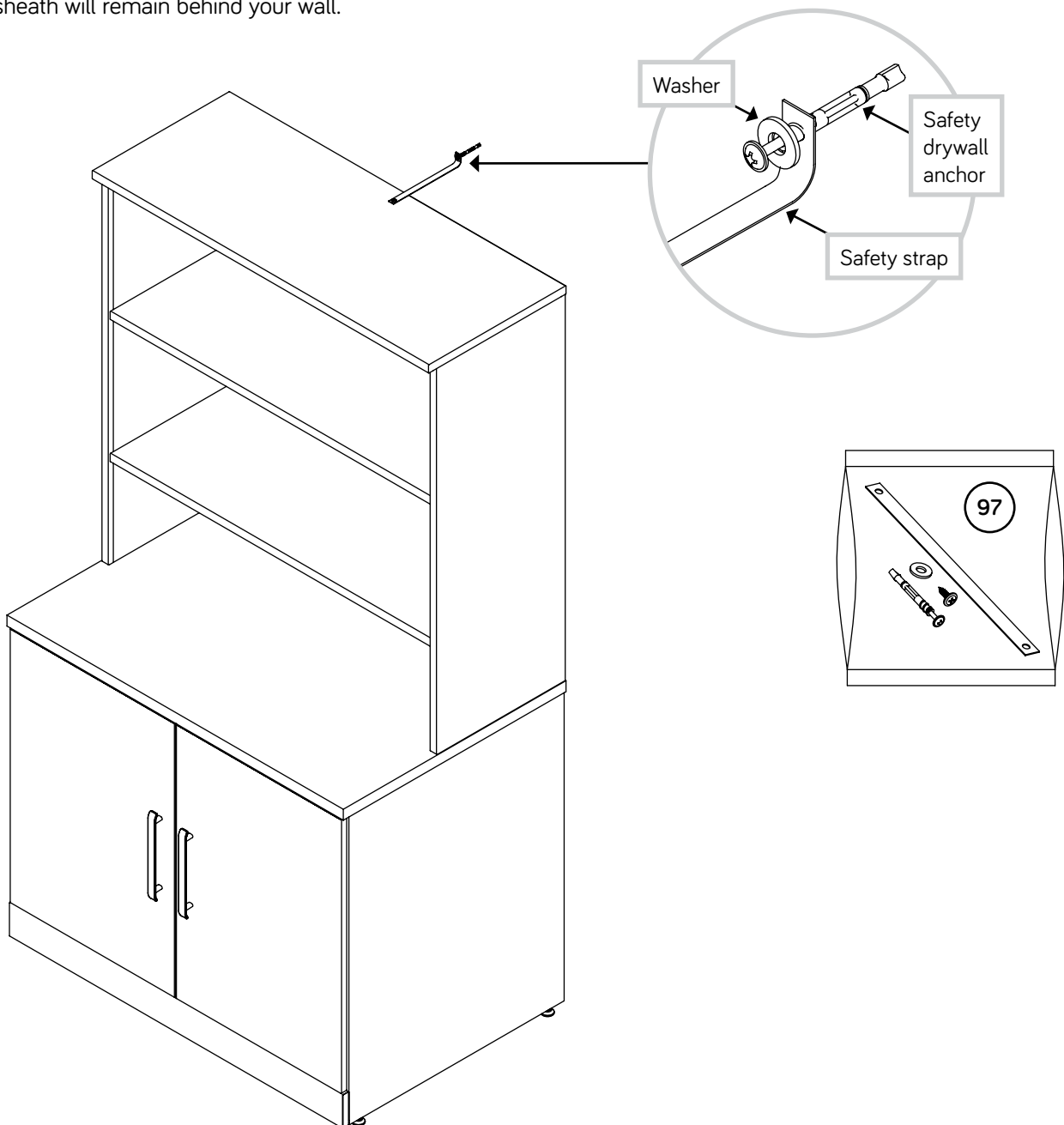


Caution



Step 11

- ✚ Position your unit in its final location against a wall. We recommend using the SAFETY STRAP for added stability.
- ✚ **NOTE:** Do not turn the SAFETY DRYWALL ANCHOR into a wall stud. If you prefer to fasten the SAFETY STRAP to a wall stud, go to your local hardware store for proper hardware.
- ✚ **INSTALLATION INSTRUCTIONS:**
 1. Insert the SAFETY DRYWALL ANCHOR through the WASHER and the end of the SAFETY STRAP.
 2. Using a Phillips screwdriver or a hand drill, press the screw slightly onto the drywall.
 3. Apply pressure; turn the screw until a pilot hole is made and the nylon sheath slips through.
 4. Turn the screw until it is flush against the wall and you feel a firm resistance.
 5. Continue to turn until the screw starts spinning freely.
- ✚ **NOTE:** Before moving your unit to a different location, unscrew the SAFETY DRYWALL ANCHOR from your wall. The nylon sheath will remain behind your wall.



Step 12

- ✦ For long-term care and maintenance of your unit, you may touch up the edges with the TOUCH-UP PEN (10M).
- ✦ Using your hammer, gently tap a CAM COVER (129P) onto each visible HIDDEN CAM.
- ✦ Using your hammer, gently tap a TWIST-LOCK® FASTENER COVER (125P) onto each visible TWIST-LOCK® FASTENER.
- ✦ NOTE: Please read the back pages of the instruction booklet for important safety information.
- ✦ This completes assembly. Clean with a damp cloth. Wipe dry.

