

1500x870 Bow Front Desk

Hudson Elm finish | **Model 5427428**

NOTE: THIS INSTRUCTION BOOKLET CONTAINS **IMPORTANT** SAFETY INFORMATION.

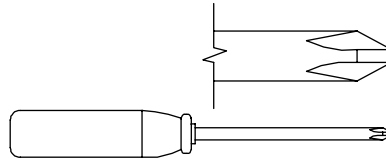
PLEASE READ AND KEEP FOR FUTURE REFERENCE.

English pg 1-12
Français pg 13-14
Español pg 15-16

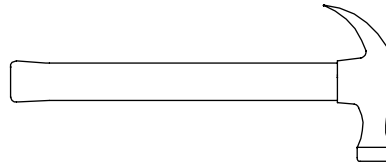
Lot # **573100**
Purchased: _____

11/22/21

Part Identification	3
Hardware Identification	4
Hardware Usage Guide	8
Assembly Steps	5-12
Français	13-14
Español	15-16
Safety	17-18
Warranty	19



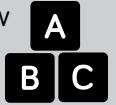
No. 2 Phillips Screwdriver
Tip Shown Actual Size



Hammer
Not actual size 😊

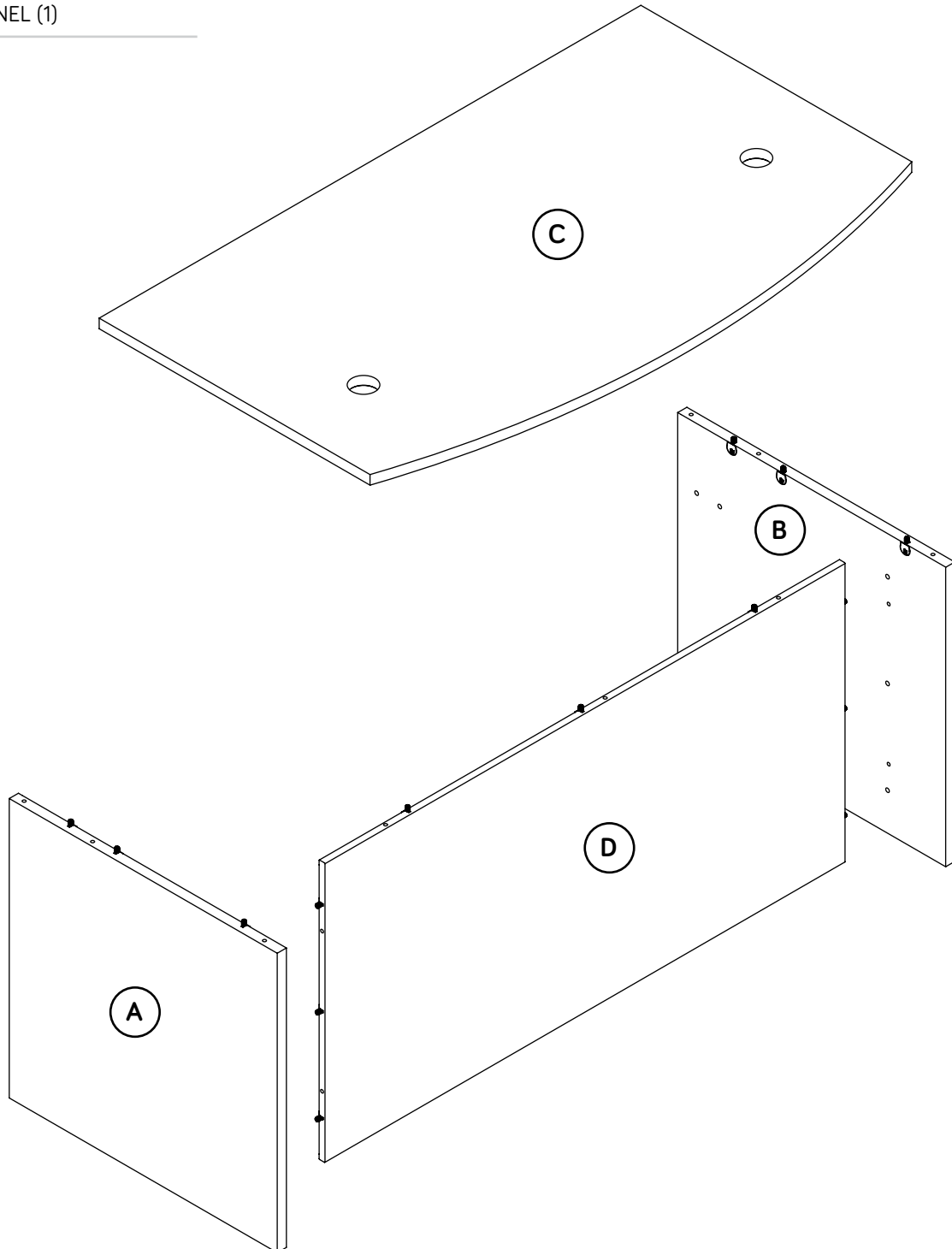
Part Identification

Now you know
our ABCs.



⚠ While not all parts are labeled, some of the parts will have a label or an inked letter on the edge to help distinguish similar parts from each other. Use this part identification to help identify similar parts.

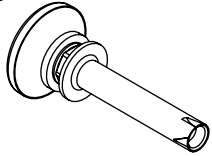
A	RIGHT END (1)
B	LEFT END (1)
C	TOP (1)
D	MODESTY PANEL (1)



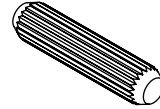
Hardware Identification

† Screws are shown actual size. You may receive extra hardware with your unit.

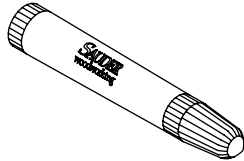
46E LEVELER - 4



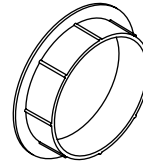
42F WOOD DOWEL - 13



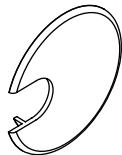
10M TOUCH-UP PEN - 1



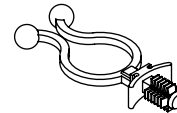
2P GROMMET - 2



3P GROMMET
CAP - 2



9P CORD CLIP - 2



125P TWIST-LOCK®
FASTENER COVER - 15



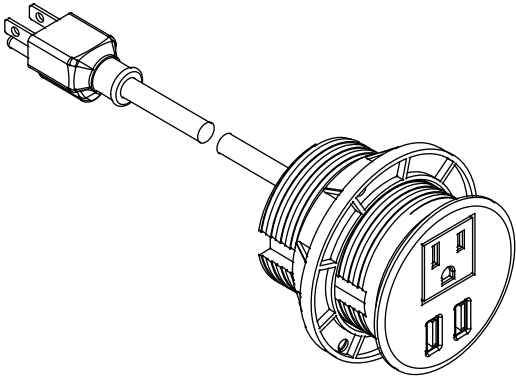
127P HOLE
PLUG - 8



Optional Accessories (sold separately)

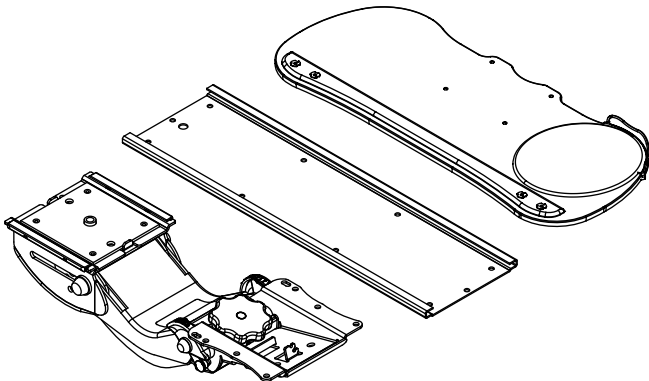
✦ This piece of furniture accommodates one or more of the following optional accessories (sold separately).

✦ **Powered Grommet (Item 427829)**



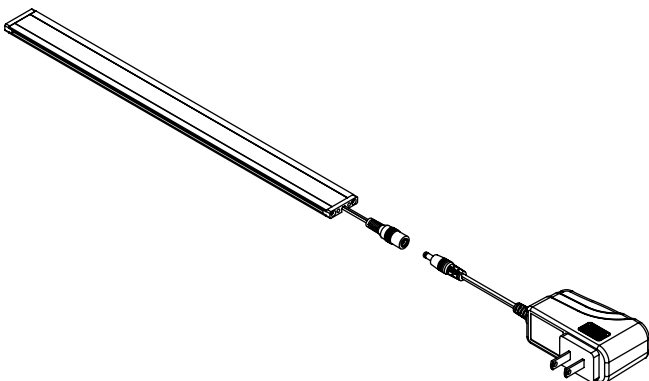
✦ **Articulating Keyboard Shelf (Item 426468)**

The Articulating Keyboard Shelf is designed to be fastened to the underside of your desk, desk return, or credenza top.



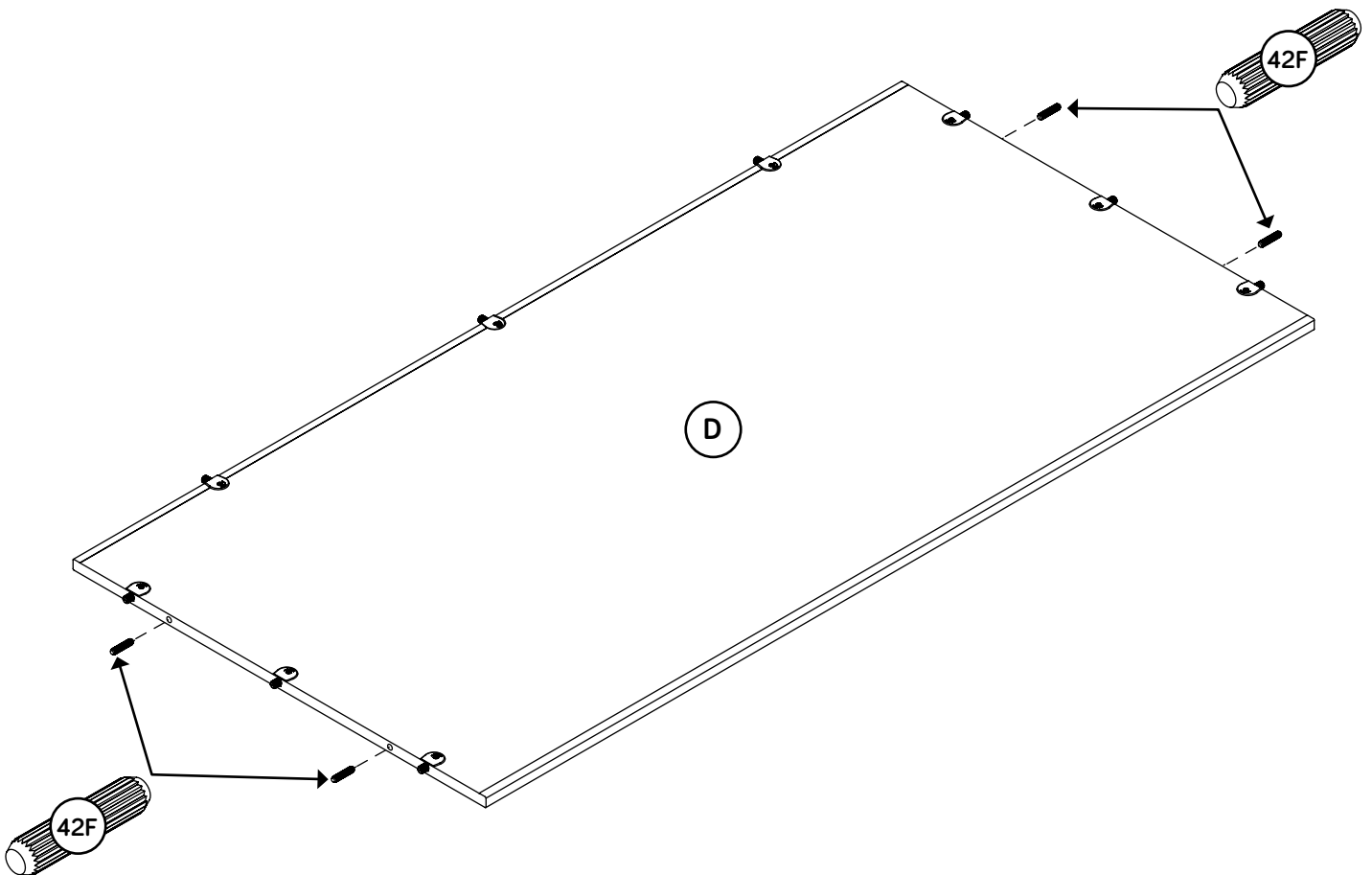
✦ **LED Light (Item 426494)**

The LED Light is designed to be fastened to the underside of a hutch.



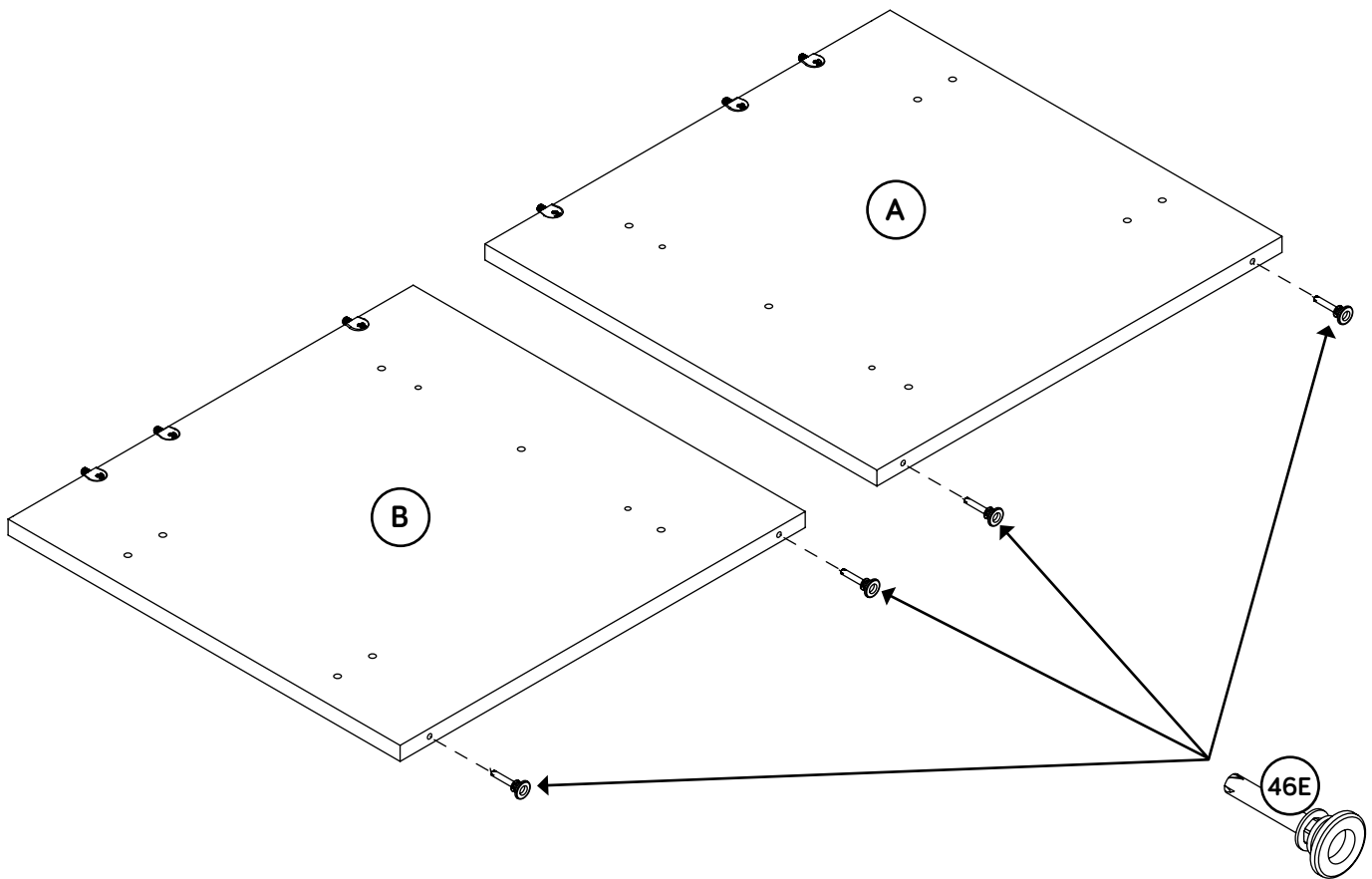
Step 1

- ✚ Assemble your unit on a carpeted floor or on the empty carton to avoid scratching your unit or the floor.
- ✚ Insert four WOOD DOWELS (42F) into the MODESTY PANEL (D) exactly as shown.
- ✚ NOTE: You may need to gently tap the WOOD DOWEL in with your hammer.



Step 2

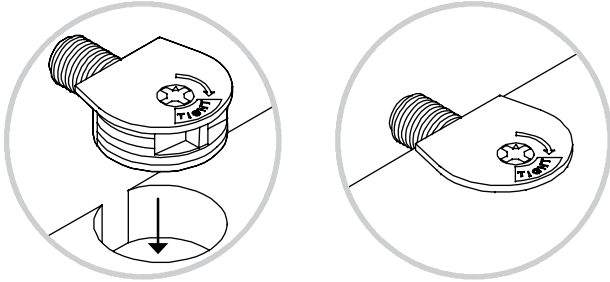
- ✚ Using your hammer, gently tap four LEVELERS (46E) completely into the holes in the ENDS (A and B).
- ✚ NOTE: Adjustments to the LEVELERS will be made later in assembly once your unit is standing upright.



Hardware Usage Guide

HOW TO USE A TWIST-LOCK® FASTENER

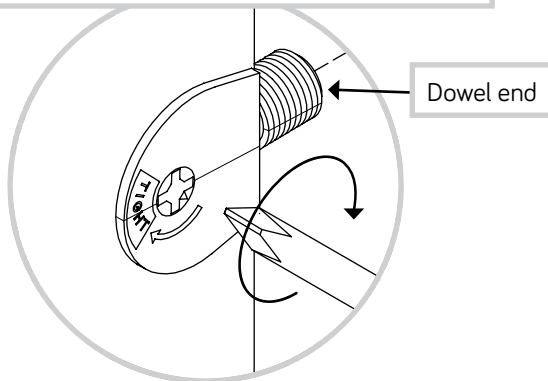
1. Push a TWIST-LOCK® FASTENER into the large hole in the part.



2. 1. Insert the dowel end of the FASTENER into the hole of the adjoining part.

NOTE: The dowel end of the FASTENER must remain fully inserted in the hole of the adjoining part while locking the FASTENER.

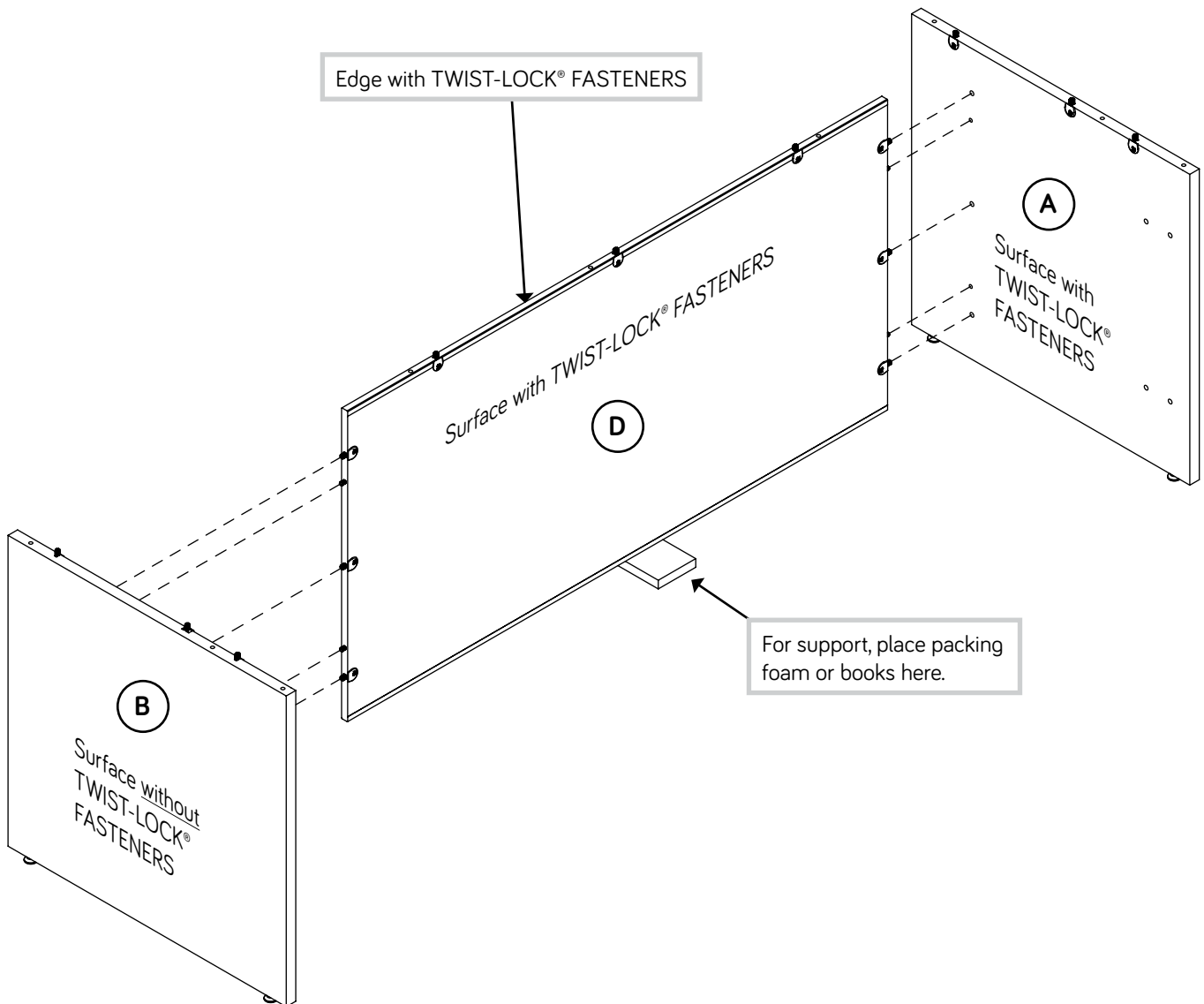
2. Tighten the FASTENER with a Phillips screwdriver as tight as possible.



Step 3

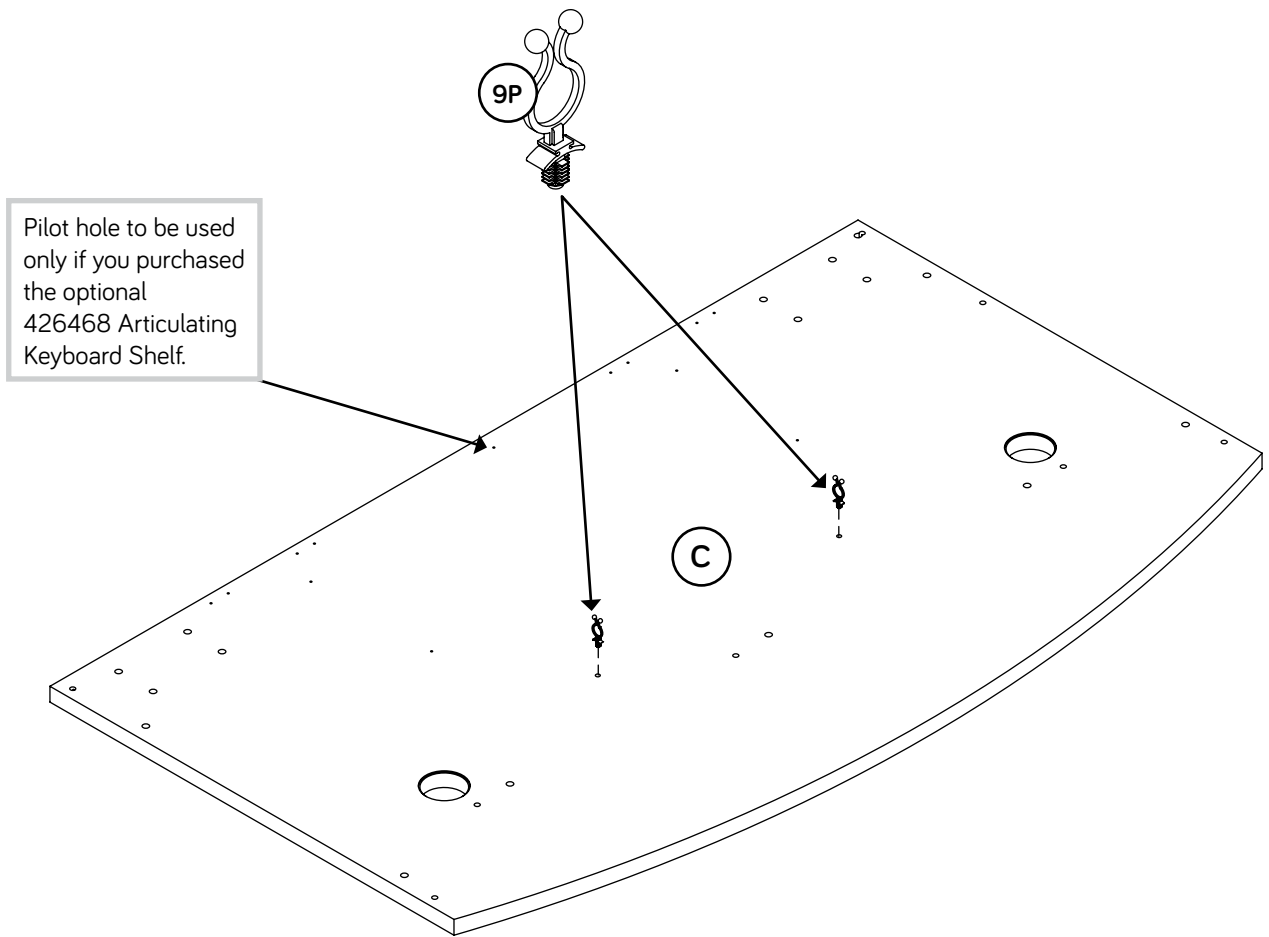
Fasten the ENDS (A and B) to the MODESTY PANEL (D).
Tighten six TWIST-LOCK® FASTENERS.

NOTE: Be sure the WOOD DOWELS in the MODESTY PANEL insert into the ENDS.



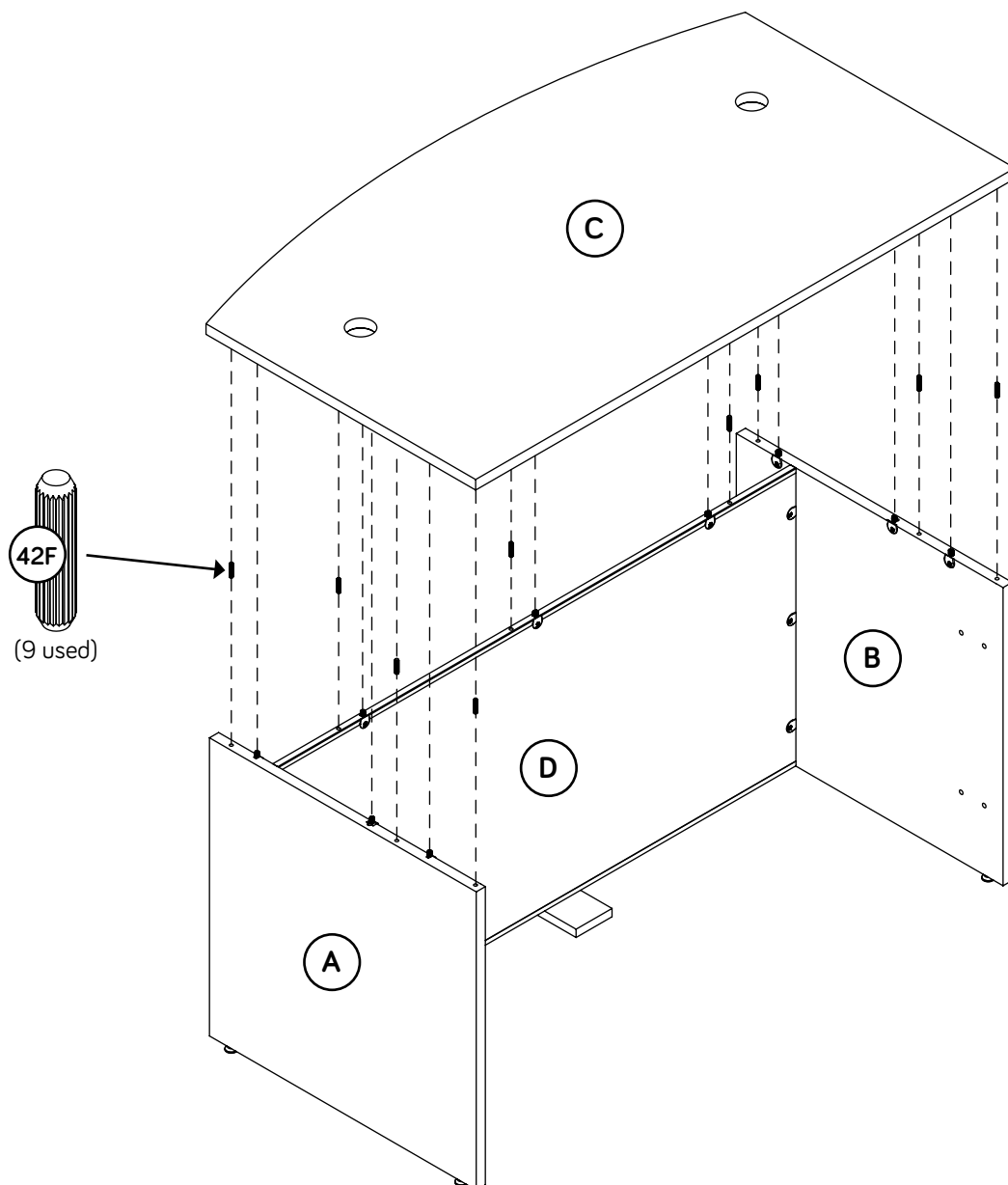
Step 4

- ✚ Push two CORD CLIPS (9P) into the holes in the TOP (C).
- ✚ NOTE: The CORD CLIP is used to hold the cord against the TOP.



Step 5

- ✚ Insert nine WOOD DOWELS (42F) into the ENDS (A and B) and MODESTY PANEL (D).
- ✚ NOTE: You may need to gently tap the WOOD DOWEL in with your hammer.
- ✚ Fasten the TOP (C) to the ENDS (A and B) and MODESTY PANEL (D). Tighten nine TWIST-LOCK® FASTENERS.
- ✚ NOTE: Be sure the WOOD DOWELS in the ENDS and MODESTY PANEL insert into the TOP.



Step 6

- ✚ Insert the GROMMET (2P) and GROMMET CAP (3P) into each large hole in the TOP (C).
- ✚ Using your hammer, gently tap a TWIST-LOCK® FASTENER COVER (125P) onto each visible TWIST-LOCK® FASTENER.
- ✚ Insert the HOLE PLUGS (127P) into the unused holes in the ENDS (A and B).
- ✚ For long-term care and maintenance of your unit, you may touch up the edges with the TOUCH-UP PEN (10M).
- ✚ **NOTE:** Please read the back pages of the instruction booklet for important safety information.
- ✚ This completes assembly. Clean with a damp cloth. Wipe dry.

