

Teknik

www.teknikoffice.co.uk

Get all **organized**
and **stuff**.

Hythe Wall Mounted 4 Shelf Bookcase with Drawers

Model 5426438

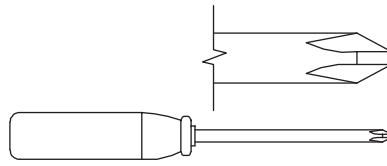
Table of Contents

Assembly Tools Required

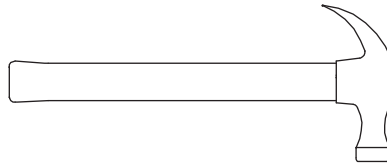
Part Identification 3

Hardware Identification 4

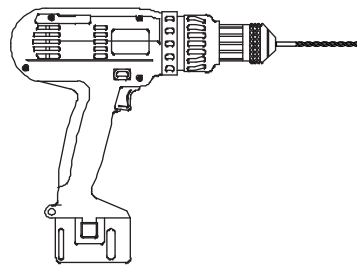
Assembly Steps 5-24



No. 2 Phillips Screwdriver
Tip Shown Actual Size



Hammer
Not actual size 😊



Electric drill with 5/16" bit
(ONLY in indicated step)

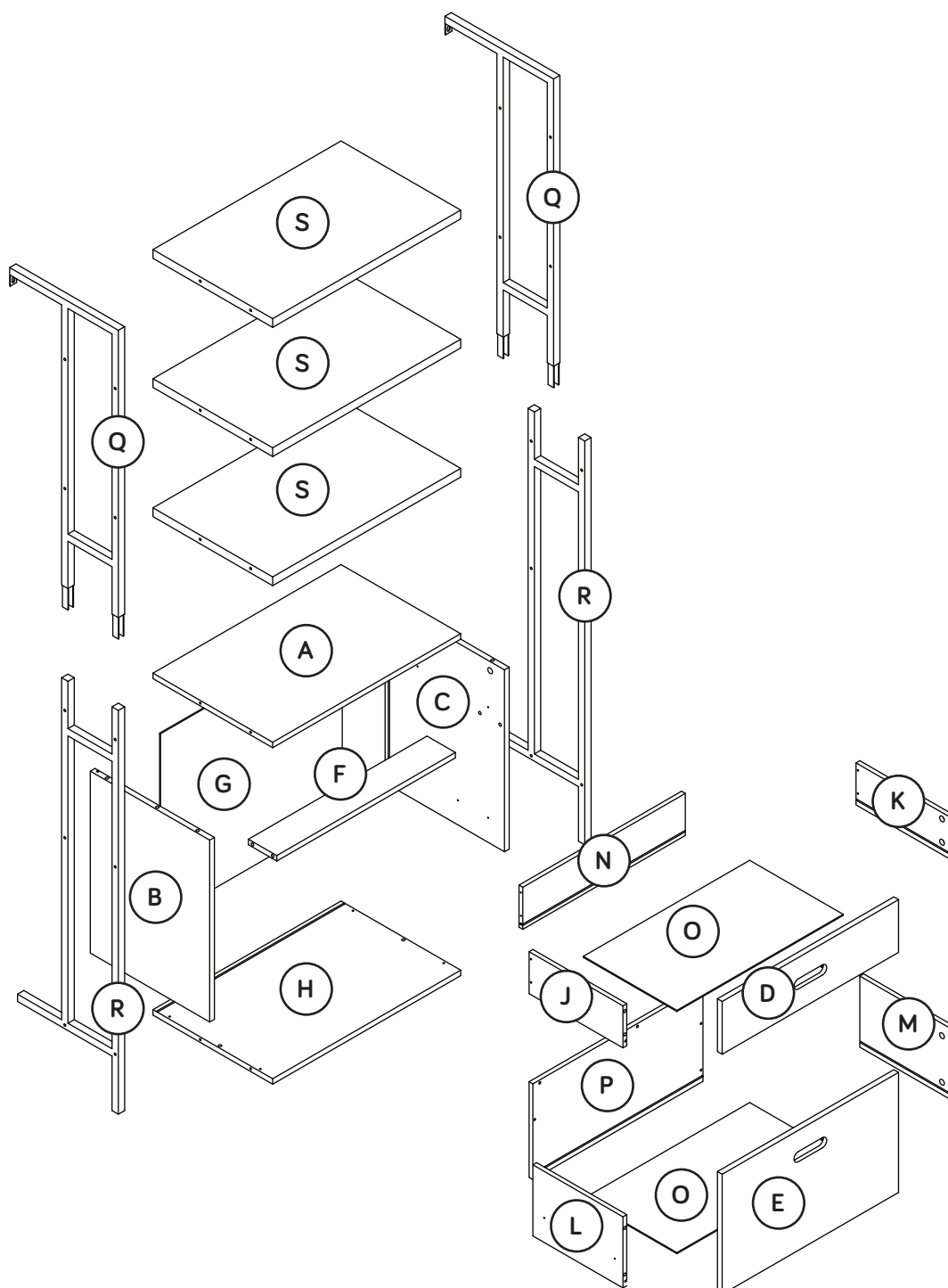
Part Identification

Now you know
our ABCs.



⚠ While not all parts are labeled, some of the parts will have a label or an inked letter on the edge to help distinguish similar parts from each other. Use this part identification to help identify similar parts.

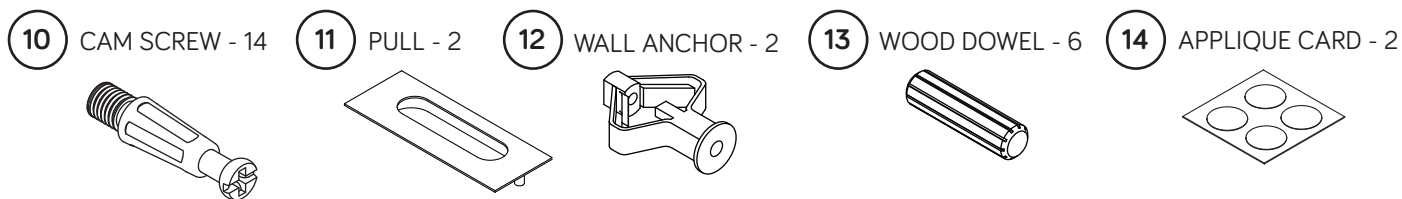
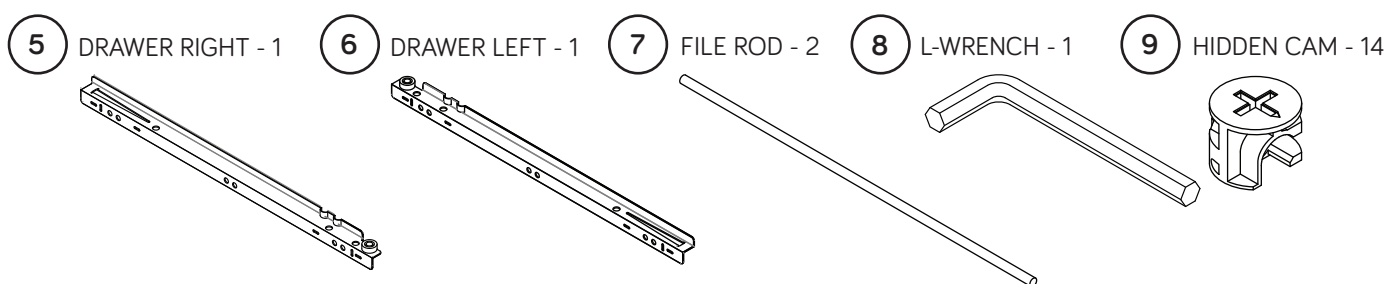
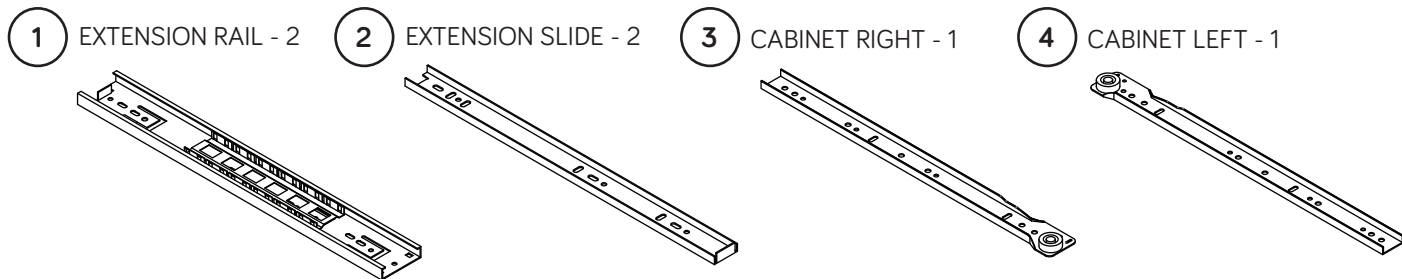
A	SHELF (1)	G	BACK (1)	N	SMALL DRAWER BACK (1)
B	LEFT END (1)	H	BOTTOM (1)	O	DRAWER BOTTOM (2)
C	RIGHT END (1)	J	SMALL LEFT DRAWER SIDE (1)	P	LARGE DRAWER BACK (1)
D	SMALL DRAWER FRONT (1)	K	SMALL RIGHT DRAWER SIDE (1)	Q	UPPER FRAME (2)
E	LARGE DRAWER FRONT (1)	L	LARGE LEFT DRAWER SIDE (1)	R	LOWER FRAME (2)
F	BRACE (1)	M	LARGE RIGHT DRAWER SIDE (1)	S	UPPER SHELF (3)



Hardware Identification

† Screws are shown actual size. You may receive extra hardware with your unit.

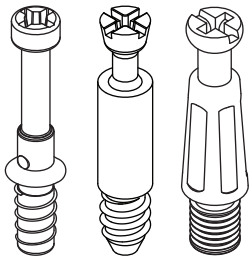
(EXTENSION SET SHOWN SEPARATED)



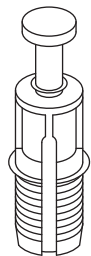
Hardware Usage Guide

HOW TO USE A HIDDEN CAM & CAM SCREW OR CAM DOWEL

1. NOTE: Various CAM SCREWS or a CAM DOWEL may be used.

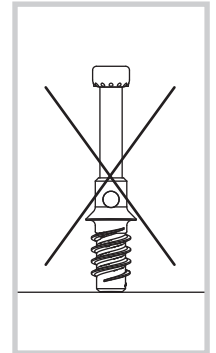
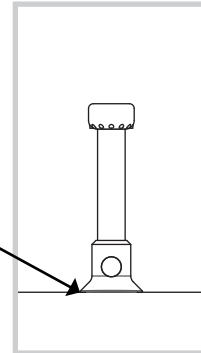


Cam Screws

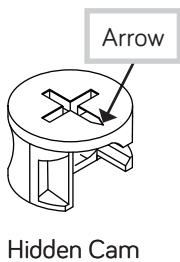


Cam Dowel

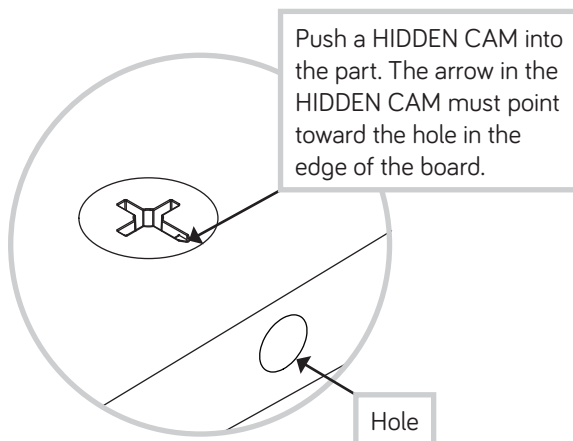
Turn the CAM SCREW or gently tap the CAM DOWEL until the shoulder is against the surface of the part.



2.

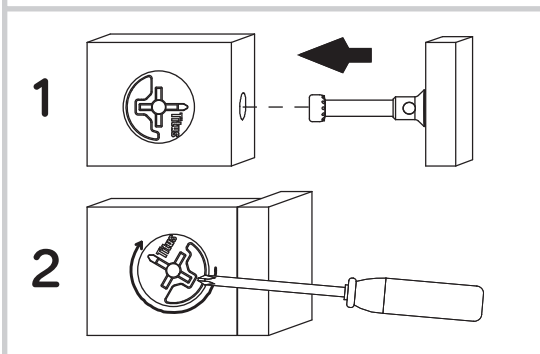


Hidden Cam



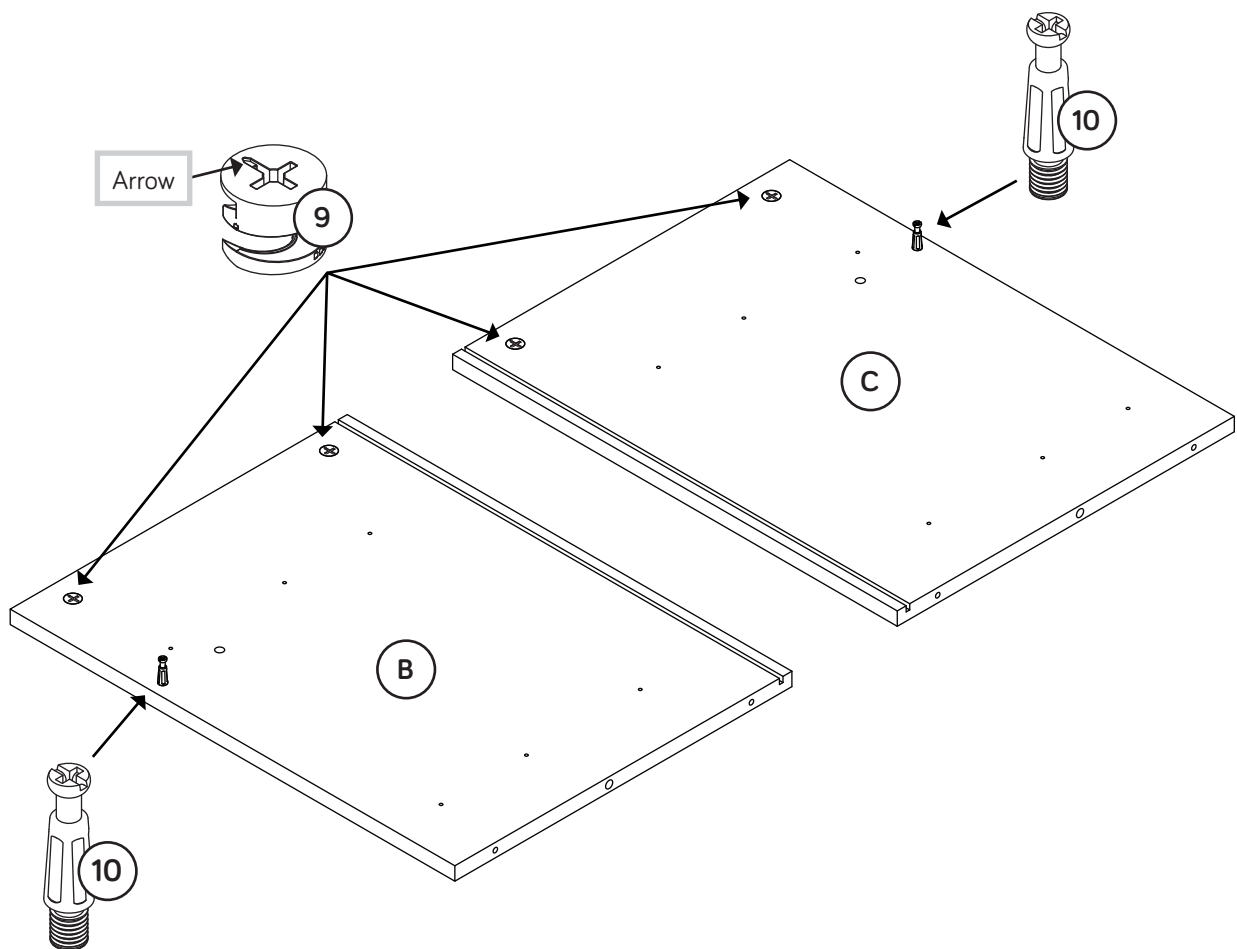
3.

Insert the CAM SCREW or CAM DOWEL into the HIDDEN CAM. Tighten the HIDDEN CAM.



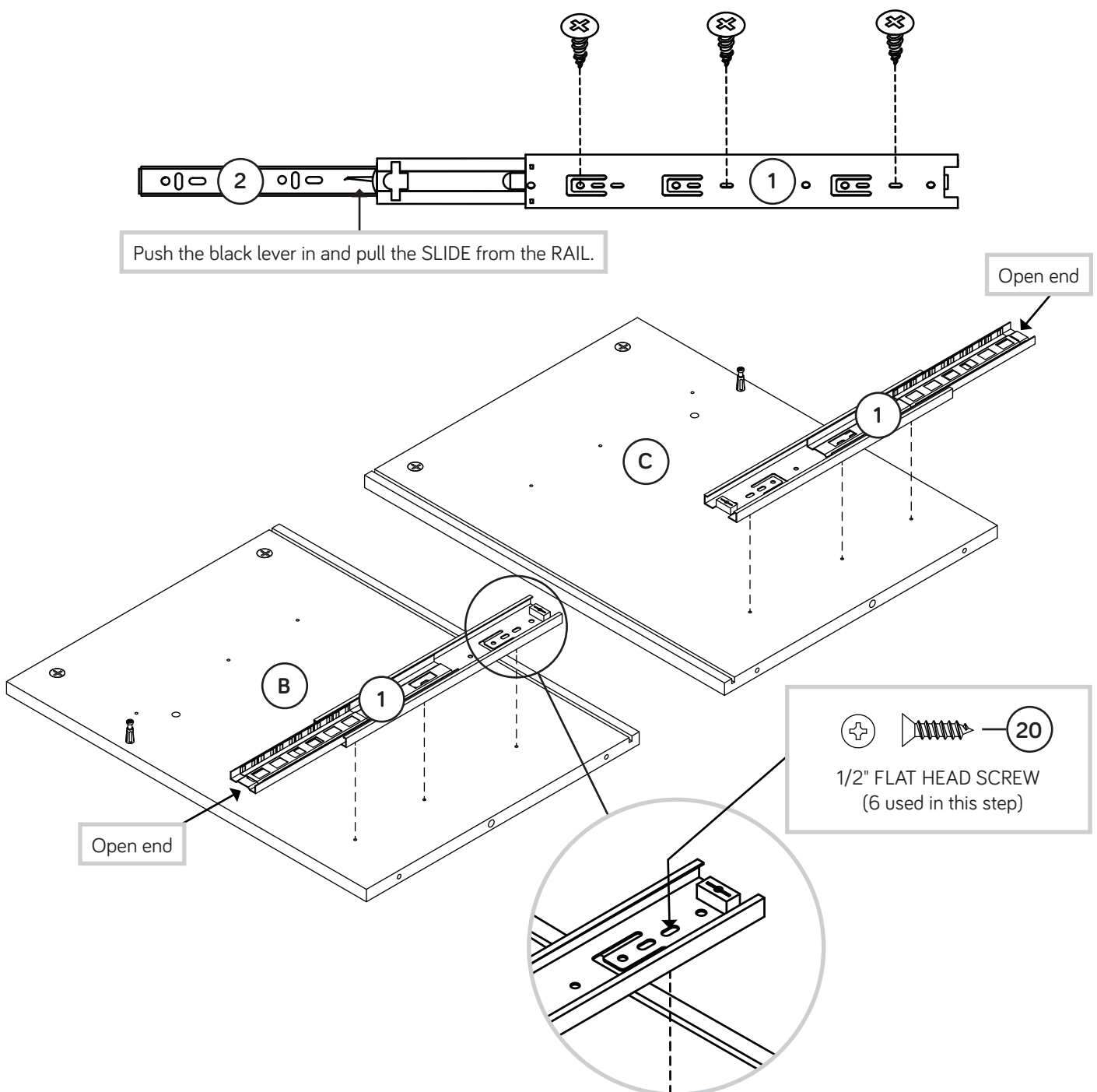
Step 1

- ✚ Assemble your unit on a carpeted floor or on the empty carton to avoid scratching your unit or the floor.
- ✚ Turn two CAM SCREWS (10) into the ENDS (B and C).
- ✚ Push four HIDDEN CAMS (9) into the ENDS (B and C).



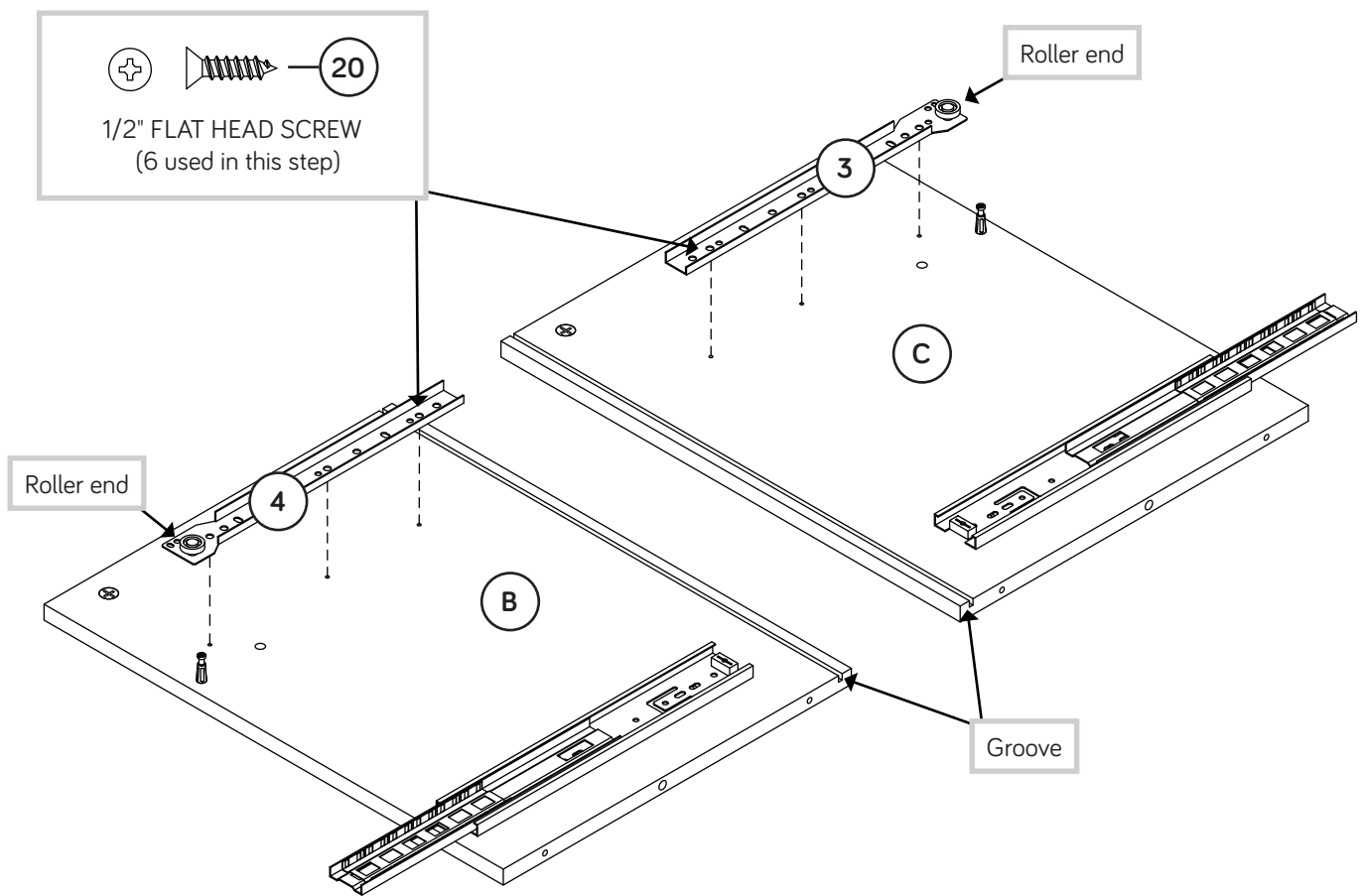
Step 2

- ✚ Separate the EXTENSION SLIDES (2) from the EXTENSION RAILS (1) as shown in the upper diagram below. Be prepared, the parts are greasy.
- ✚ Fasten the EXTENSION RAILS (1) to the ENDS (B and C). Use six 1/2" FLAT HEAD SCREWS (20).
- ✚ **NOTE:** For each EXTENSION RAIL, turn a SCREW into the hole shown in the enlarged diagram. Then, slide the inner cartridge of the EXTENSION RAIL in to find the other holes that line up with the holes in the ENDS. Turn a SCREW into these holes.
- ✚ **NOTE:** The EXTENSION SLIDES will be used later for the DRAWERS.



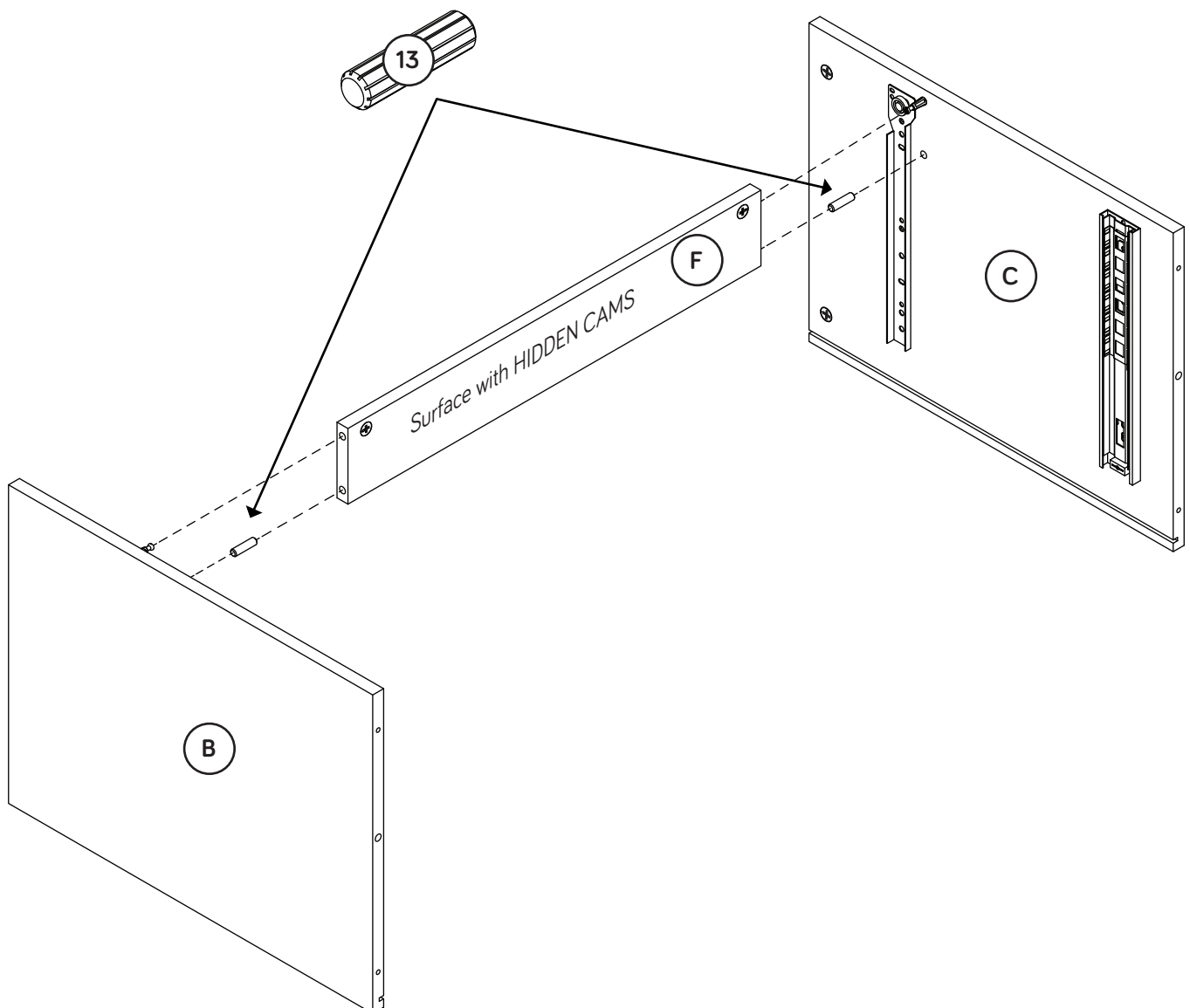
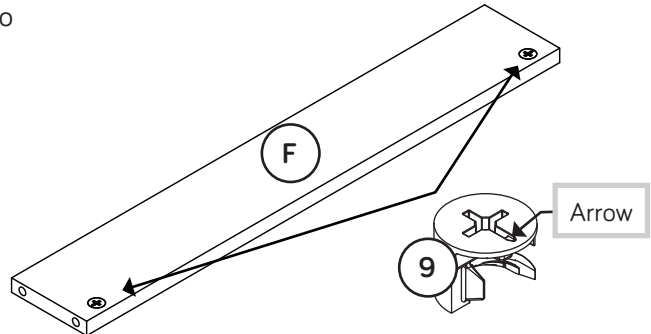
Step 3

- Fasten the CABINET RIGHT (3) to the RIGHT END (C) and the CABINET LEFT (4) to the LEFT END (B). Use six 1/2" FLAT HEAD SCREWS (20) through the 2nd, 6th and 10th hole from the roller end.



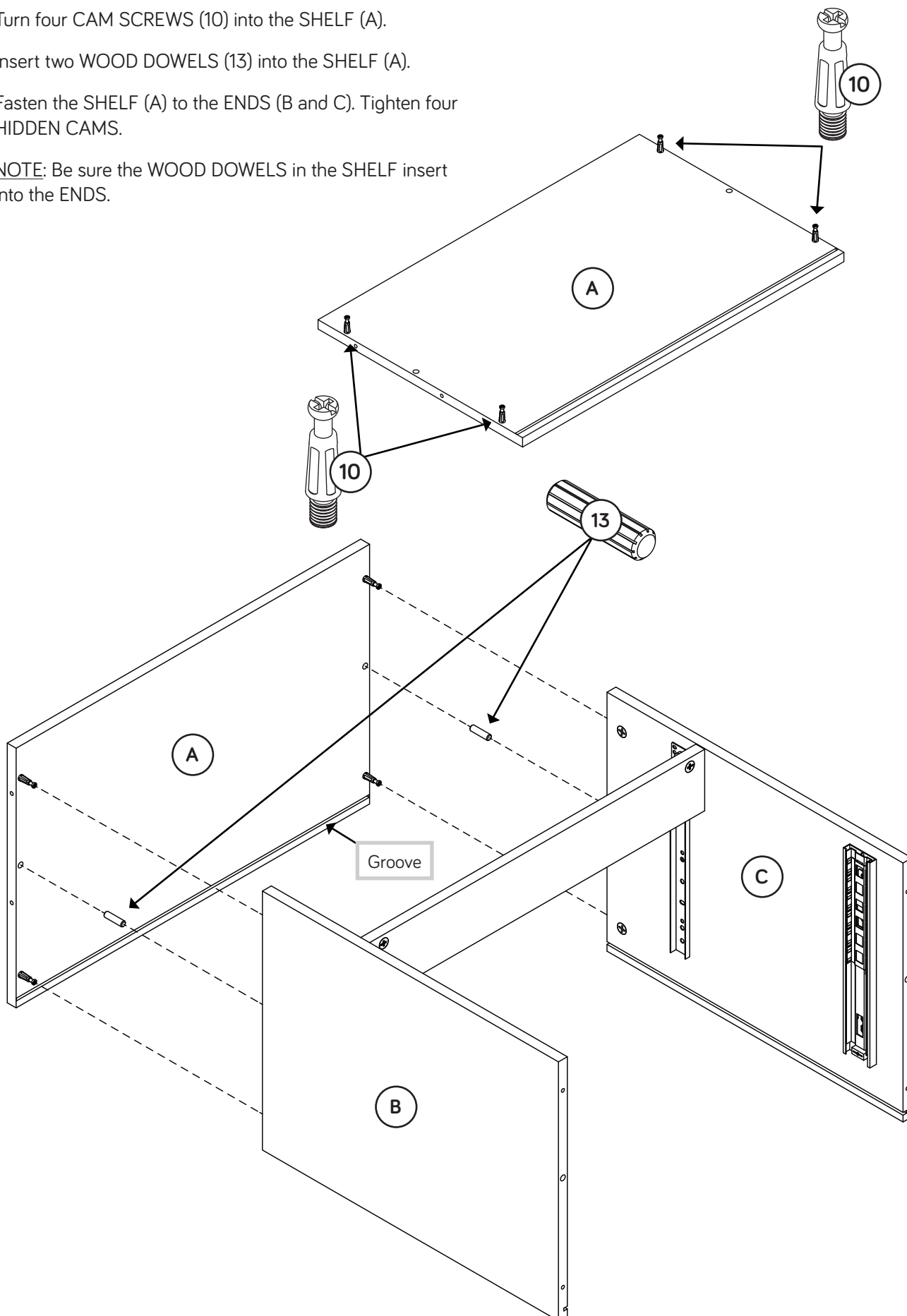
Step 4

- ✚ Push two HIDDEN CAMS (9) into the BRACE (F).
- ✚ Insert a WOOD DOWEL (13) into each END (B and C).
- ✚ Fasten the ENDS (B and C) to the BRACE (F). Tighten two HIDDEN CAMS.
- ✚ **NOTE:** Be sure the WOOD DOWELS in the ENDS insert into the BRACE.



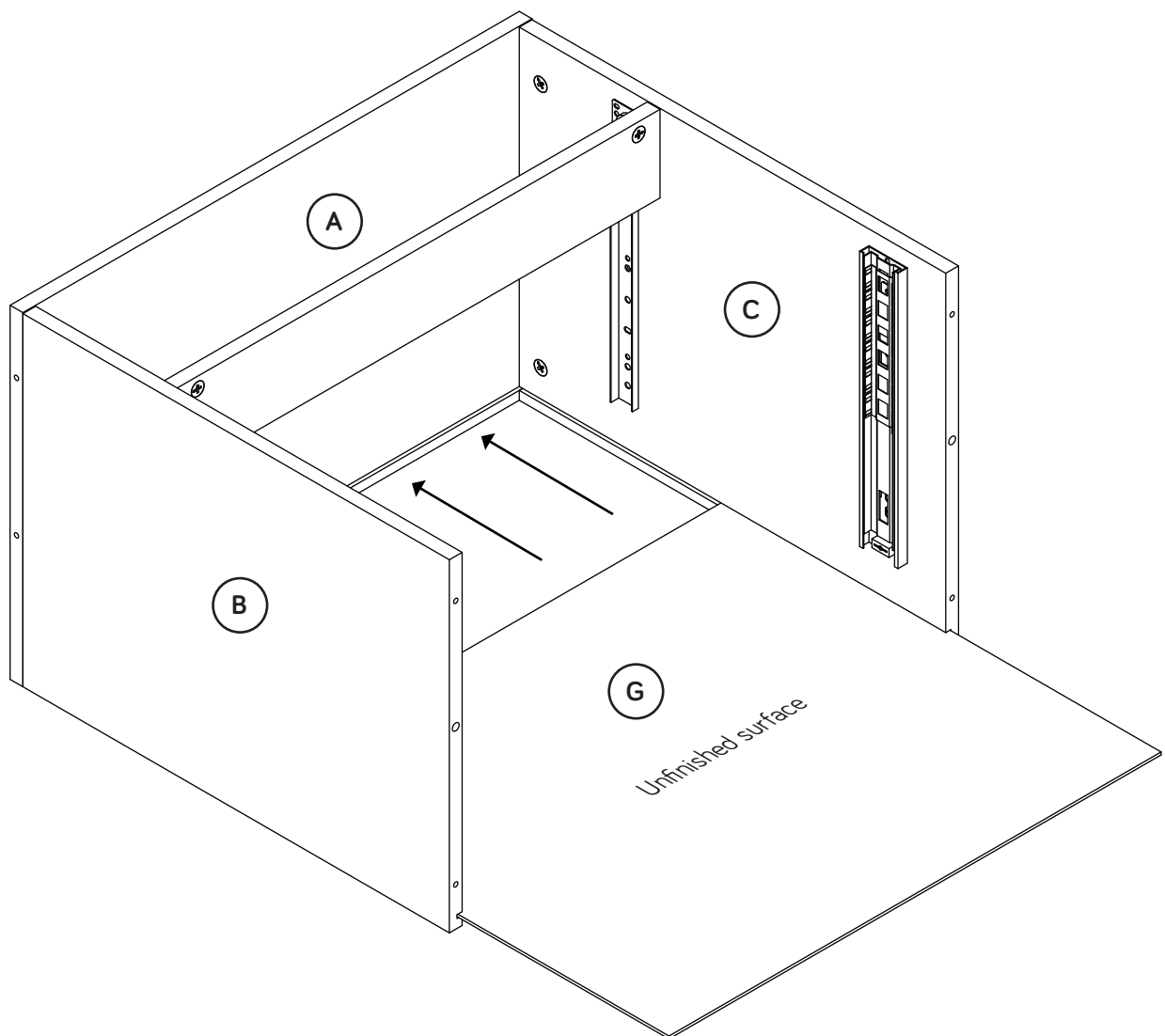
Step 5

- ✚ Turn four CAM SCREWS (10) into the SHELF (A).
- ✚ Insert two WOOD DOWELS (13) into the SHELF (A).
- ✚ Fasten the SHELF (A) to the ENDS (B and C). Tighten four HIDDEN CAMS.
- ✚ **NOTE:** Be sure the WOOD DOWELS in the SHELF insert into the ENDS.



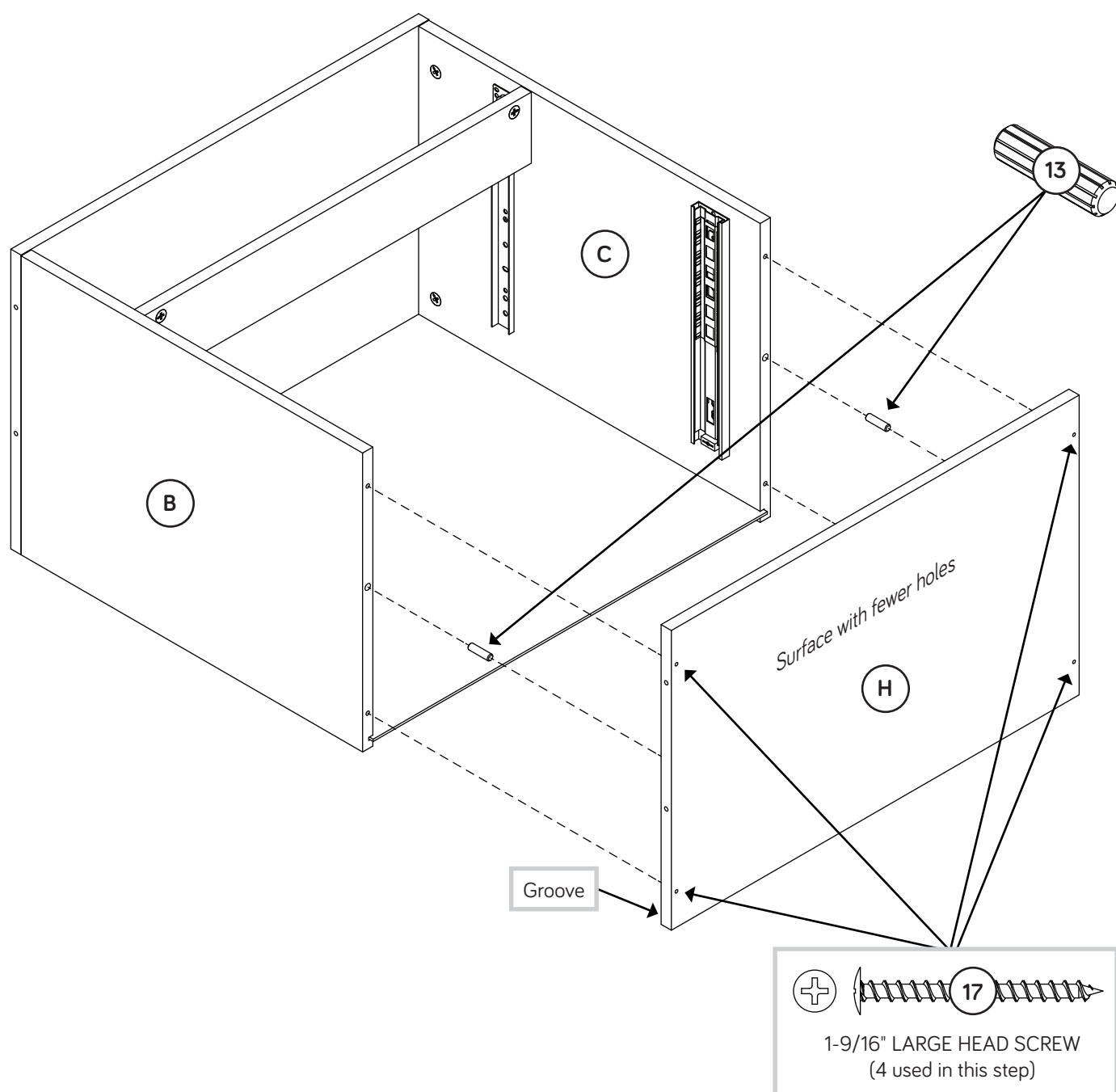
Step 6

- Slide the BACK (G) into the grooves of the ENDS (B and C) and SHELF (A).



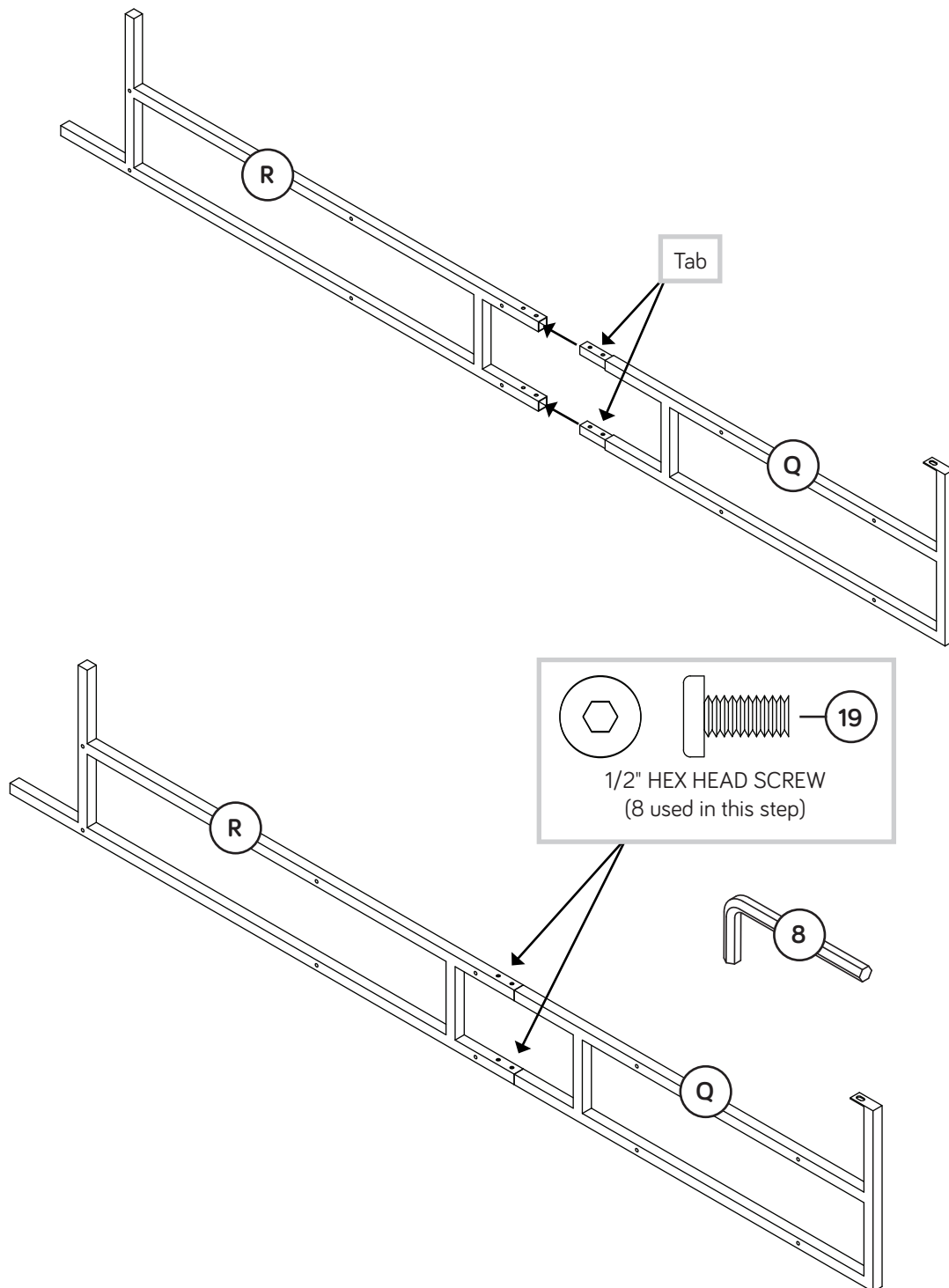
Step 7

- ✚ Insert a WOOD DOWEL (13) into each END (B and C).
- ✚ Fasten the BOTTOM (H) to the ENDS (B and C). Use four 1-9/16" LARGE HEAD SCREWS (17).
- ✚ NOTE: Be sure the WOOD DOWELS in the ENDS insert into the BOTTOM.
- ✚ NOTE: Be sure the BACK inserts into the groove of the BOTTOM.



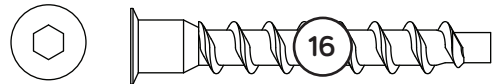
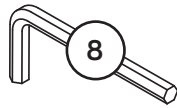
Step 8

- ✚ Push the tabs of an UPPER FRAME (Q) into the holes in a LOWER FRAME (R) as shown in the upper diagram.
- ✚ Fasten the UPPER FRAME (Q) to the LOWER FRAME (R). Tighten four 1/2" HEX HEAD SCREWS (19) using the L-WRENCH (8).
- ✚ Repeat this step.



Step 9

- Fasten the BOTTOM (H), SHELF (A) and one UPPER SHELF (S) to the LOWER FRAMES (R). Tighten twelve 1-7/8" HEX HEAD SCREWS (16) using the L-WRENCH (8).
- Fasten two UPPER SHELVES (S) to the UPPER FRAMES (Q). Tighten eight 1-7/8" HEX HEAD SCREWS (16) using the L-WRENCH (8).



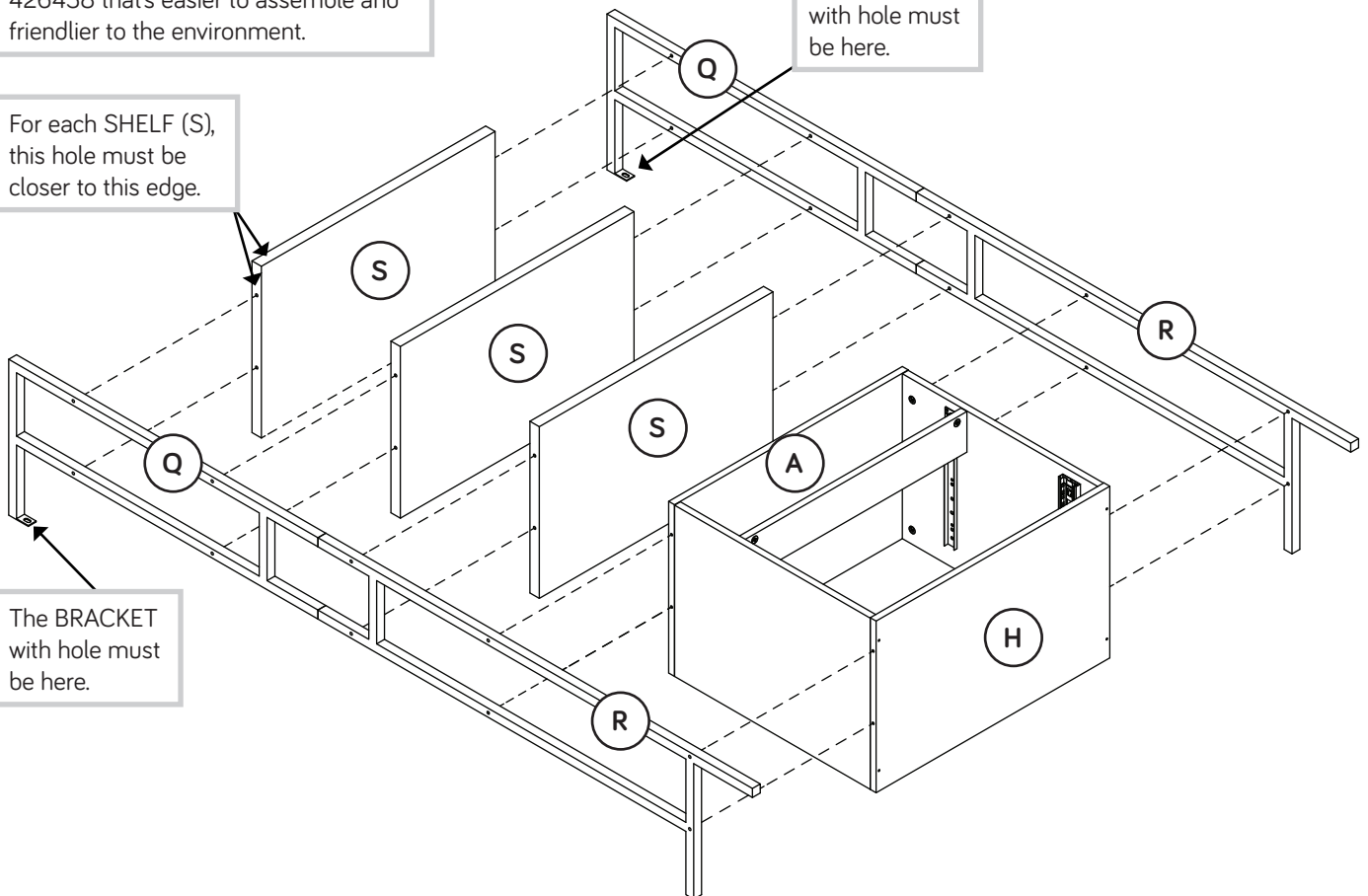
BLACK 1-7/8" HEX HEAD SCREW
(20 used in this step)

Meet Parts (S). This component has been engineered to be lighter, stronger, faster... well ok. Not technically faster. But definitely makes for a sturdier 426438 that's easier to assemble and friendlier to the environment.

For each SHELF (S), this hole must be closer to this edge.

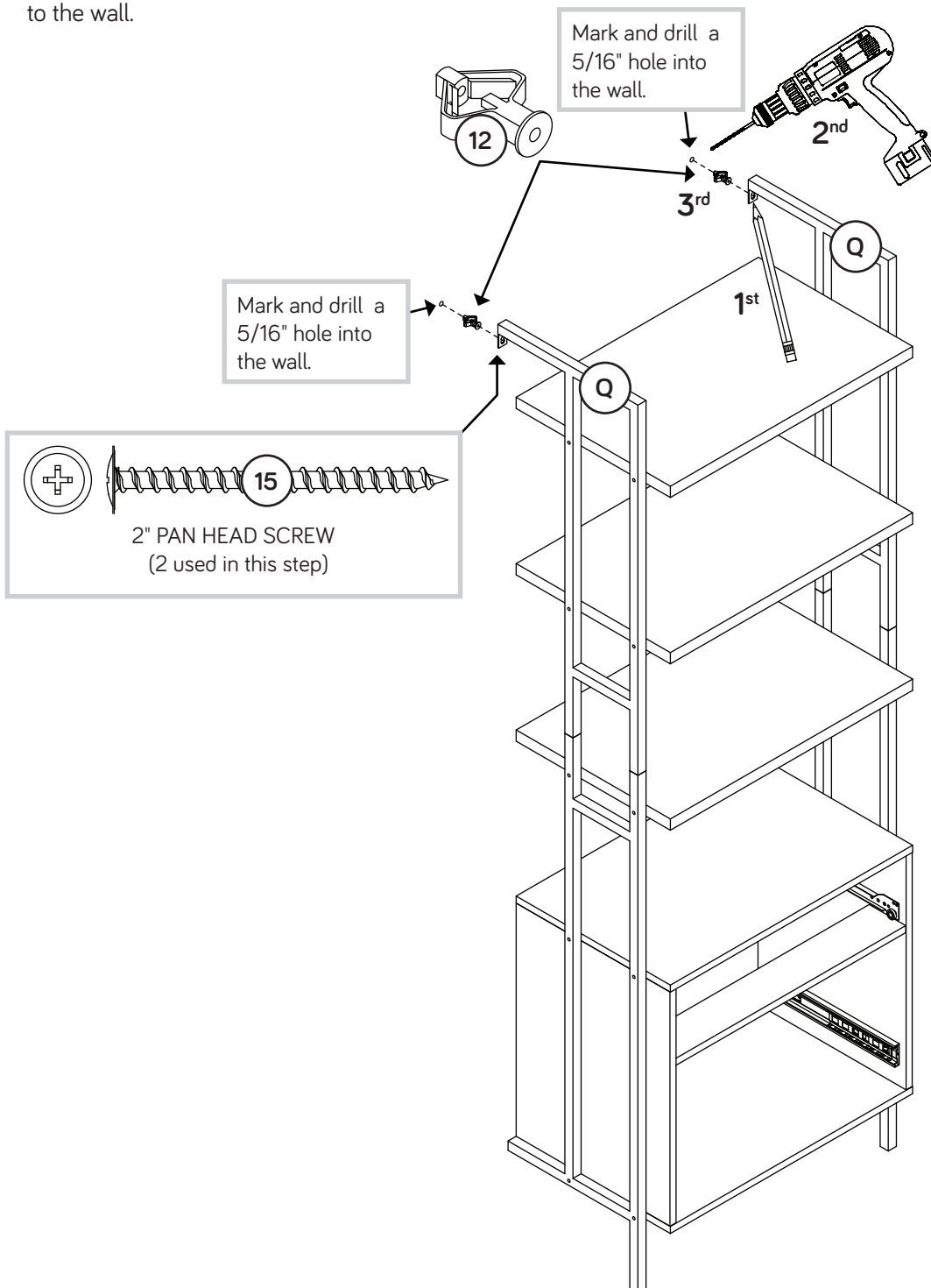
The BRACKET with hole must be here.

The BRACKET with hole must be here.



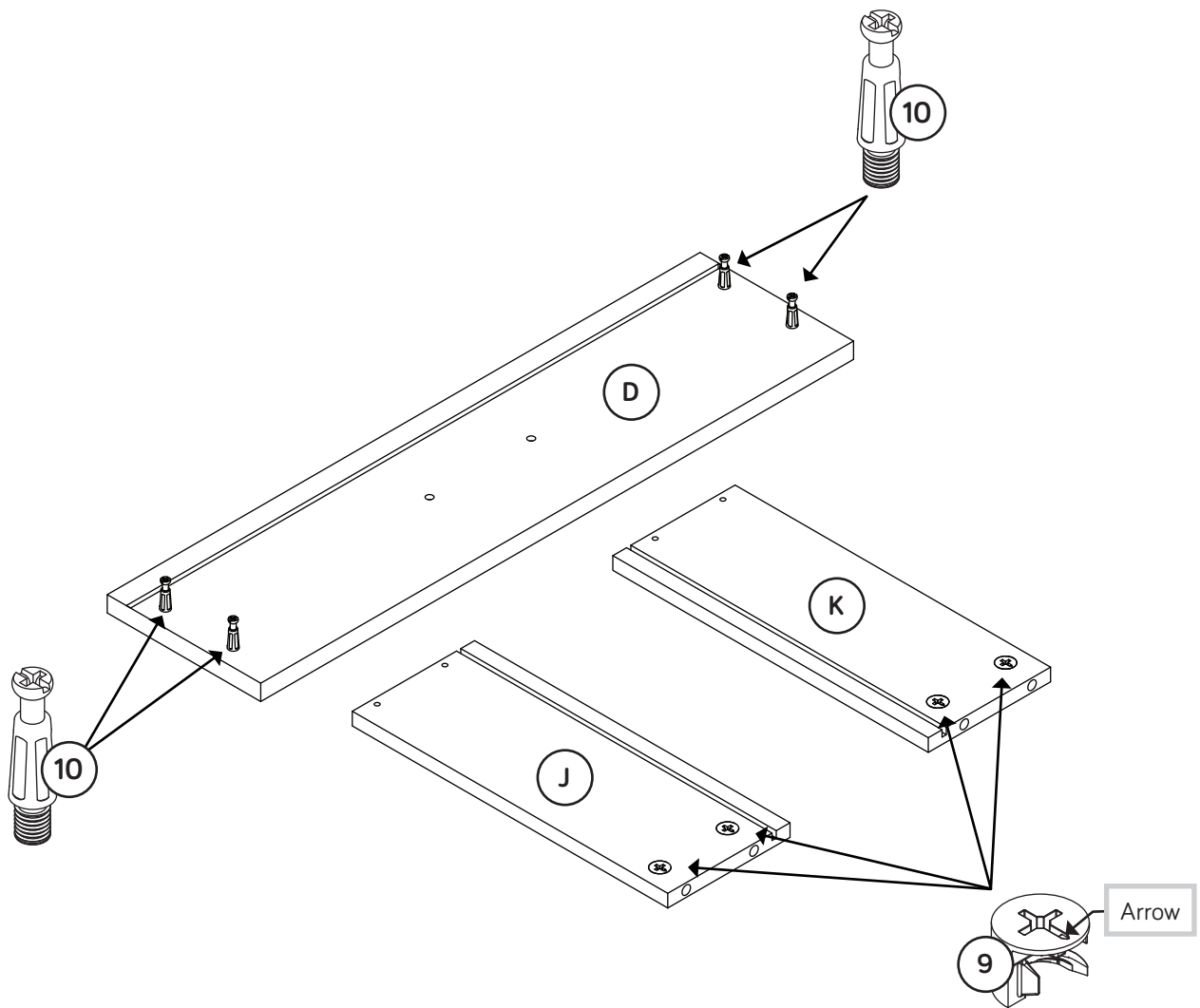
Step 10

- 1st**-Carefully stand your unit upright against the wall in its final location. Strike a mark through the center of the hole in the UPPER FRAMES (Q). Lay your unit down.
- 2nd**-Drill a 5/16" hole on the marks.
- 3rd**-While you squeeze the wings together, gently tap two WALL ANCHORS (12) into the holes until they are even with the surface of the wall.
- Stand your unit upright placing the brackets in the UPPER FRAMES (Q) over the WALL ANCHORS (12).
- Turn two 2" PAN HEAD SCREWS (15) through the holes in the UPPER FRAMES (Q) and into the WALL ANCHORS. (12).
- NOTE:** You will need to turn the 2" PAN HEAD SCREWS (15) multiple turns to completely tighten and secure your unit to the wall.



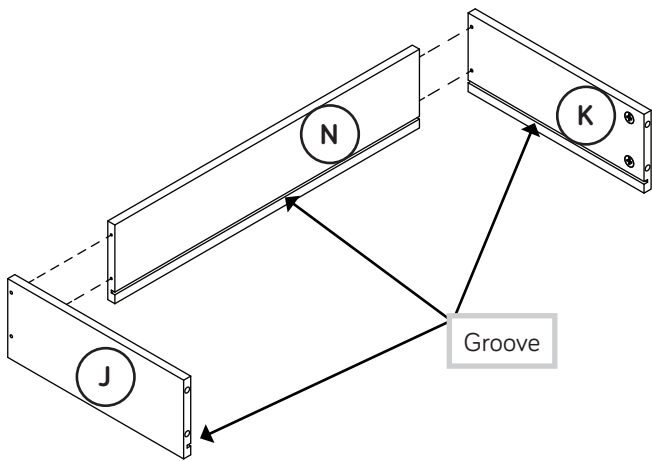
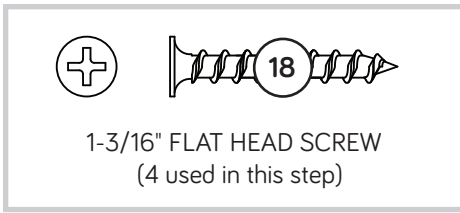
Step 11

- ✚ Turn four CAM SCREWS (10) into the SMALL DRAWER FRONT (D).
- ✚ Push four HIDDEN CAMS (9) into the SMALL DRAWER SIDES (J and K).



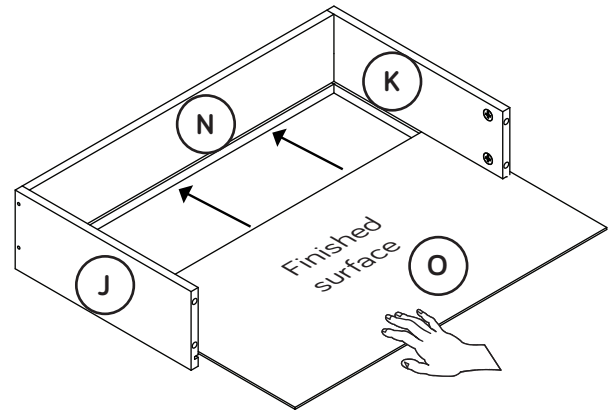
Step 12

1



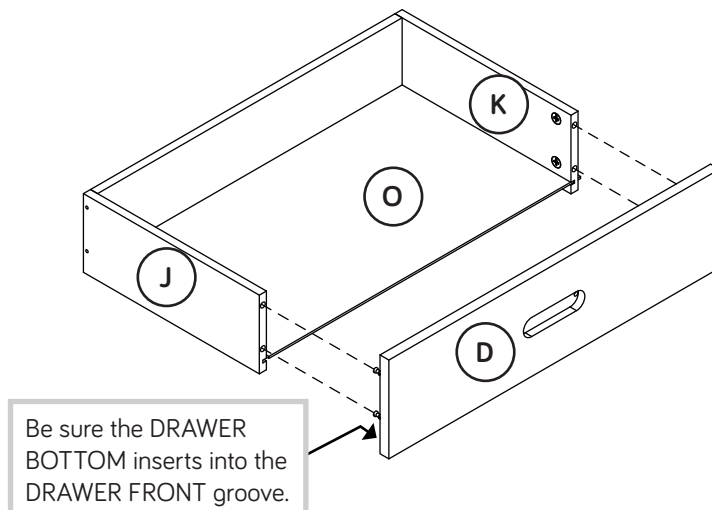
Fasten the SMALL DRAWER SIDES (J and K) to the SMALL DRAWER BACK (N). Use four 1-3/16" FLAT HEAD SCREWS (18).

2



Slide a DRAWER BOTTOM (O) into the grooves in the SMALL DRAWER SIDES (J and K) and SMALL DRAWER BACK (N).

3

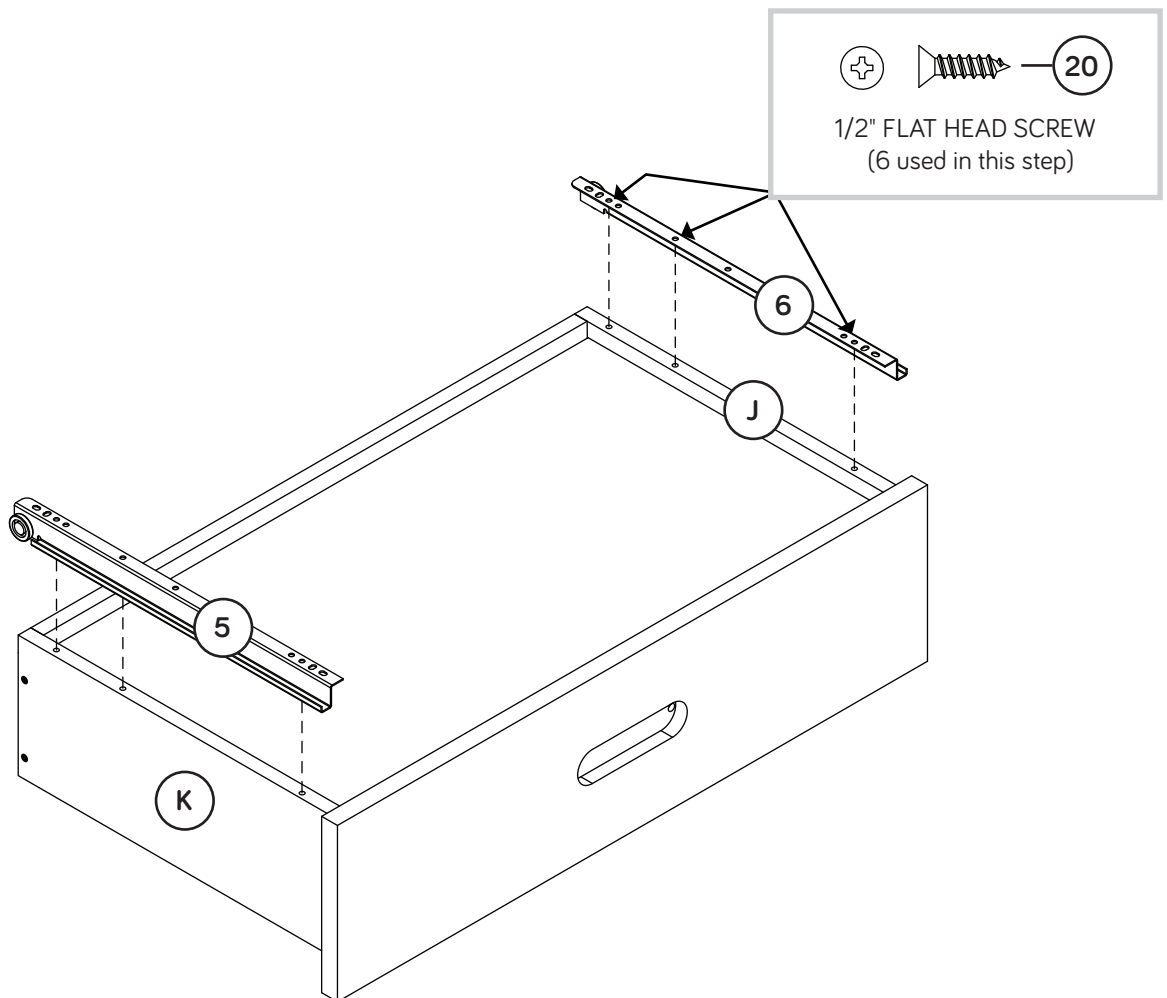


Fasten the SMALL DRAWER FRONT (D) to the SMALL DRAWER SIDES (J and K). Tighten four HIDDEN CAMS.

NOTE: Be sure the DRAWER BOTTOM (O) inserts into the groove of the SMALL DRAWER FRONT (D).

Step 13

- ✦ Flip the SMALL DRAWER over.
- ✦ Fasten the DRAWER RIGHT (5) to the SMALL RIGHT DRAWER SIDE (K). Use three 1/2" FLAT HEAD SCREWS (20) through the 3rd, 5th, and 8th hole from the roller end.
- ✦ Fasten the DRAWER LEFT (6) to the SMALL LEFT DRAWER SIDE (J). Use three 1/2" FLAT HEAD SCREWS (20) through the 3rd, 5th, and 8th hole from the roller end.

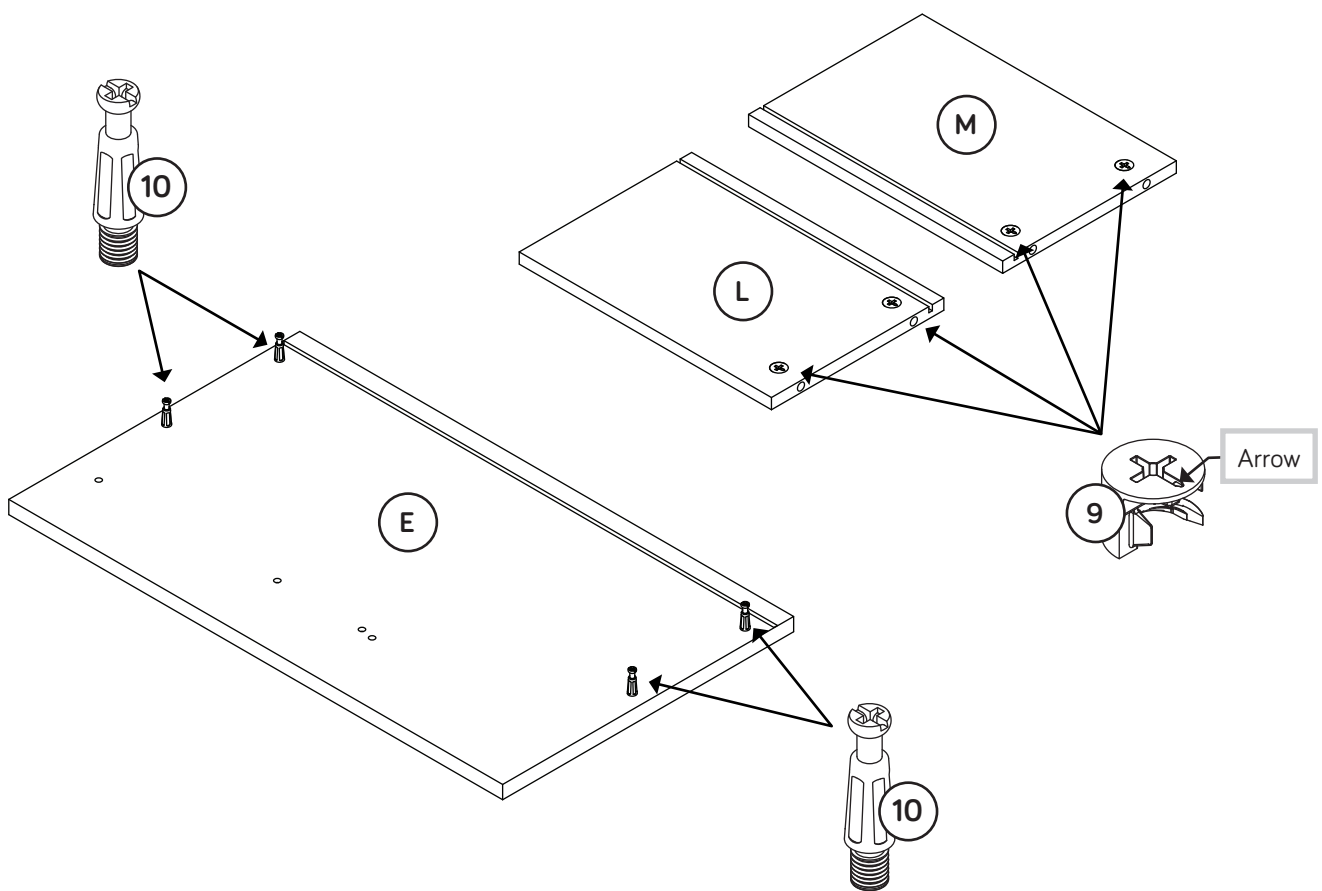


Step 14

- Turn four CAM SCREWS (10) into the LARGE DRAWER FRONT (E).
- Push four HIDDEN CAMS (9) into the LARGE DRAWER SIDES (L and M).



Now might be a good time to refresh your drink.

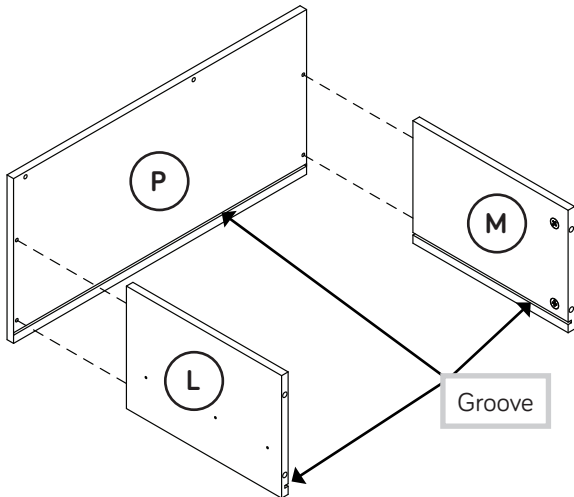


Step 15

1

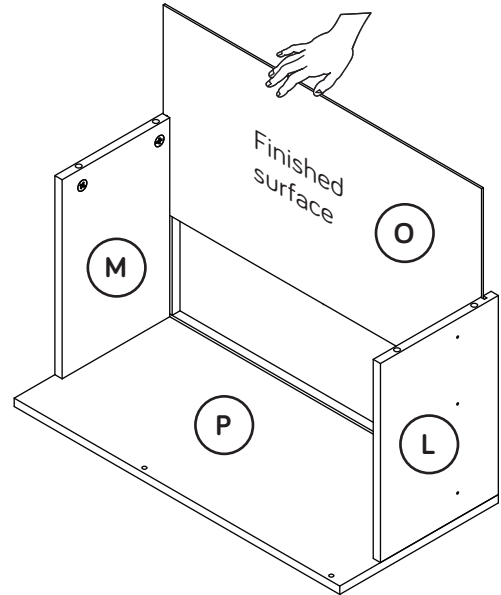


1-3/16" FLAT HEAD SCREW
(4 used in this step)



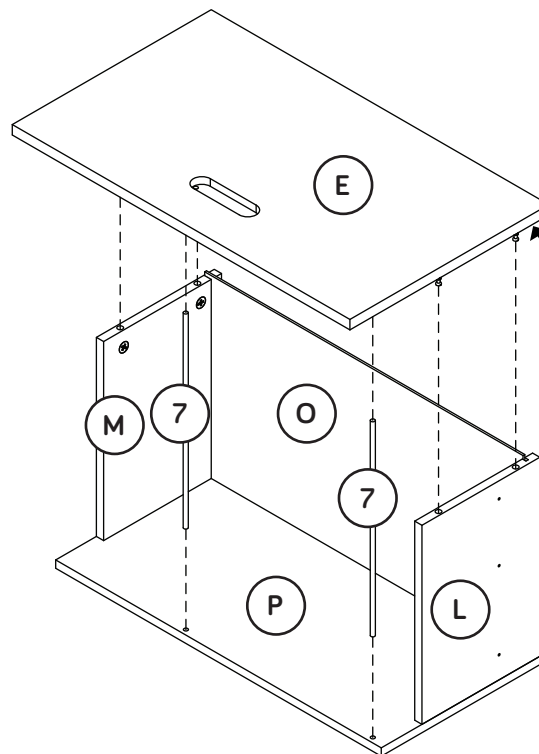
✚ Fasten the LARGE DRAWER SIDES (L and M) to the LARGE DRAWER BACK (P). Use four 1-3/16" FLAT HEAD SCREWS (18).

2



✚ Slide the DRAWER BOTTOM (O) into the grooves in the LARGE DRAWER SIDES (L and M) and LARGE DRAWER BACK (P).

3

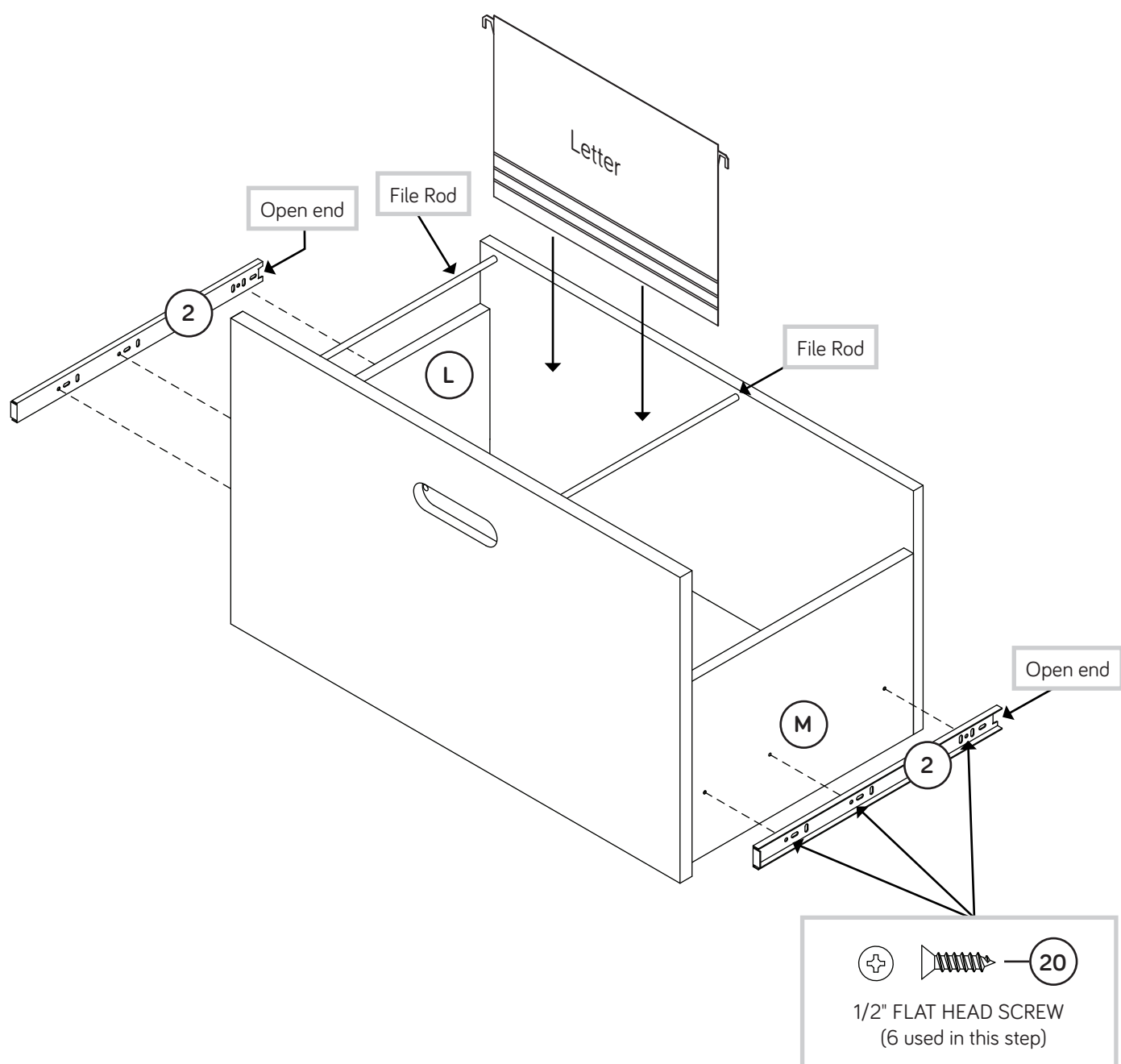


Be sure the DRAWER BOTTOM inserts into the DRAWER FRONT groove.

- ✚ Insert two FILE RODS (7) into the holes of the LARGE DRAWER BACK (P).
- ✚ Fasten the LARGE DRAWER FRONT (E) to the LARGE DRAWER SIDES (L and M) and FILE RODS (7). Tighten four HIDDEN CAMS.
- ✚ **NOTE:** Be sure the DRAWER BOTTOM (O) inserts into the groove of the LARGE DRAWER FRONT (E). Be sure the FILE RODS (7) insert into the LARGE DRAWER FRONT (E).. Page

Step 16

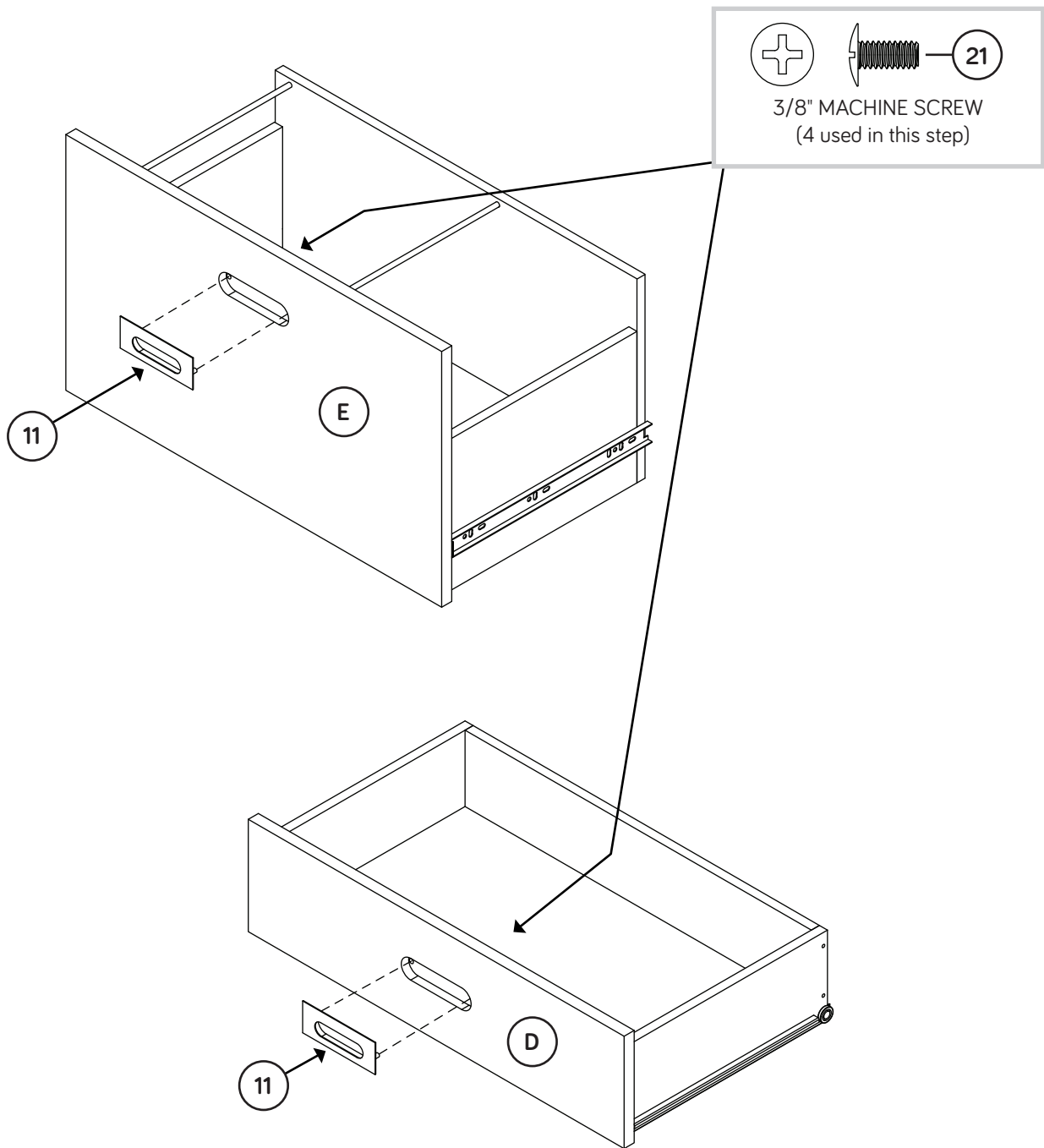
- Fasten the EXTENSION SLIDES (2) to the LARGE DRAWER SIDES (L and M). Use six 1/2" FLAT HEAD SCREWS (20).
- This drawer will accommodate letter size files. Place your file hangers (not included) onto the FILE RODS.








Step 17

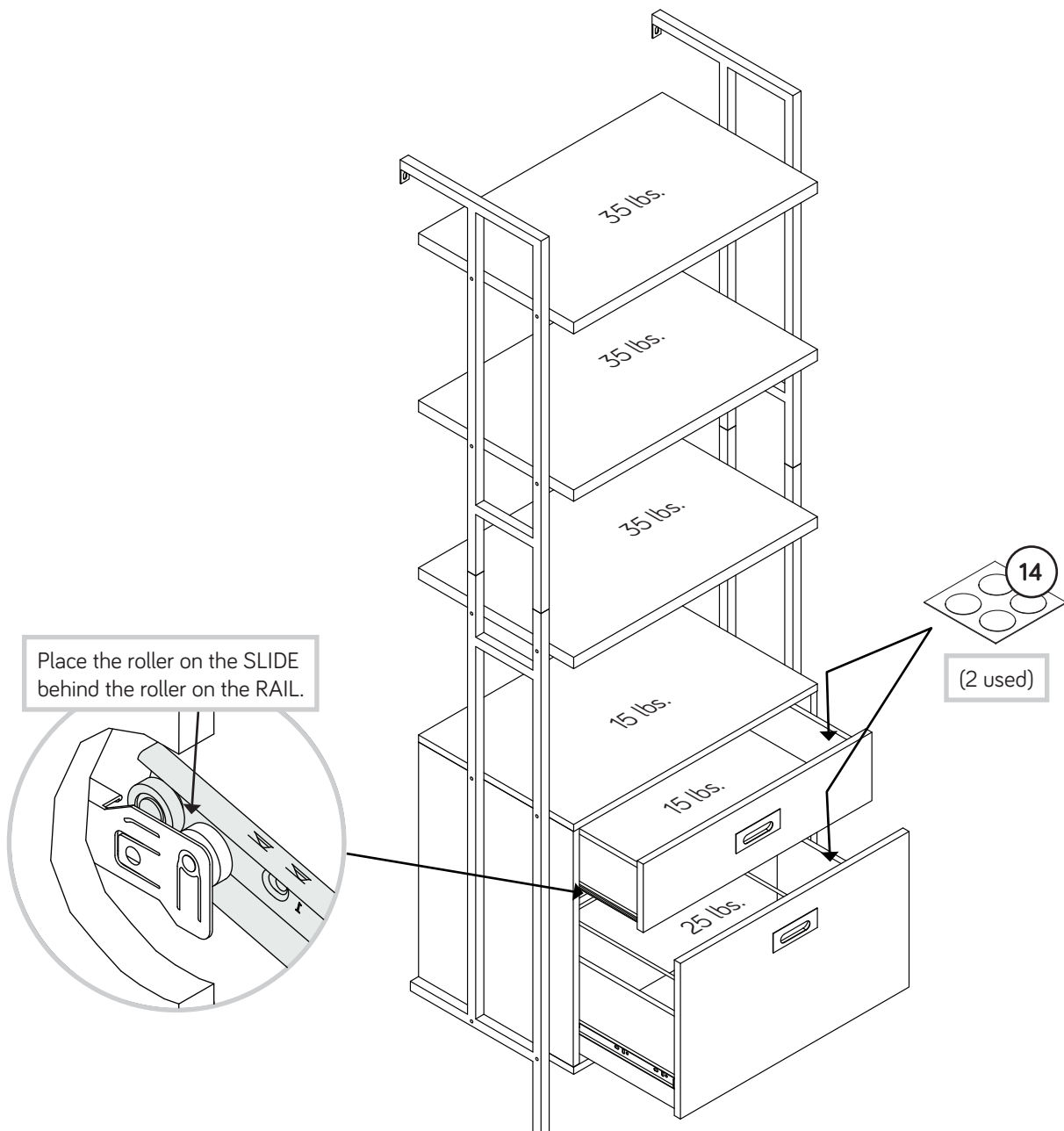
- Fasten the PULLS (11) to the DRAWER FRONTS (D and E)
Use four 3/8" MACHINE SCREWS (21).

Zzz Almost time to celebrate! With a nap.



Step 18

- ✚ To insert the small drawer into your unit, tip the front of the drawer down and drop the rollers on the drawer behind the rollers on the unit. Lift the front of the drawer up and slide it into the unit.
- ✚ To insert the large drawer into your unit, line up the EXTENSION SLIDES on the drawer with the EXTENSION RAILS on the unit and push the drawer into the unit until the drawer is fully inserted. The drawer will push in hard until it is all the way in, then it will slide in and out easier.
- ✚ Peel APPLIQUES from the APPLIQUE CARD (14) and stick them onto each visible HIDDEN CAM.
- ✚ **NOTE:** Please read the back pages of the instruction booklet for important safety information.
- ✚ This completes assembly. Clean with a damp cloth. Wipe dry.
- ★ **And to celebrate, why not share your success story at sauder.com or**     



WARNING

Please use your furniture correctly and safely. Improper use can cause safety hazards, or damage to your furniture or household items. ***Carefully read the following chart.***

Look out for:	What can happen:	How to avoid the problem:
<ul style="list-style-type: none">• Overloaded shelves.• Improper loading can cause the product to be top-heavy.	<ul style="list-style-type: none">• Risk of injury.• Top-heavy furniture can tip over.• Overloaded shelves can break.	<ul style="list-style-type: none">• Never exceed the weight limits shown in the instructions.• Work from bottom to top when loading shelves. Place the heavier items on the lower shelves.
<ul style="list-style-type: none">• Improperly moving furniture that is not designed and equipped with casters.	<ul style="list-style-type: none">• Furniture can tip over or break if improperly moved.• Physical injury. Furniture can be very heavy.	<ul style="list-style-type: none">• Unload shelves from top to bottom before moving the furniture.• Do not push furniture, especially on a carpeted floor. Have a friend help you lift the item and set it in place.• This unit must be positioned against a wall.
<ul style="list-style-type: none">• Children climbing on the shelves can cause the product to tip.	<ul style="list-style-type: none">• Risk of injury or death.	<ul style="list-style-type: none">• Do not allow children to climb on the shelves. Avoid placing items like toys or candy on upper shelves.• Use the supplied tipping restraint kit for added stability.
<ul style="list-style-type: none">• Placing TVs on furniture items that are not designed to support a television is hazardous.	<ul style="list-style-type: none">• Risk of injury or death. TVs can be very heavy. Plus the weight and location of the picture tube tends to make TVs unbalanced and prone to tipping forward.	<ul style="list-style-type: none">• This product is not designed to support a television.
Properly mounting the unit to the wall.	If not properly mounted, the unit can fall and cause injury and damage.	Carefully review and follow the mounting instructions contained in this manual. This product is designed to be mounted to a wall. This will reduce but not eliminate the risk caused by climbing.