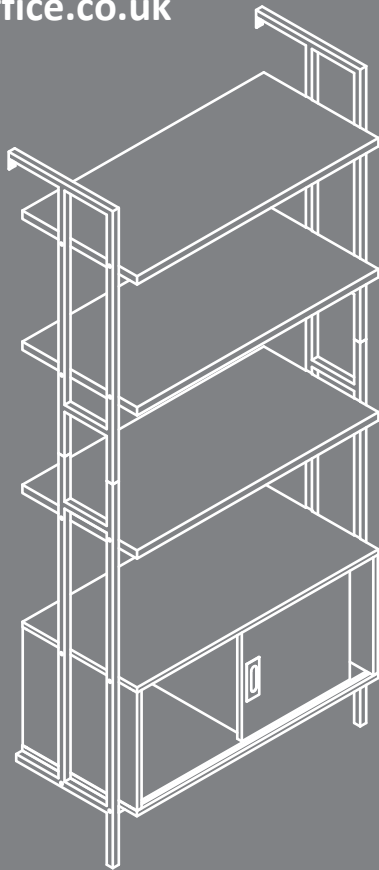


www.teknikoffice.co.uk



Teknik

The **stories** of your life.

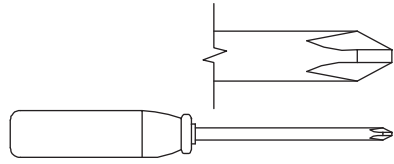
Hythe Wall Mounted 4 Shelf Bookcase with Door

5426436

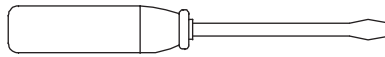
Table of Contents

Assembly Tools Required

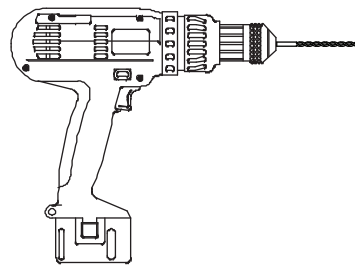
| | |
|-------------------------|------|
| Part Identification | 3 |
| Hardware Identification | 4-5 |
| Assembly Steps | 6-17 |



No. 2 Phillips Screwdriver
Tip Shown Actual Size



Straight Edge Screwdriver



Electric drill with 5/16" bit
(ONLY in indicated step)

Part Identification

Now you know
our ABCs.

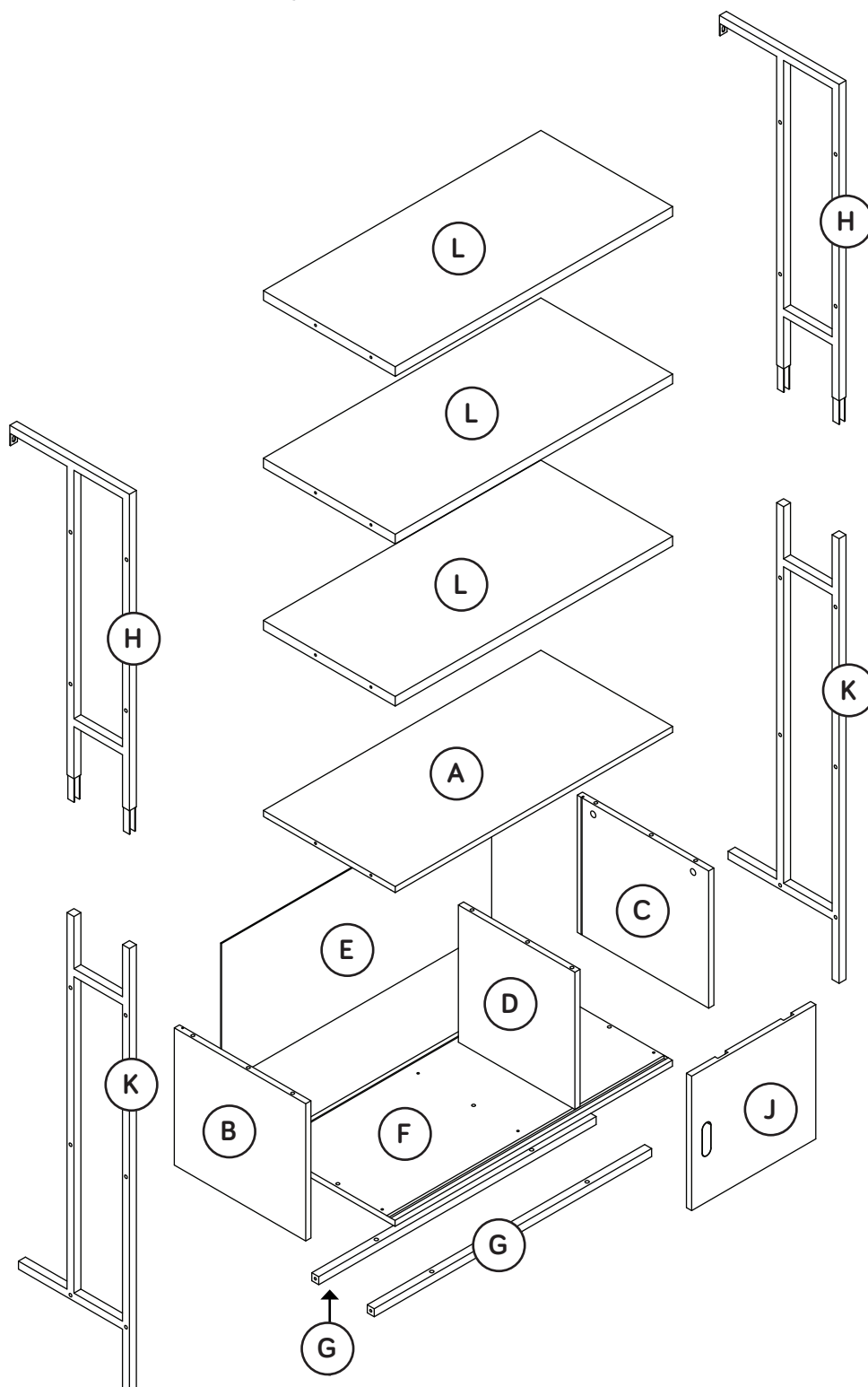


⚡ While not all parts are labeled, some of the parts will have a label or an inked letter on the edge to help distinguish similar parts from each other. Use this part identification to help identify similar parts.

| | |
|---|---------------|
| A | TOP (1) |
| B | LEFT END (1) |
| C | RIGHT END (1) |
| D | UPRIGHT (1) |

| | |
|---|-----------------|
| E | BACK (1) |
| F | BOTTOM (1) |
| G | BRACE (2) |
| H | UPPER FRAME (2) |

| | |
|---|-----------------|
| J | DOOR (1) |
| K | LOWER FRAME (2) |
| L | SHELF (3) |



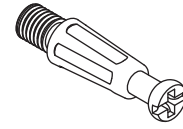
Hardware Identification

† Screws are shown actual size. You may receive extra hardware with your unit.

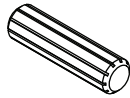
1 HIDDEN CAM - 6



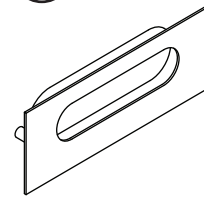
2 CAM SCREW - 6



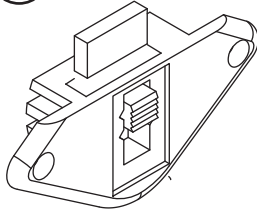
3 WOOD DOWEL - 6



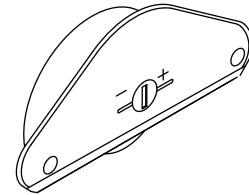
4 PULL - 1



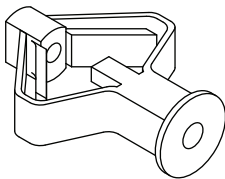
5 UPPER GUIDE - 2



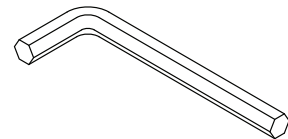
6 LOWER GUIDE - 2



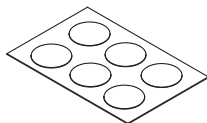
7 WALL ANCHOR - 2



8 L-WRENCH - 1



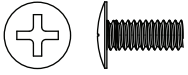
9 APPLIQUE CARD - 1



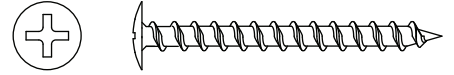
Hardware Identification

⚠ Screws are shown actual size. You may receive extra hardware with your unit.

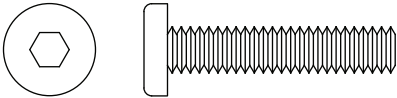
10 3/8" MACHINE SCREW - 2



11 1-9/16" PAN HEAD SCREW - 6



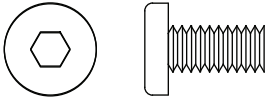
12 1-3/16" HEX HEAD SCREW - 8



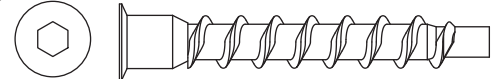
13 1/2" FLAT HEAD SCREW - 8



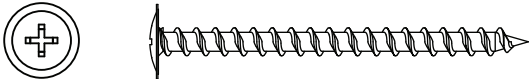
14 1/2" HEX HEAD SCREW - 8



15 1-15/16" HEX HEAD SCREW - 16



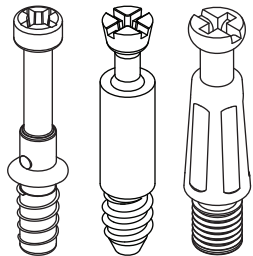
16 2" PAN HEAD SCREW - 2



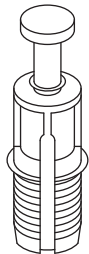
Hardware Usage Guide

HOW TO USE A HIDDEN CAM & CAM SCREW OR CAM DOWEL

1. NOTE: Various CAM SCREWS or a CAM DOWEL may be used.

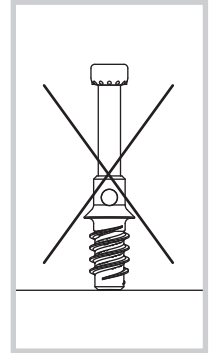
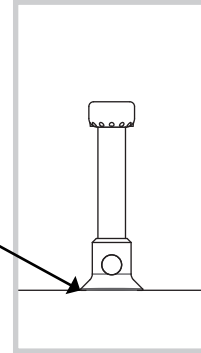


Cam Screws

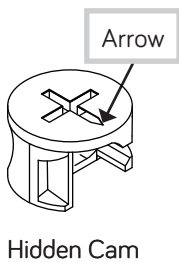


Cam Dowel

Turn the CAM SCREW or gently tap the CAM DOWEL until the shoulder is against the surface of the part.

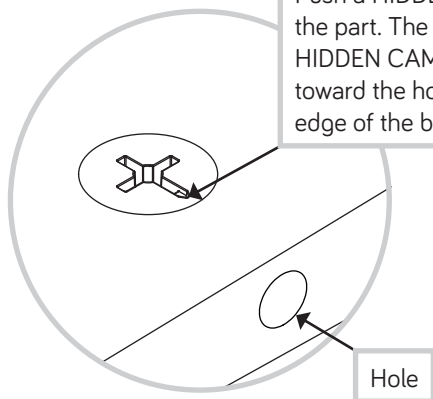


2.



Arrow

Hidden Cam

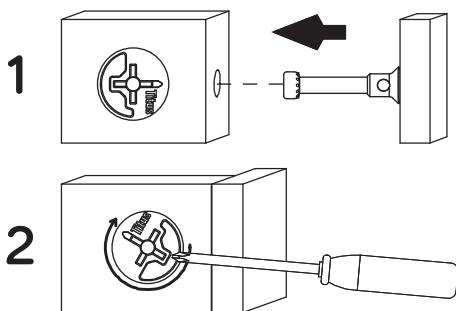


Push a HIDDEN CAM into the part. The arrow in the HIDDEN CAM must point toward the hole in the edge of the board.

Hole

3.

Insert the CAM SCREW or CAM DOWEL into the HIDDEN CAM. Tighten the HIDDEN CAM.

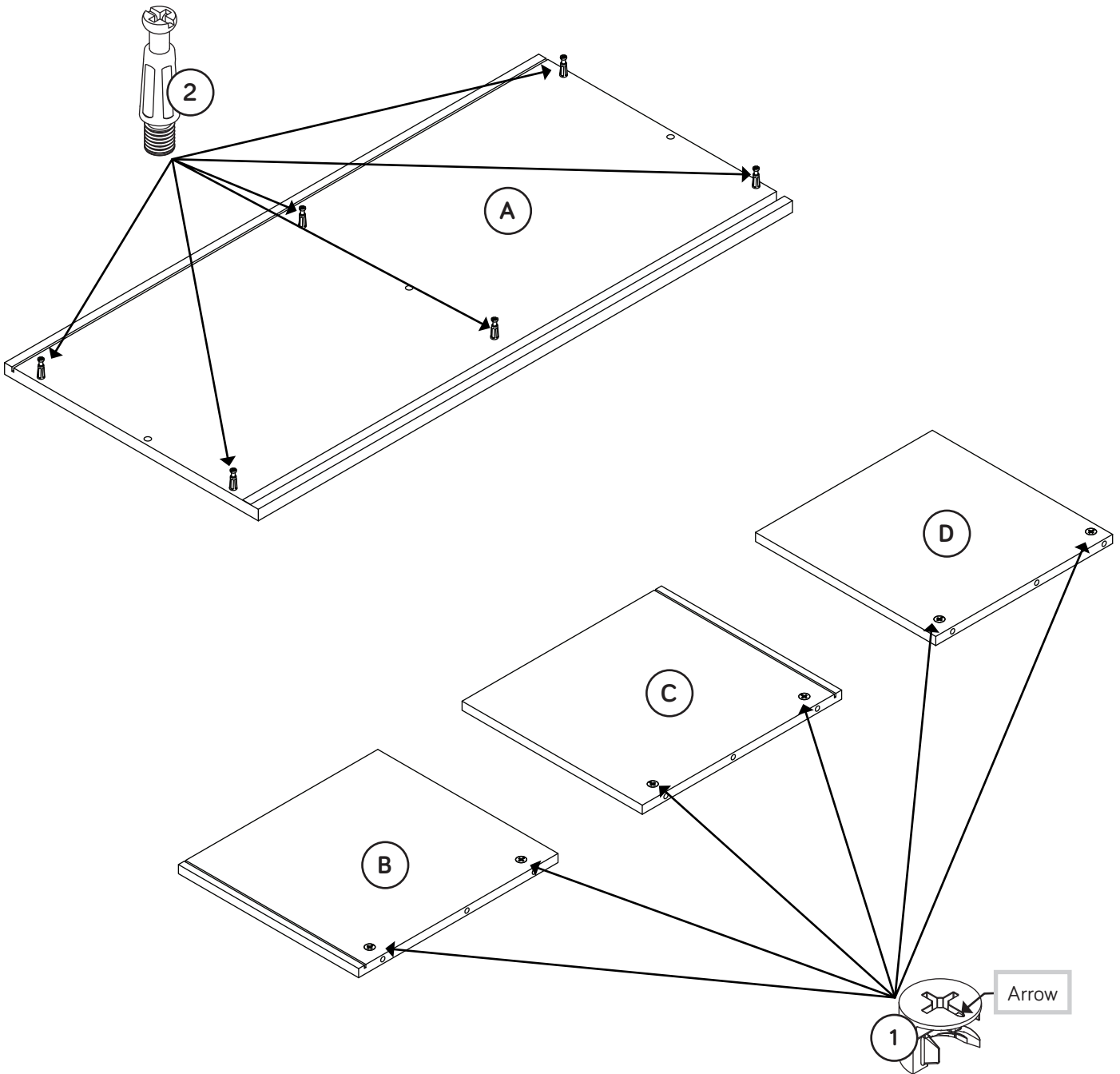


Step 1

- ✚ Assemble your unit on a carpeted floor or on the empty carton to avoid scratching your unit or the floor.
- ✚ Turn six CAM SCREWS (2) into the TOP (A).
- ✚ Push six HIDDEN CAMS (1) into the ENDS (B and C), and UPRIGHT (D).

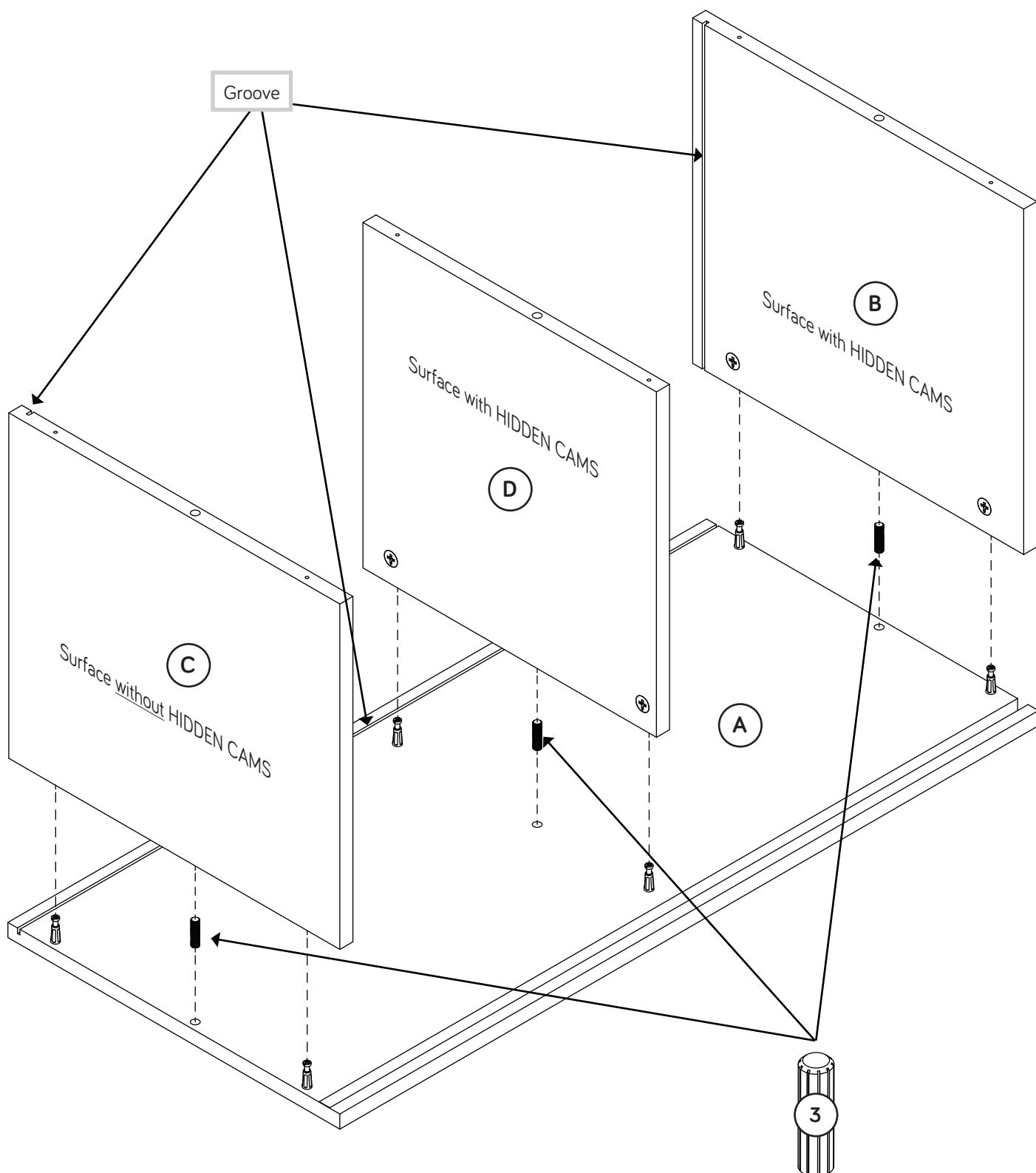


Just think. The sooner you do this, the sooner you do something else.



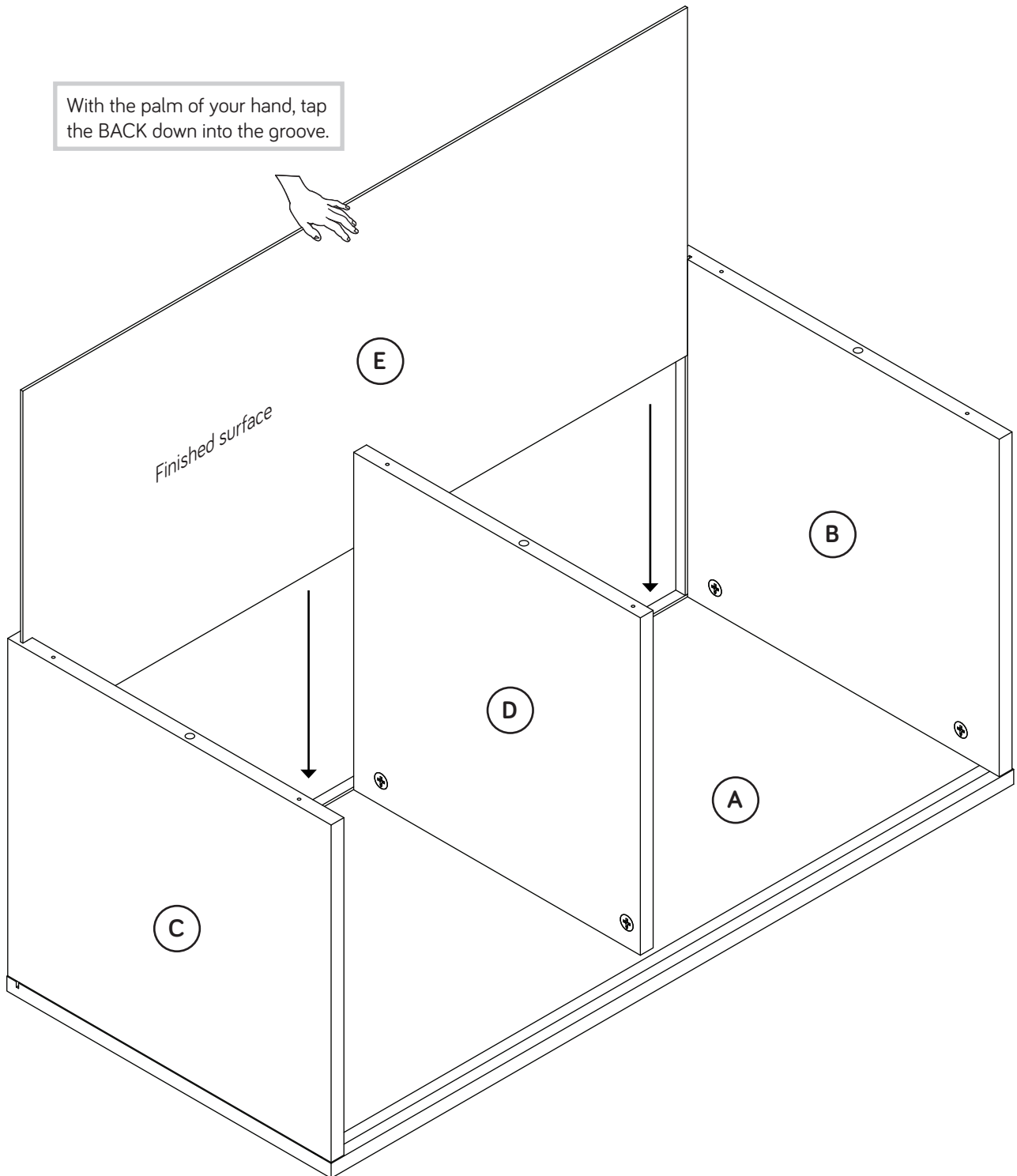
Step 2

- ✚ Insert three WOOD DOWELS (3) into the TOP (A).
- ✚ Fasten the ENDS (B and C) and UPRIGHT (D) to the TOP (A).
Tighten six HIDDEN CAMS.
- ✚ **NOTE:** Be sure the WOOD DOWELS in the TOP insert into the ENDS and UPRIGHT.



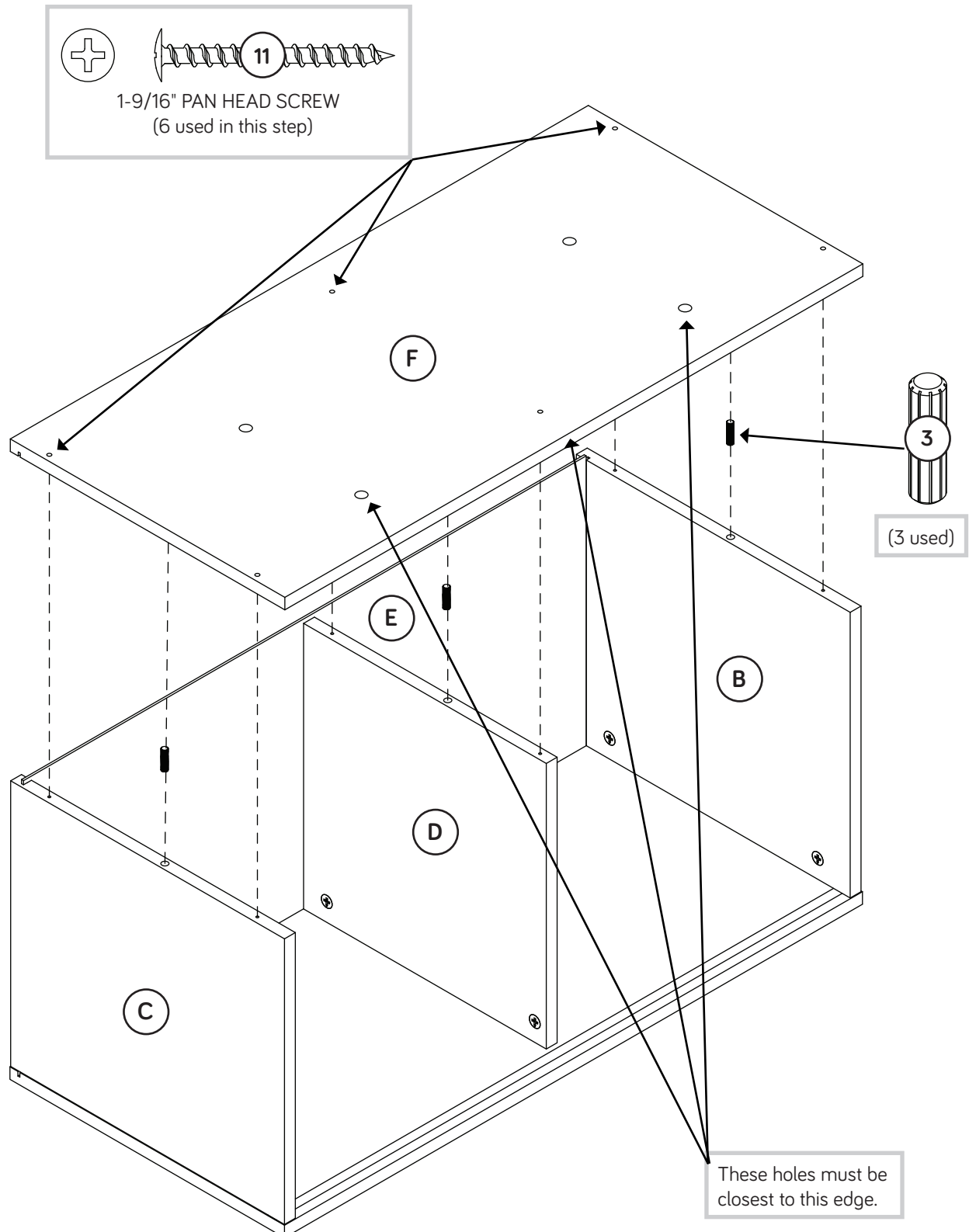
Step 3

- Slide the BACK (E) into the grooves in the ENDS (B and C) and TOP (A).



Step 4

- ✚ Insert three WOOD DOWELS (3) into the ENDS (B and C), and UPRIGHT (D).
- ✚ Fasten the BOTTOM (F) to the ENDS (B and C), and UPRIGHT (D). Use six 1-9/16" PAN HEAD SCREWS (11).
- ✚ NOTE: Be sure the WOOD DOWELS in the ENDS and UPRIGHT insert into the BOTTOM.



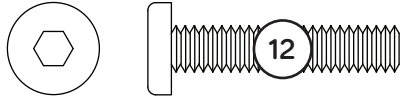
Step 5

Fasten the BRACES (G) to the BOTTOM (F). Tighten four 1-3/16" HEX HEAD SCREWS (12) using the L-WRENCH (8).

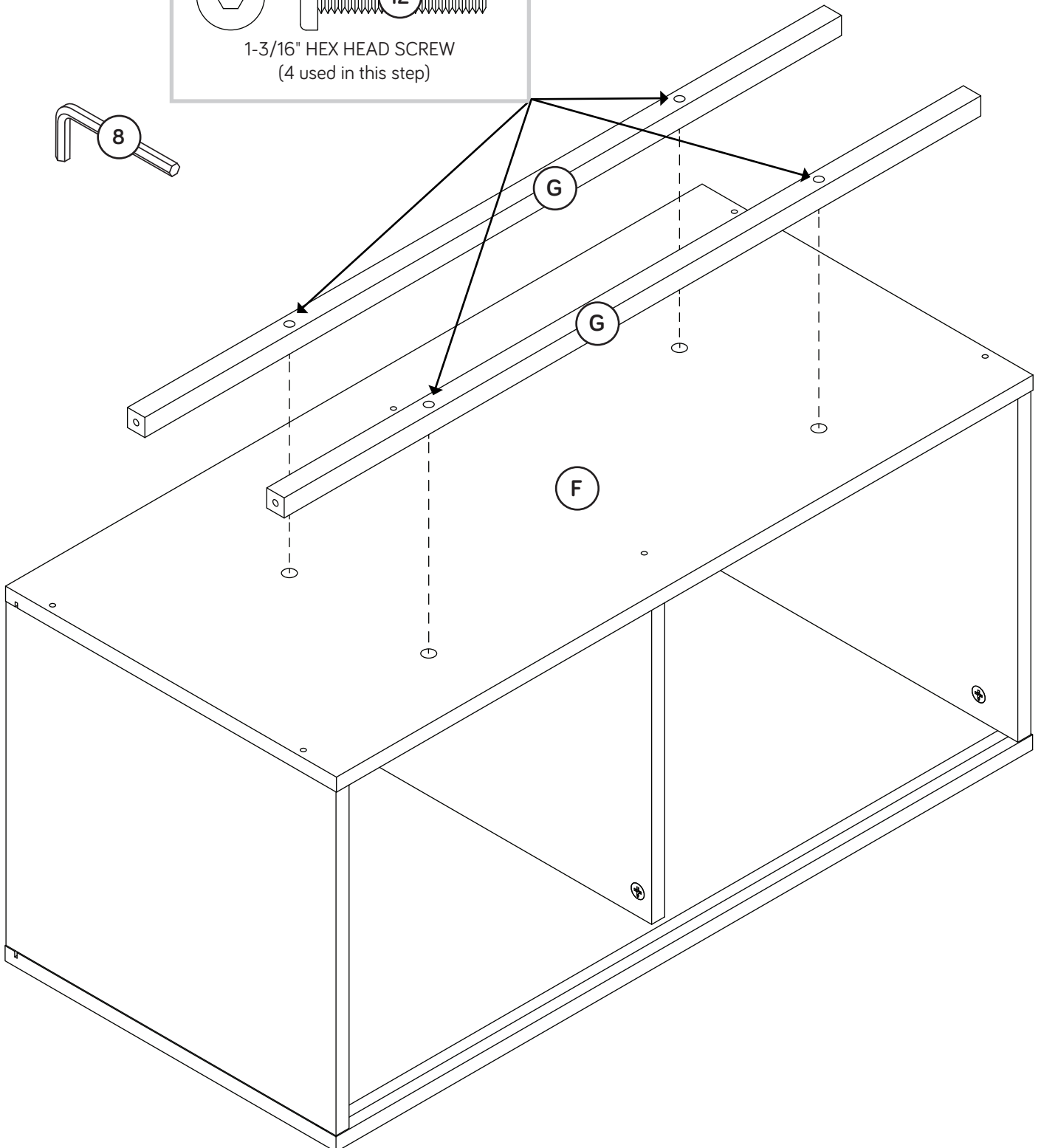
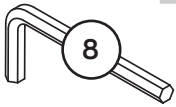
NOTE: You should start each SCREW a few turns before completely tightening any of them.



Now might be a good time to refresh your drink.

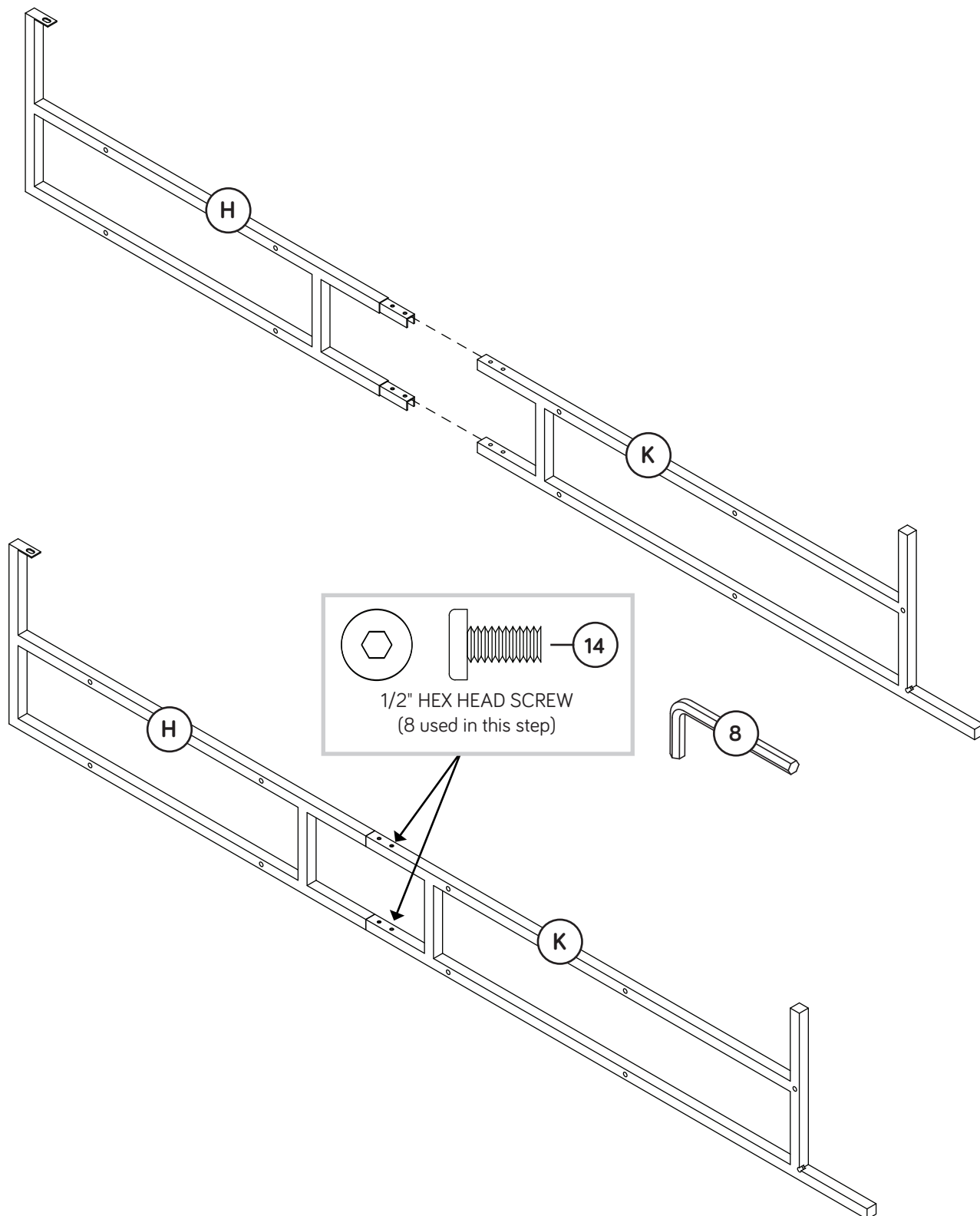


1-3/16" HEX HEAD SCREW
(4 used in this step)



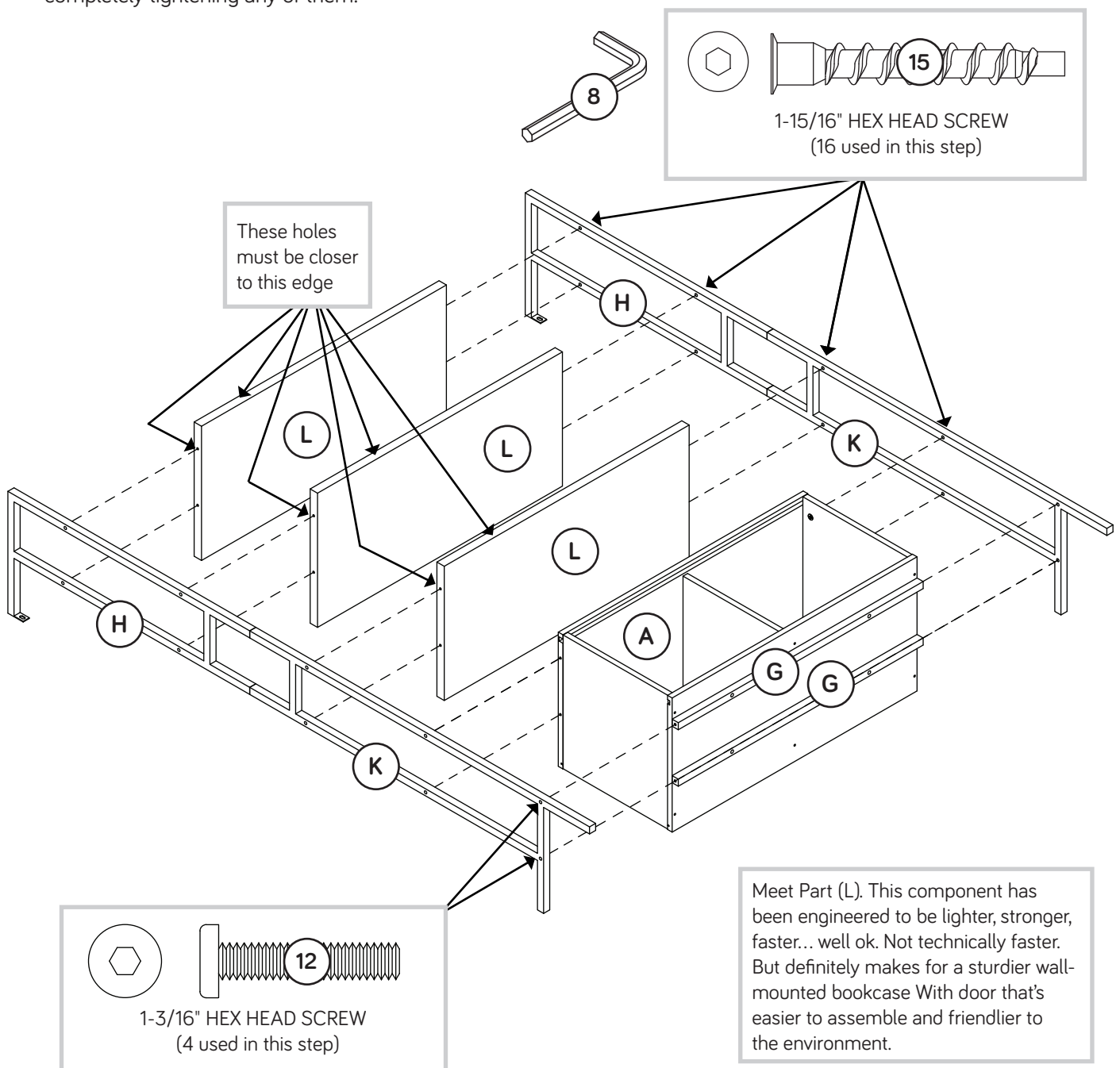
Step 6

- Fasten a UPPER FRAME (H) to a LOWER FRAME (K).
Tighten four 1/2" HEX HEAD SCREWS (14) using the L-WRENCH (8).
- NOTE:** You should start each SCREW a few turns before completely tightening any of them.
- Repeat this step for the remaining FRAMES.



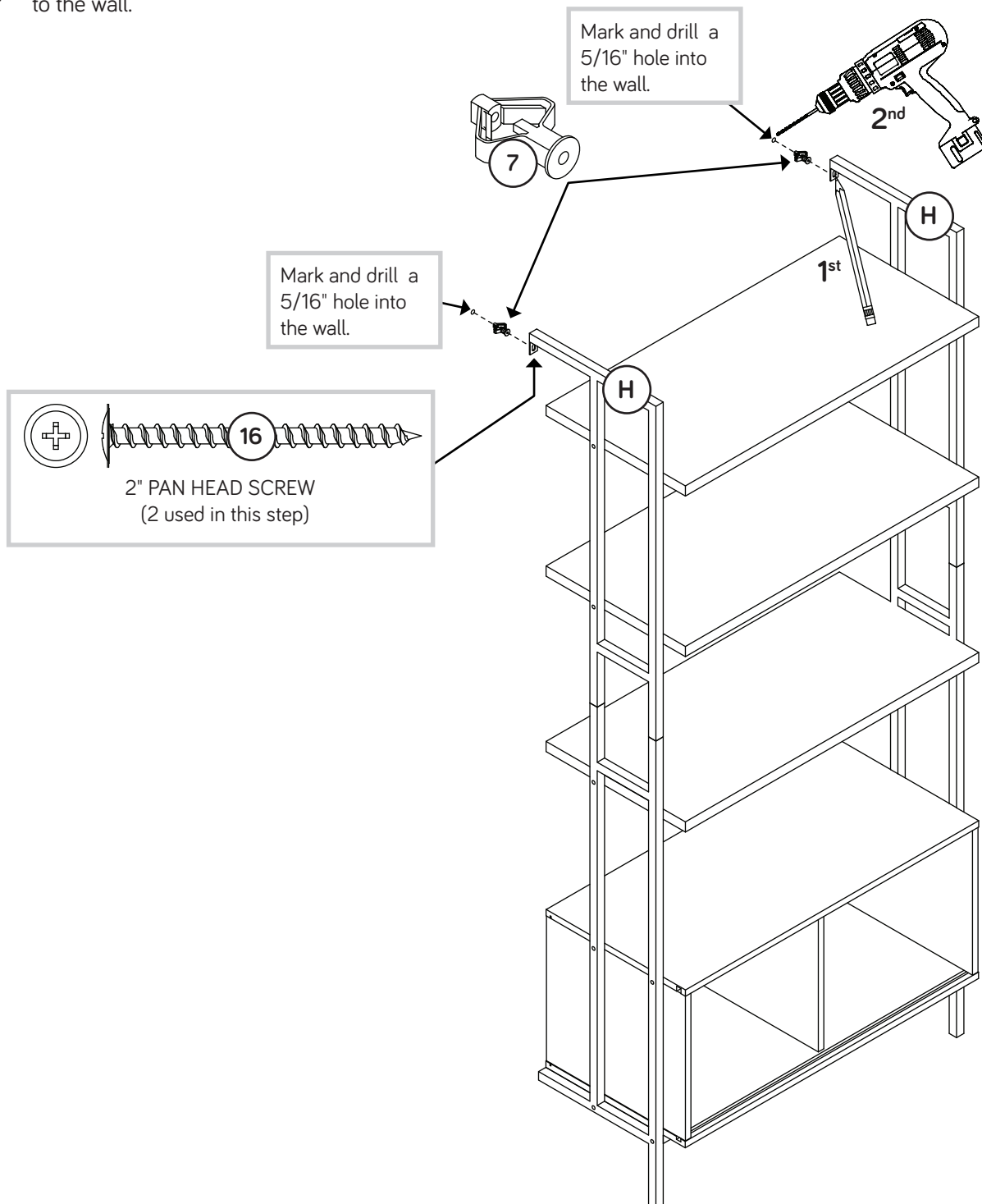
Step 7

- ✚ Turn the assembly onto its back edges.
- ✚ Fasten the FRAMES (H and K) to the TOP (A) and SHELVES (L). Tighten sixteen 1-15/16" HEX HEAD SCREWS (15) using the L-WRENCH (8).
- ✚ NOTE: You should start each SCREW a few turns before completely tightening any of them.
- ✚ Fasten the LOWER FRAMES (K) to the BRACES (G). Tighten four 1-3/16" HEX HEAD SCREWS (12) using the L-WRENCH (8).
- ✚ NOTE: You should start each SCREW a few turns before completely tightening any of them.



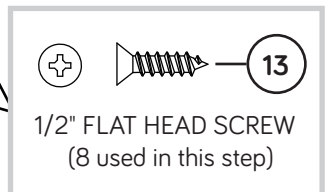
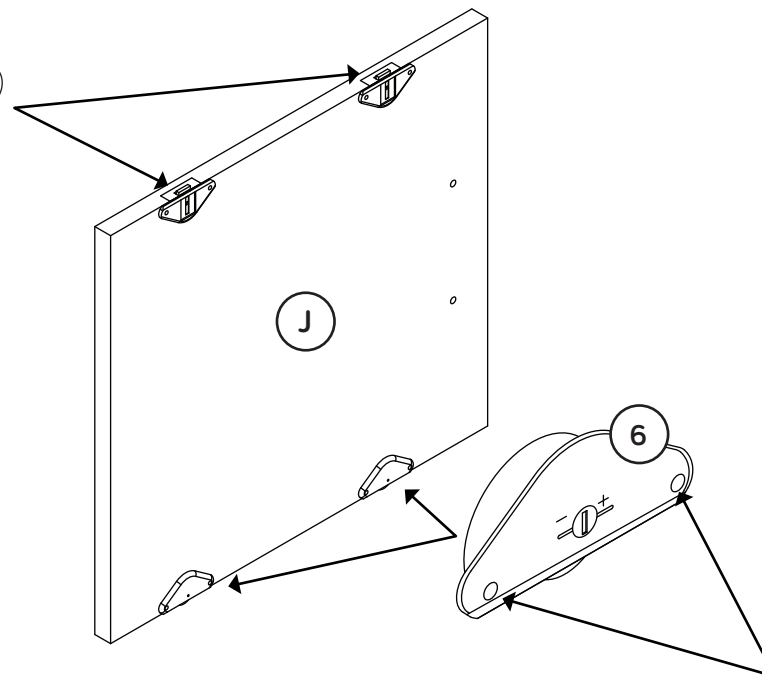
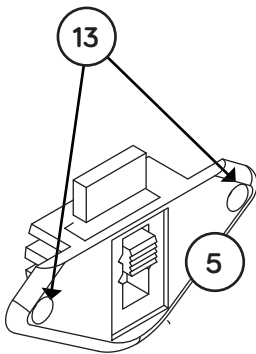
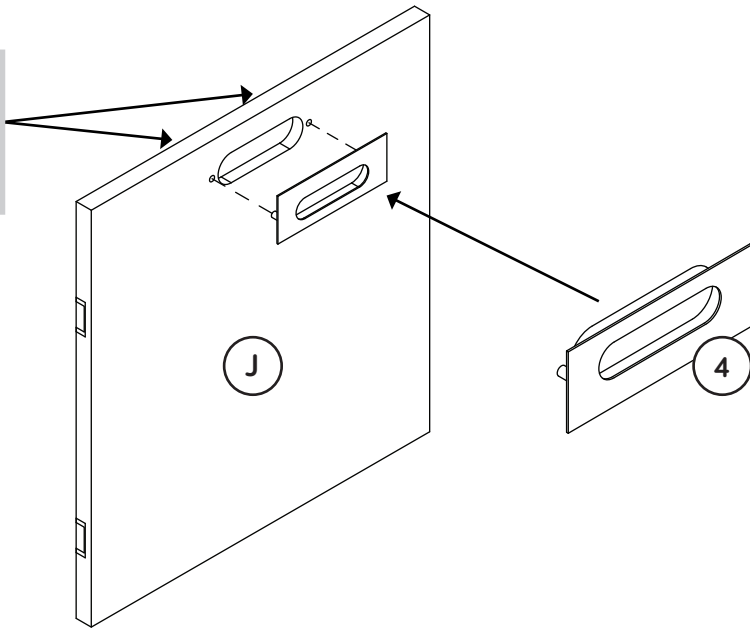
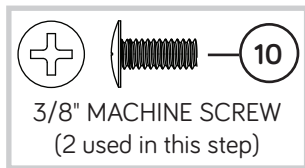
Step 8

- 1st-Carefully stand your unit upright against the wall in its final location. Strike a mark through the center of the hole in the UPPER FRAMES (H). Lay your unit down.
- 2nd-Drill a 5/16" hole on the marks.
- 3rd-While you squeeze the wings together, gently tap two WALL ANCHORS (7) into the holes until they are even with the surface of the wall.
- Stand your unit upright placing the brackets in the UPPER FRAMES (H) over the WALL ANCHORS (7).
- Turn two 2" PAN HEAD SCREWS (16) through the holes in the UPPER FRAMES (H) and into the WALL ANCHORS (7).
- NOTE:** You will need to turn the 2" PAN HEAD SCREWS (16) multiple turns to completely tighten and secure your unit to the wall.



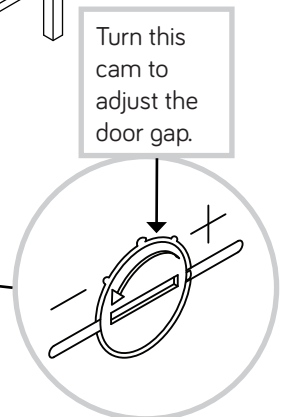
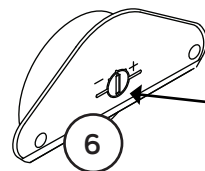
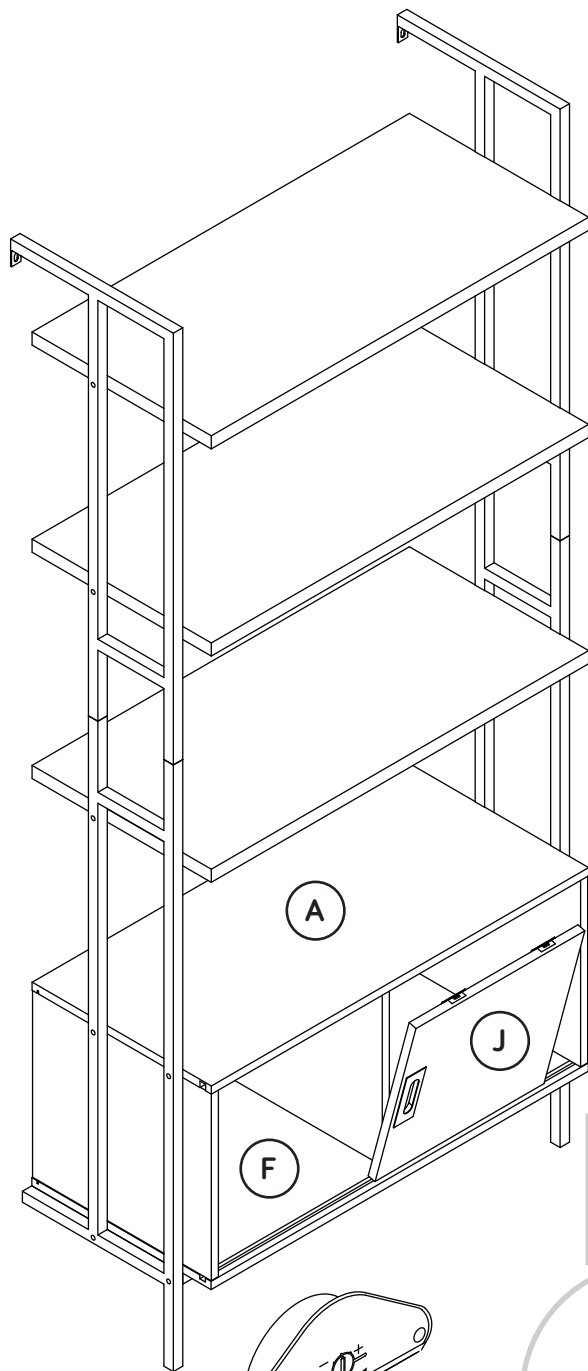
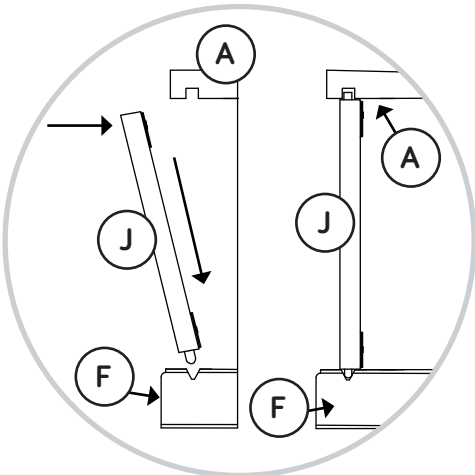
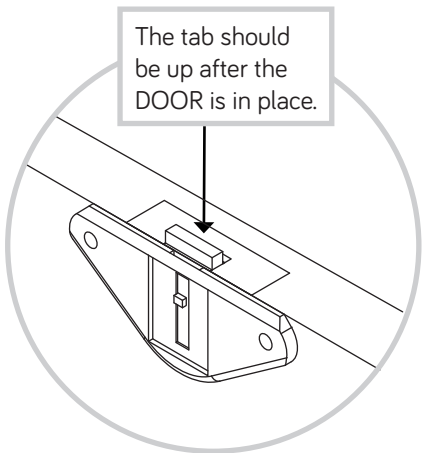
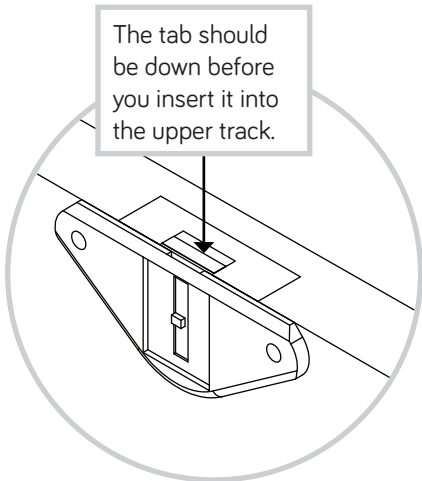
Step 9

- Fasten the PULL (4) to the DOOR (J). Use two 3/8" MACHINE SCREWS (10).
- Fasten the GUIDES (5) to the DOOR (J). Use eight 1/2" FLAT HEAD SCREWS (13).



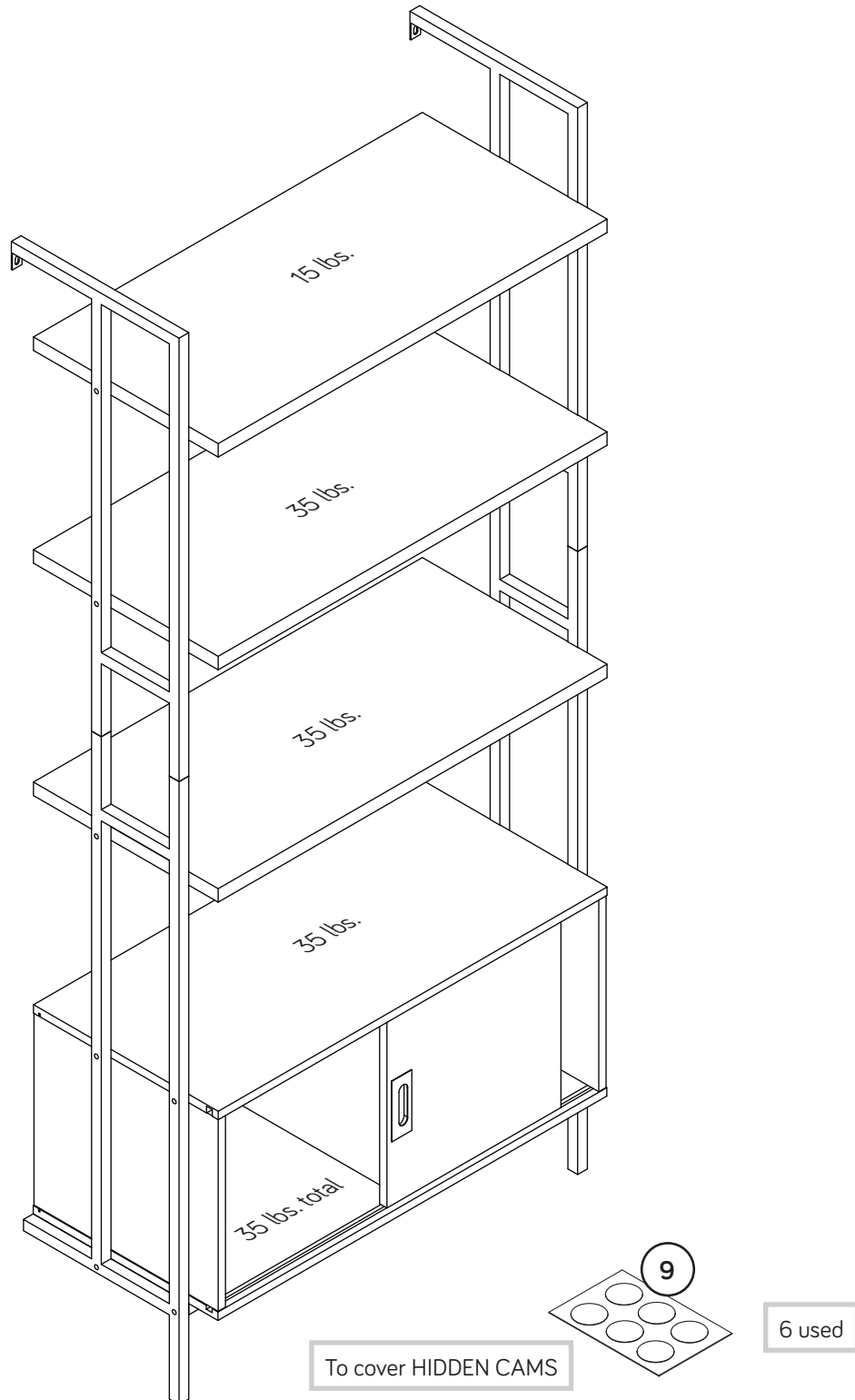
Step 10

- 🔧 **NOTE:** The UPPER GUIDE (5) tabs should be down before starting this step.
- 🔧 Insert the LOWER GUIDES (6) in the DOOR (J) at an angle into the groove in the BOTTOM (F). Then, tilt the DOOR (J) up vertically. Push the UPPER GUIDE (5) tabs up into the groove in the TOP (A).
- 🔧 **NOTE:** The DOOR should slide freely in the track.
- 🔧 **NOTE:** The DOOR gap is adjustable. Turn the cam on the LOWER GUIDES (6) with a STRAIGHT EDGE SCREWDRIVER to adjust the door up or down.



Step 11

- ✦ Peel APPLIQUES from the APPLIQUE CARD (9) and stick them onto each visible HIDDEN CAM.
- ✦ NOTE: Please read the back pages of the instruction booklet for important safety information.
- ✦ This completes assembly. Clean with a damp cloth. Wipe dry.



⚠ WARNING

Please use your furniture correctly and safely. Improper use can cause safety hazards, or damage to your furniture or household items. *Carefully read the following chart.*

| Look out for: | What can happen: | How to avoid the problem: |
|--|---|--|
| <ul style="list-style-type: none">• Overloaded shelves.• Improper loading can cause the product to be top-heavy. | <ul style="list-style-type: none">• Risk of injury.• Top-heavy furniture can tip over.• Overloaded shelves can break. | <ul style="list-style-type: none">• Never exceed the weight limits shown in the instructions.• Work from bottom to top when loading shelves. Place the heavier items on the lower shelves. |
| <ul style="list-style-type: none">• Improperly moving furniture that is not designed and equipped with casters. | <ul style="list-style-type: none">• Furniture can tip over or break if improperly moved.• Physical injury. Furniture can be very heavy. | <ul style="list-style-type: none">• Unload shelves from top to bottom before moving the furniture.• Do not push furniture, especially on a carpeted floor. Have a friend help you lift the item and set it in place.• This unit must be positioned against a wall. |
| <ul style="list-style-type: none">• Children climbing on the shelves can cause the product to tip. | <ul style="list-style-type: none">• Risk of injury or death. | <ul style="list-style-type: none">• Do not allow children to climb on the shelves. Avoid placing items like toys or candy on upper shelves.• Use the supplied tipping restraint kit for added stability. |
| <ul style="list-style-type: none">• Placing TVs on furniture items that are not designed to support a television is hazardous. | <ul style="list-style-type: none">• Risk of injury or death. TVs can be very heavy. Plus the weight and location of the picture tube tends to make TVs unbalanced and prone to tipping forward. | <ul style="list-style-type: none">• This product is not designed to support a television. |