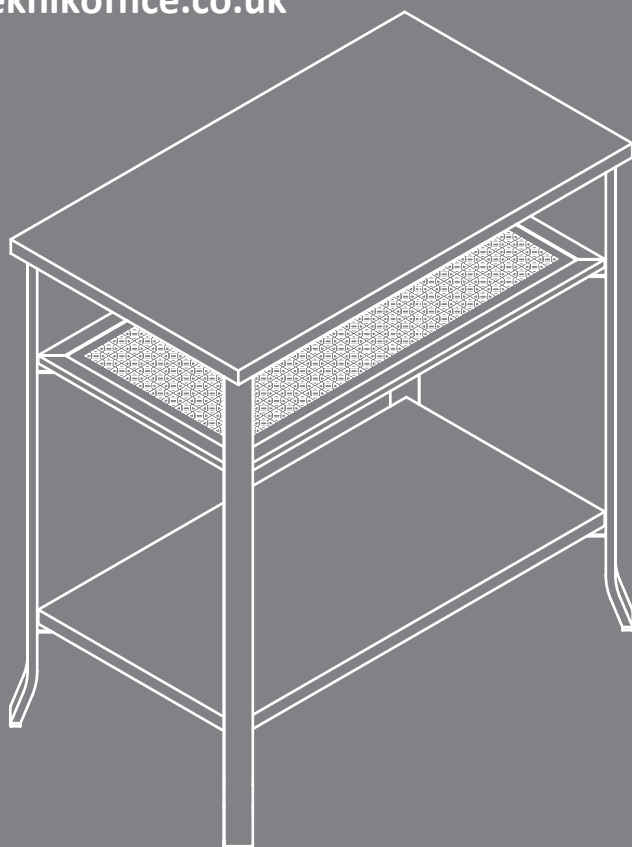


[www.teknikoffice.co.uk](http://www.teknikoffice.co.uk)

**Teknik**



Gets on your couch's  
**good side.**

# Side Table

City Centre Collection | **Model 5425653**

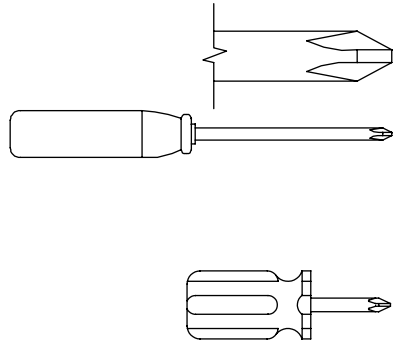
**NOTE:** THIS INSTRUCTION BOOKLET CONTAINS **IMPORTANT** SAFETY INFORMATION.

PLEASE READ AND KEEP FOR FUTURE REFERENCE.

# Table of Contents

# Assembly Tools Required

Part Identification	2
Hardware Identification	2
Assembly Steps	3
Safety	4



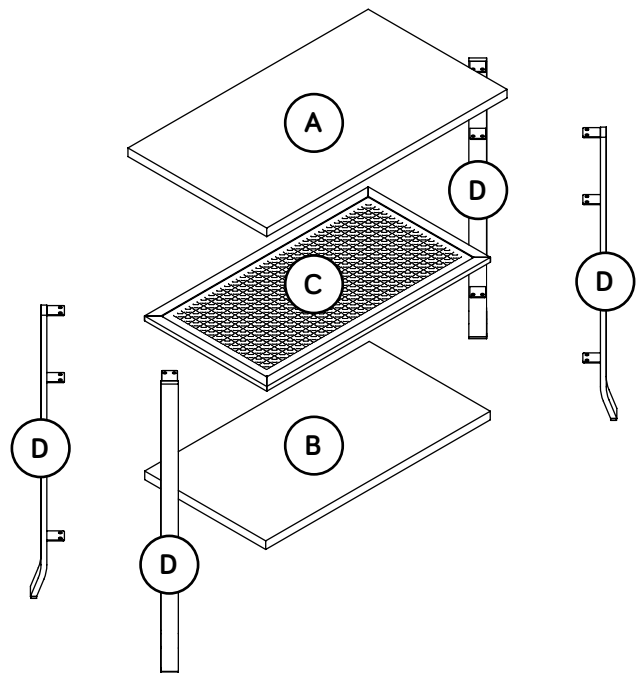
No. 2 Phillips Screwdriver  
Tip Shown Actual Size

Short Screwdriver

## Part Identification

Use this part identification to help identify the parts.

A	TOP (1)
B	BOTTOM (1)
C	SHELF (1)
D	LEG (4)



## Hardware Identification

Screws are shown actual size. You may receive extra hardware with your unit.

1 3/8" PAN HEAD SCREW - 24



# Step 1

✚ Assemble your unit on a carpeted floor or on the empty carton to avoid scratching your unit or the floor.

✚ **NOTE:** Do not completely tighten the SCREWS until the end of this step.

✚ 1<sup>st</sup> - Fasten the LEGS (D) to the TOP (A). Use eight 3/8" PAN HEAD SCREWS (1).

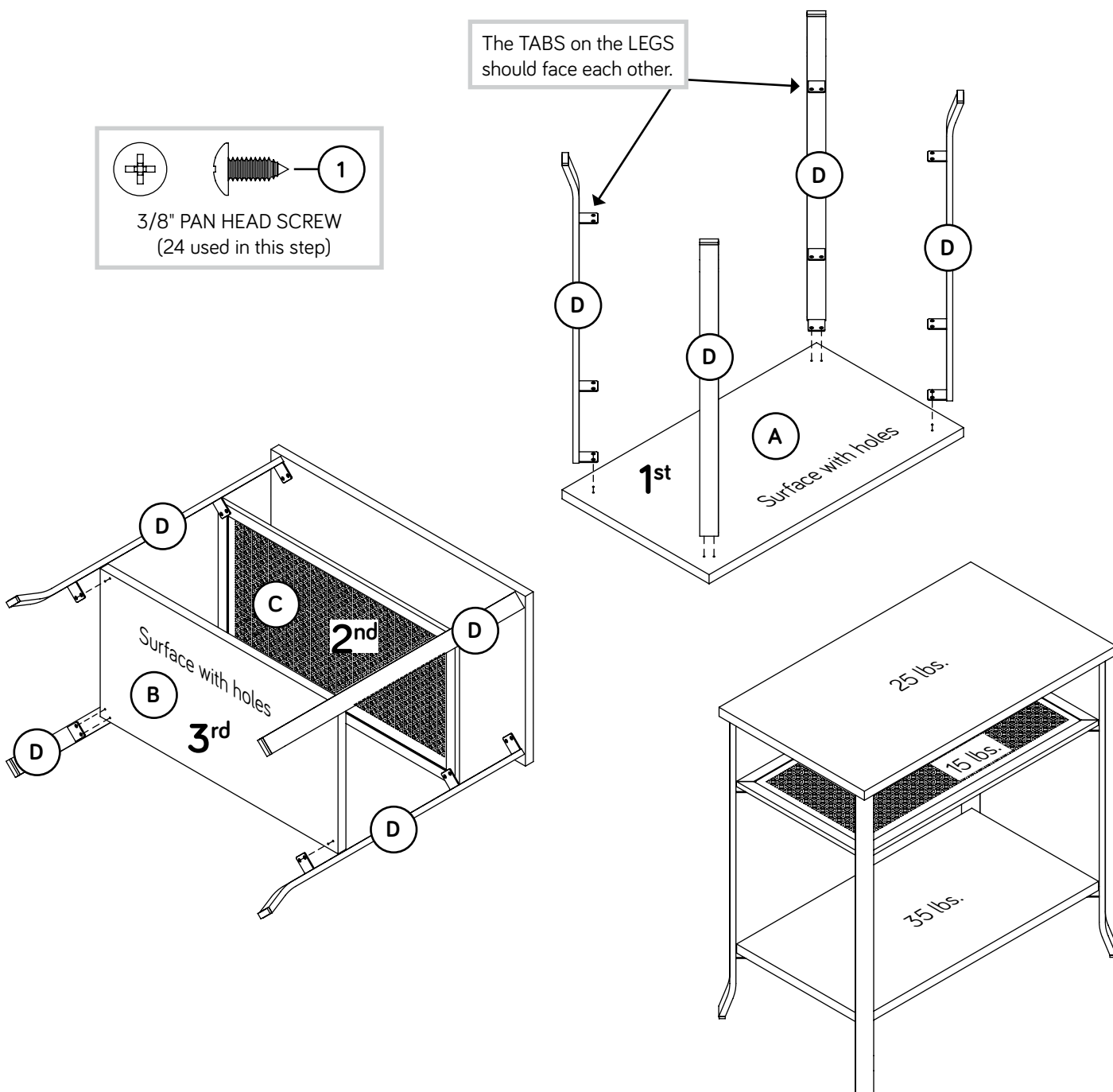
✚ 2<sup>nd</sup> - Fasten the SHELF (C) to the TABS on the LEGS (D). Use eight 3/8" PAN HEAD SCREWS (1).

✚ 3<sup>rd</sup> - Fasten the BOTTOM (B) to the TABS on the LEGS (D). Use eight 3/8" PAN HEAD SCREWS (1).

✚ Completely tighten all of the SCREWS and stand your unit upright.

✚ **NOTE:** Please read the back pages of the instruction booklet for important safety information.

✚ This completes assembly. Clean with a damp cloth. Wipe dry.



**⚠ WARNING**

Please use your furniture correctly and safely. Improper use can cause safety hazards, or damage to your furniture or household items. ***Carefully read the following chart.***

Look out for:	What can happen:	How to avoid the problem:
<ul style="list-style-type: none"><li>• Overloaded shelves.</li></ul>	<ul style="list-style-type: none"><li>• Risk of injury.</li><li>• Top-heavy furniture can tip over.</li><li>• Overloaded shelves can break.</li></ul>	<ul style="list-style-type: none"><li>• Never exceed the weight limits shown in the instructions.</li><li>• Work from bottom to top when loading shelves. Place the heavier items on the lower shelves.</li></ul>
<ul style="list-style-type: none"><li>• Placing TVs on furniture items that are not designed to support a television is hazardous.</li></ul>	<ul style="list-style-type: none"><li>• Risk of injury or death. TVs can be very heavy. Plus the weight and location of the picture tube tends to make TVs unbalanced and prone to tipping forward.</li></ul>	<ul style="list-style-type: none"><li>• This product is not designed to support a television.</li></ul>