

Teknik

www.teknikoffice.co.uk

Deep shelves for
tall tales.

Bookcase with Door

Canyon Lane Collection | **Model 5425303**

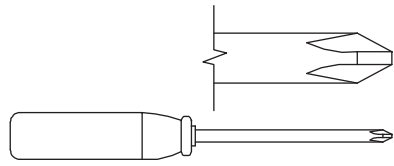
NOTE: THIS INSTRUCTION BOOKLET CONTAINS **IMPORTANT** SAFETY INFORMATION.

PLEASE READ AND KEEP FOR FUTURE REFERENCE.

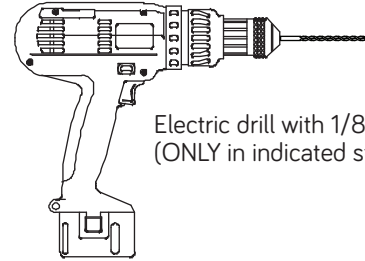
Table of Contents

Assembly Tools Required

Part Identification	3
Hardware Identification	4-5
Assembly Steps	6-18
Safety	19



No. 2 Phillips Screwdriver
Tip Shown Actual Size



Electric drill with 1/8" bit
(ONLY in indicated step)

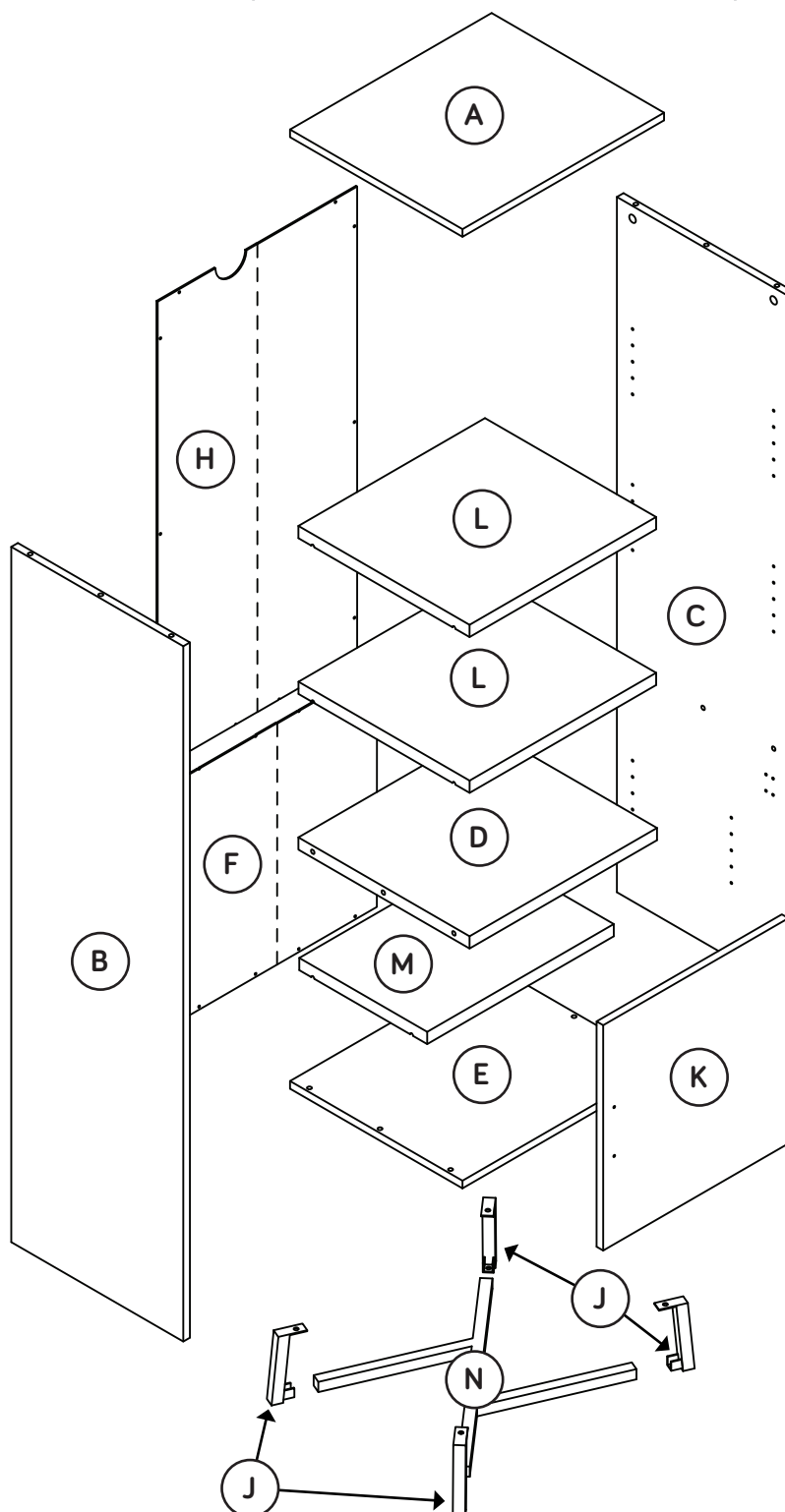
Part Identification

Now you know
our ABCs.



⚠ While not all parts are labeled, some of the parts will have a label or an inked letter on the edge to help distinguish similar parts from each other. Use this part identification to help identify similar parts.

A	TOP (1)	E	BOTTOM (1)	K	DOOR (1)
B	LEFT END (1)	F	SMALL BACK (1)	L	LARGE ADJUSTABLE SHELF (2)
C	RIGHT END (1)	H	LARGE BACK (1)	M	SMALL ADJUSTABLE SHELF (1)
D	FIXED SHELF (1)	J	LEG (4)	N	BASE (1)

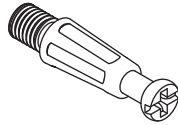


Hardware Identification

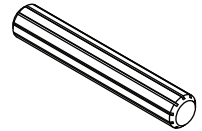
1 HIDDEN CAM - 8



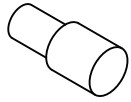
2 CAM SCREW - 8



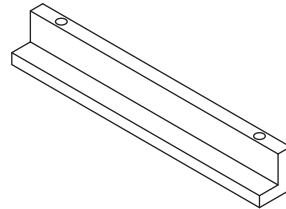
3 WOOD DOWEL - 6



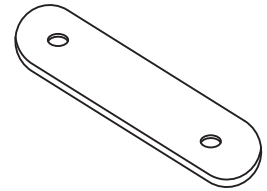
4 SHELF PIN - 12



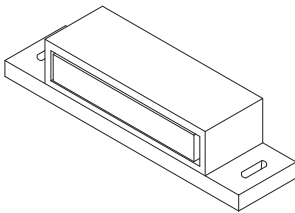
5 PULL - 1



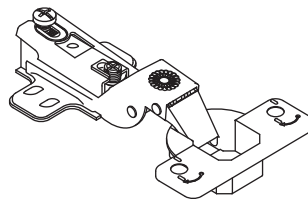
6 STRIKE PLATE - 1



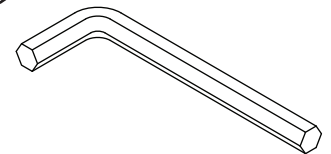
7 MAGNETIC CATCH - 1



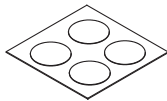
8 HINGE - 2



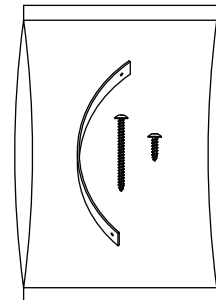
9 L-WRENCH - 1



10 APPLIQUE CARD - 2

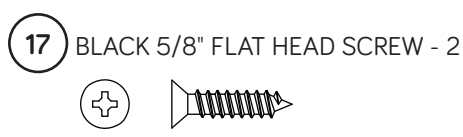
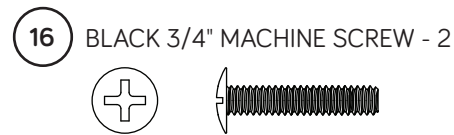
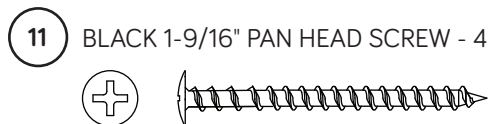


98 FURNITURE TIPPING RESTRAINT KIT - 1



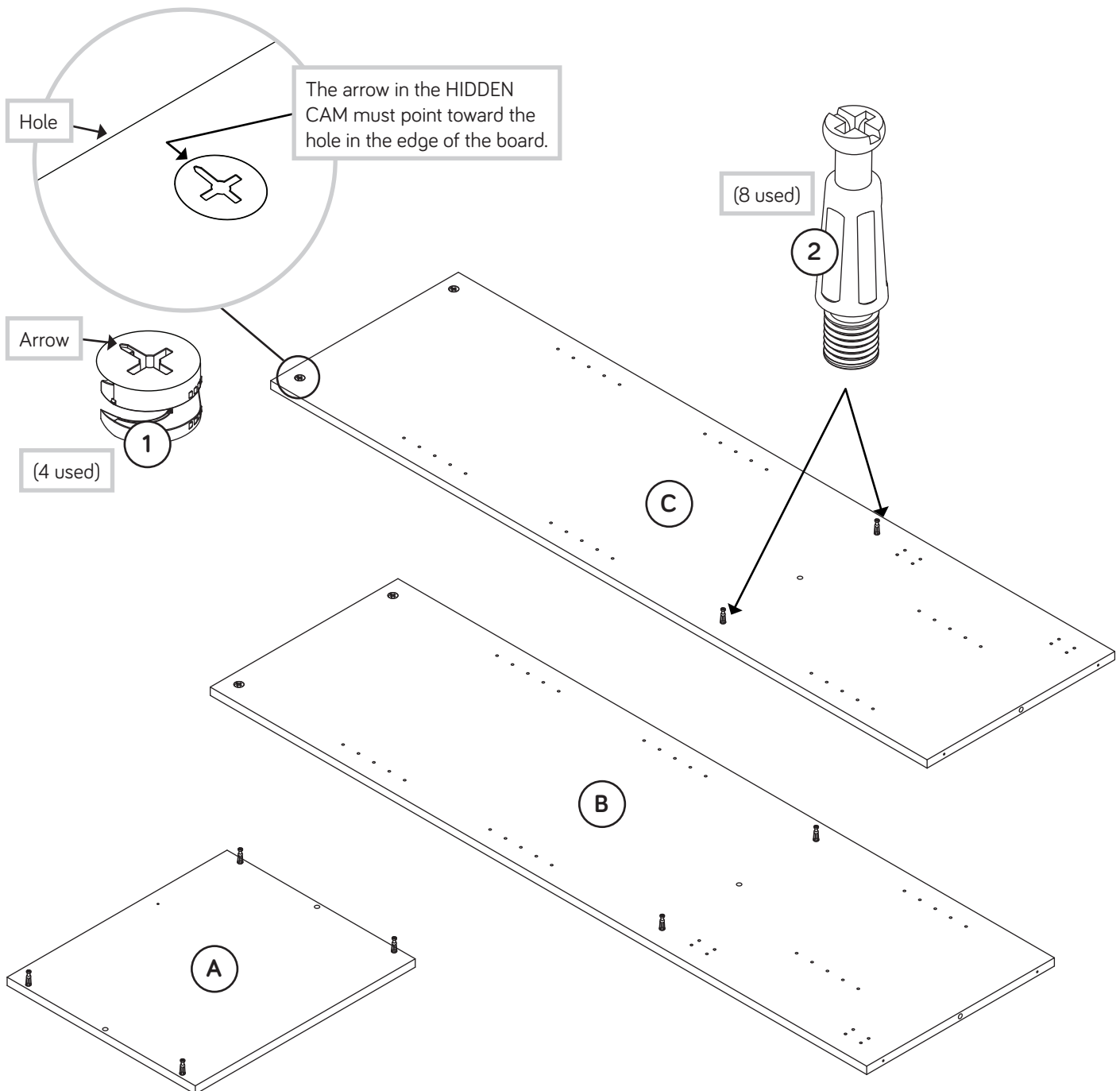
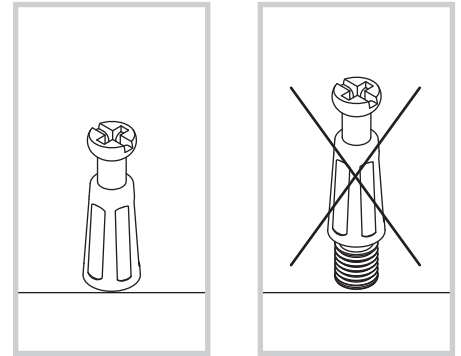
Hardware Identification

† Screws are shown actual size. You may receive extra hardware with your unit.



Step 1

- ✚ Assemble your unit on a carpeted floor or on the empty carton to avoid scratching your unit or the floor.
- ✚ Turn eight CAM SCREWS (2) into the TOP (A), and ENDS (B and C).
- ✚ Push four HIDDEN CAMS (1) into the large holes in the ENDS (B and C).



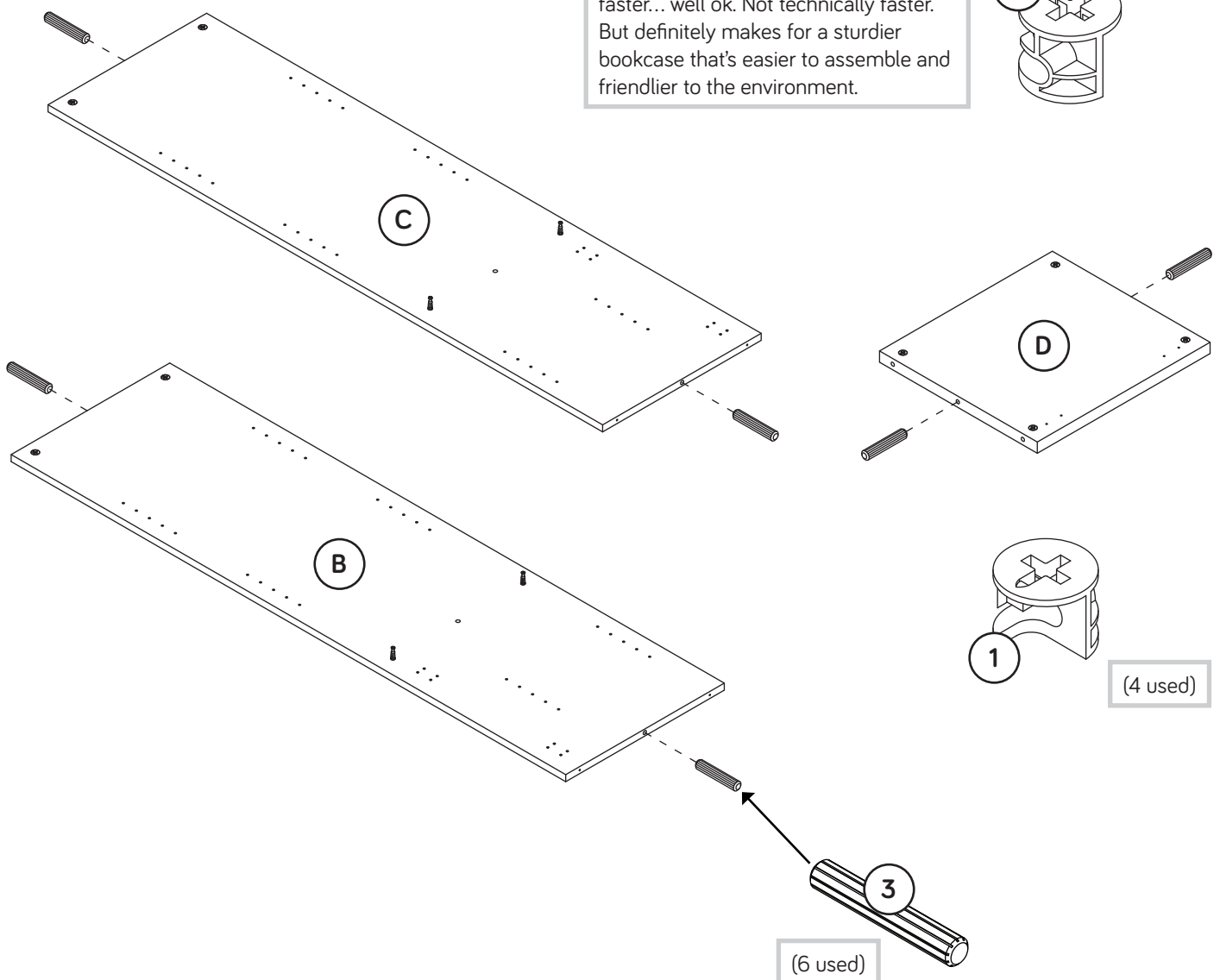
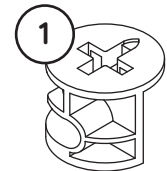
Step 2

- ✚ Push four HIDDEN CAMS (1) into the large holes in the FIXED SHELF (D).
- ✚ Insert six WOOD DOWELS (3) into the ENDS (B and C) and FIXED SHELF (D).



Some assembly
(and snacks) required.

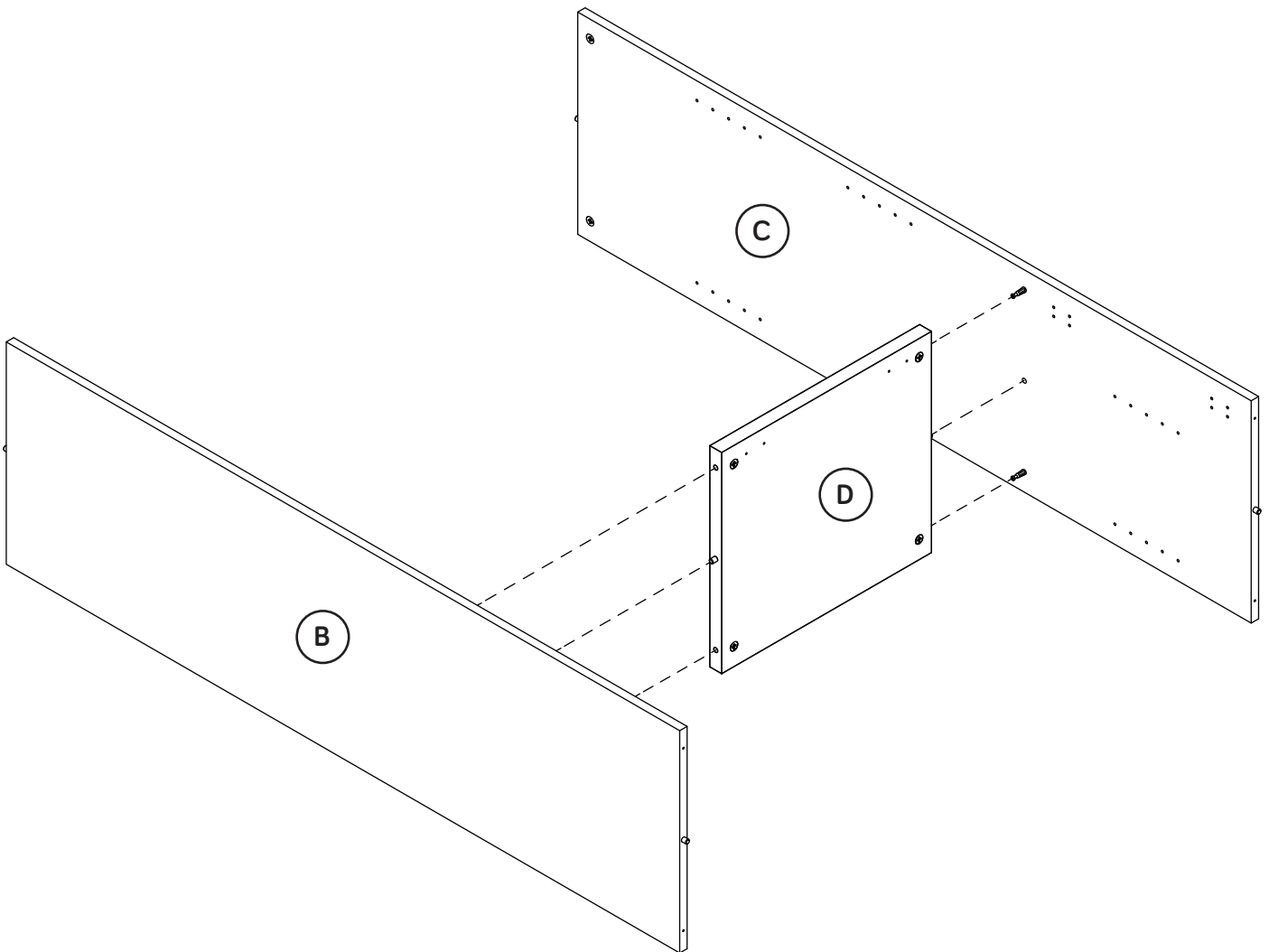
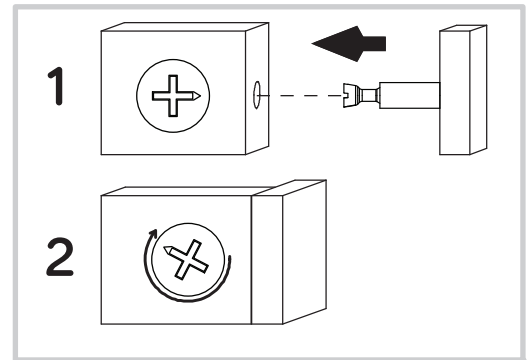
Meet Part (D). This component has been engineered to be lighter, stronger, faster... well ok. Not technically faster. But definitely makes for a sturdier bookcase that's easier to assemble and friendlier to the environment.



Step 3

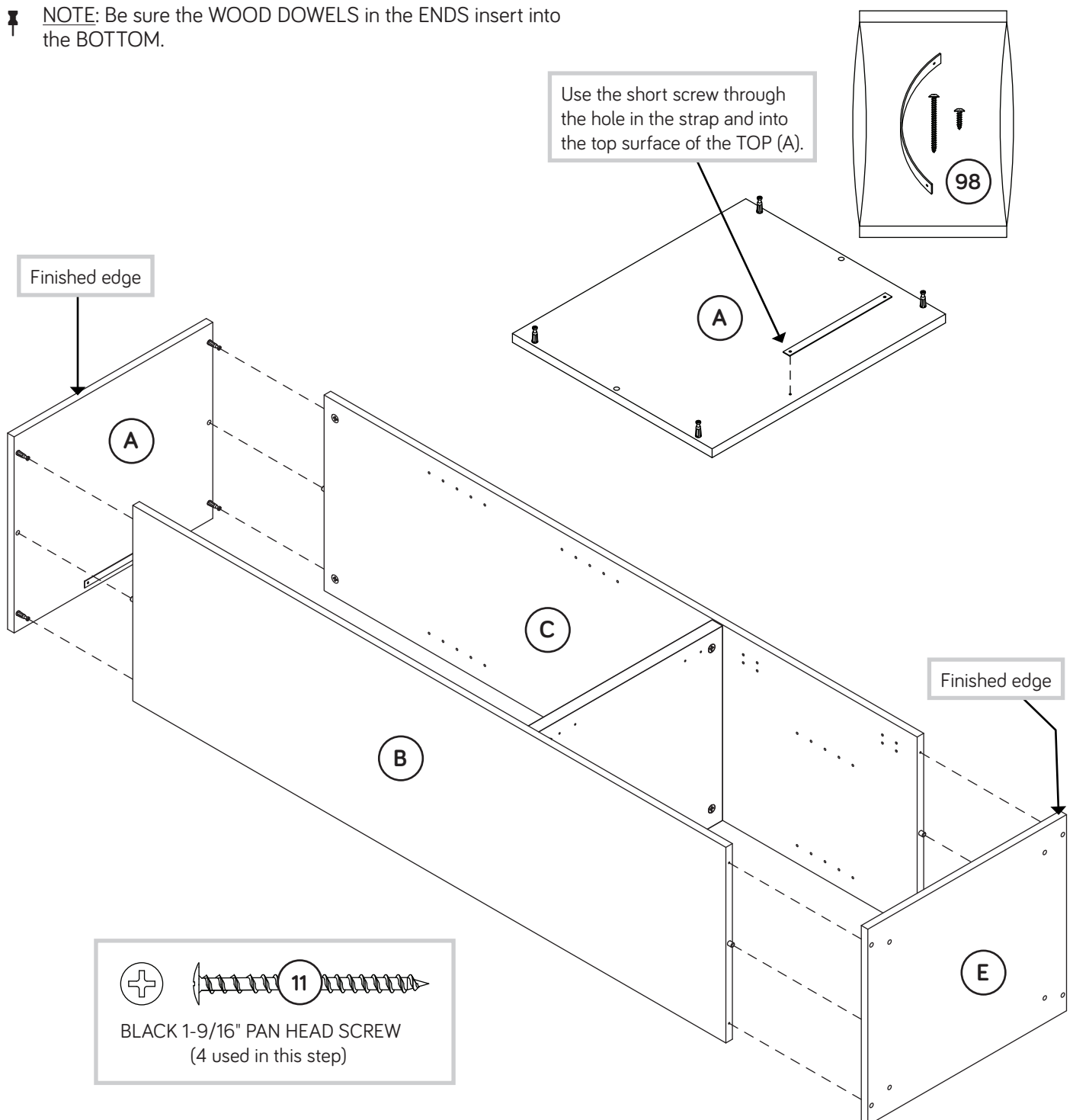
🔩 Fasten the ENDS (B and C) to the FIXED SHELF (D).
Tighten four HIDDEN CAMS.

🔩 NOTE: Be sure the WOOD DOWELS in the FIXED SHELF insert into the ENDS.



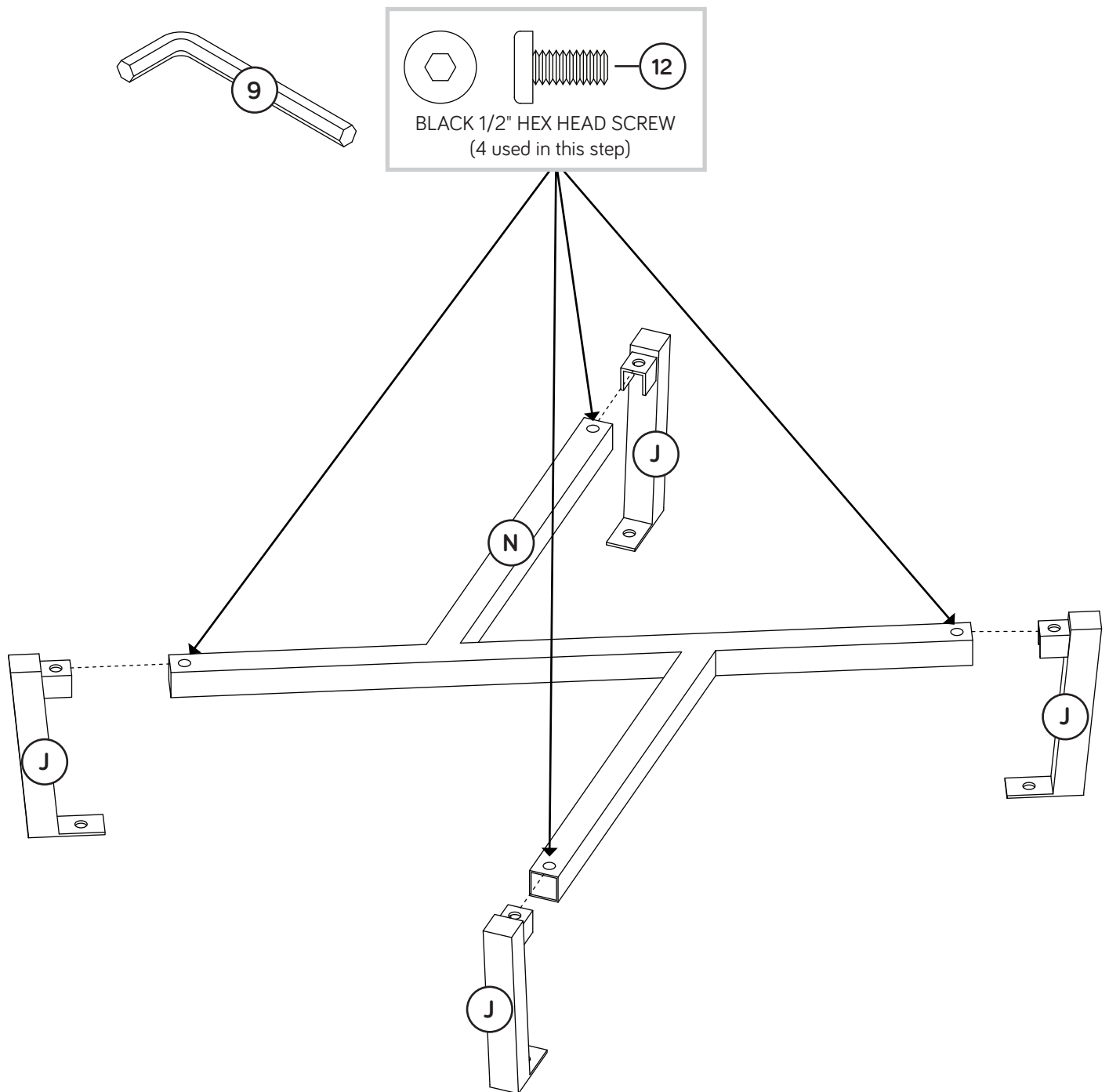
Step 4

- ✚ Open the FURNITURE TIPPING RESTRAINT KIT (98) and fasten the SAFETY STRAP to the TOP (A). Use the provided short screw.
- ✚ Fasten the TOP (A) to the ENDS (B and C). Tighten four HIDDEN CAMS.
- ✚ **NOTE:** Be sure the WOOD DOWELS in the ENDS insert into the TOP.
- ✚ Fasten the BOTTOM (E) to the ENDS (B and C). Use four BLACK 1-9/16" PAN HEAD SCREWS (11).
- ✚ **NOTE:** Be sure the WOOD DOWELS in the ENDS insert into the BOTTOM.



Step 5

- Fasten the LEGS (J) to the BASE (N). Tighten four BLACK 1/2" HEX HEAD SCREWS (12) using the L-WRENCH (9).

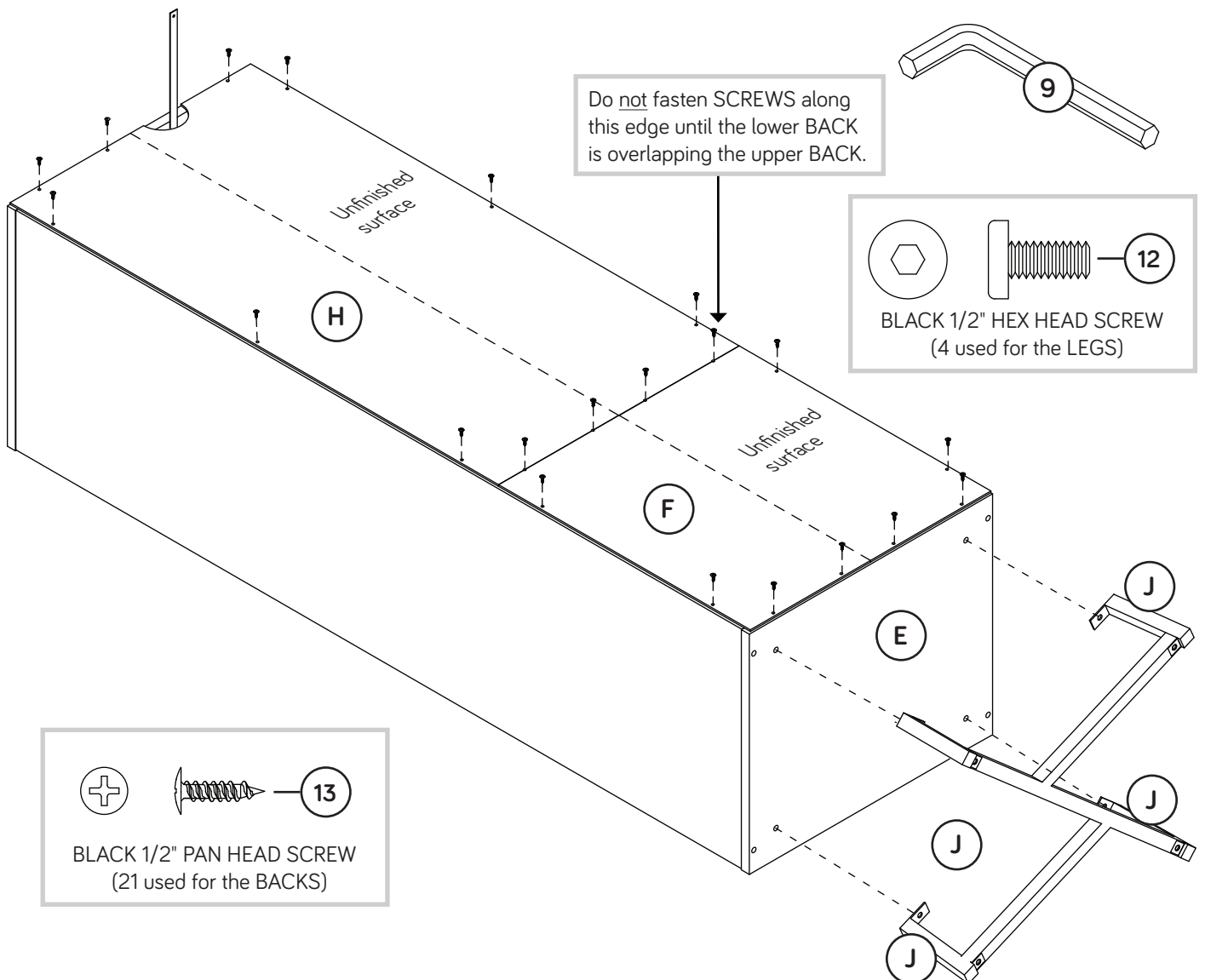


Step 6

- ✚ Carefully turn your unit over onto its front edges.
- ✚ Unfold the LARGE BACK (H) and lay it over your unit.
- ✚ Make equal margins along all four edges of the LARGE BACK (H). Push on opposite corners of your unit if needed to make it "square".
- ✚ Fasten the upper BACK (H) to three edges of your unit using nine BLACK 1/2" PAN HEAD SCREWS (13).
- ✚ Unfold the SMALL BACK (F) and lay it over your unit.
- ✚ Make equal margins along all four edges of the SMALL BACK (F). Push on opposite corners of your unit if needed to make it "square".
- ✚ Fasten the SMALL BACK (F) to your unit using twelve BLACK 1/2" PAN HEAD SCREWS (13).
- ✚ Fasten the LEGS (J) to the BOTTOM (E). Tighten four BLACK 1/2" HEX HEAD SCREWS (12) using the L-WRENCH (9).



Do not stand the unit upright without the BACK fastened. The unit may collapse.

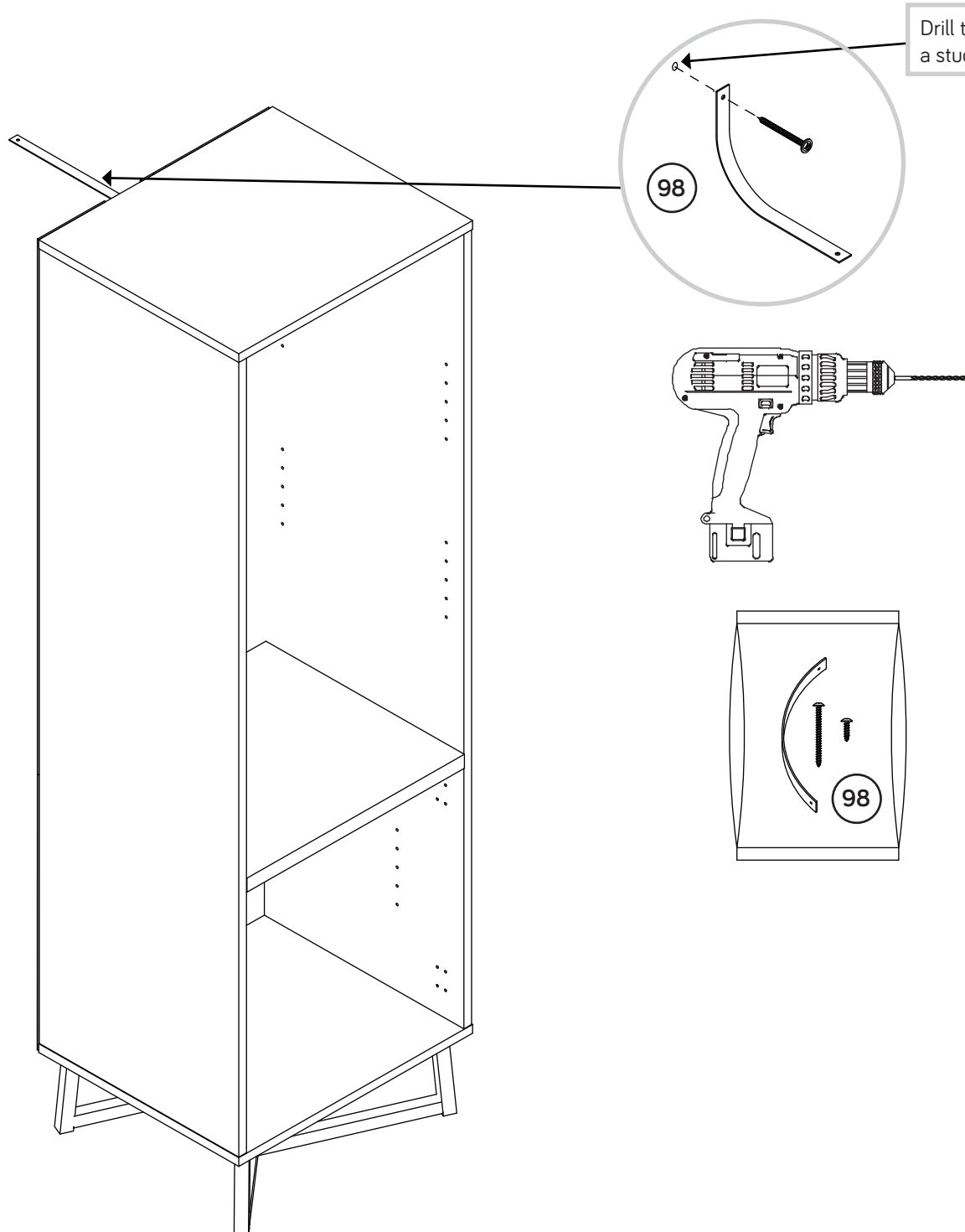


Step 7

- ✚ Carefully stand your unit upright.
- ✚ Place your unit in its final location against a wall. Locate the center of a stud in your wall near your unit and mark it with a pencil. Next, drill a 1/8" hole on the mark and into the stud in your wall.
- ✚ Fasten the unit to the wall. Use the long screw through the other end of the strap and into the 1/8" hole.



Now might be a good time to refresh your drink.



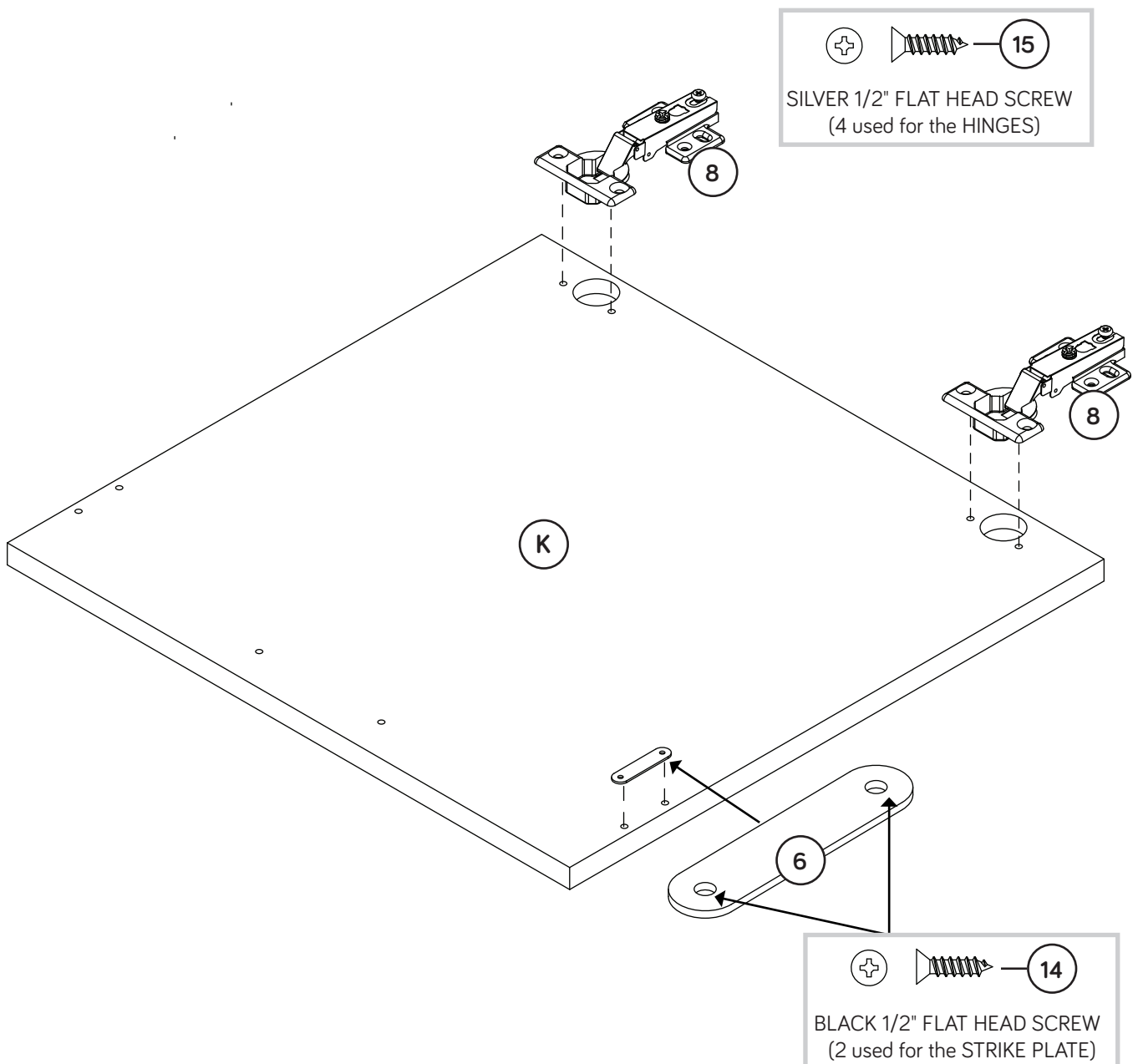
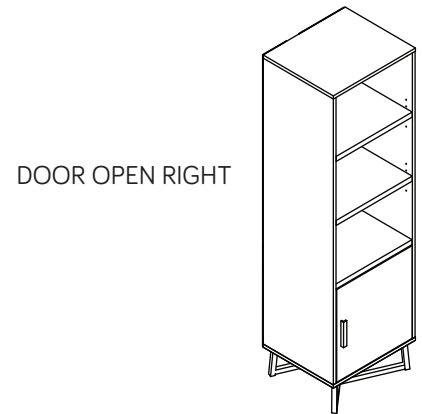
Step 8

✚ This unit has the option of the door opening to the left or right. This step will show you how to open the DOOR to the right. The next two steps will show you how to open the DOOR to the LEFT.

✚ Fasten two HINGES (8) to the DOOR (K). Use four SILVER 1/2" FLAT HEAD SCREWS (15).

✚ Fasten the STRIKE PLATE (6) to the DOOR (K). Use two BLACK 1/2" FLAT HEAD SCREWS (14).

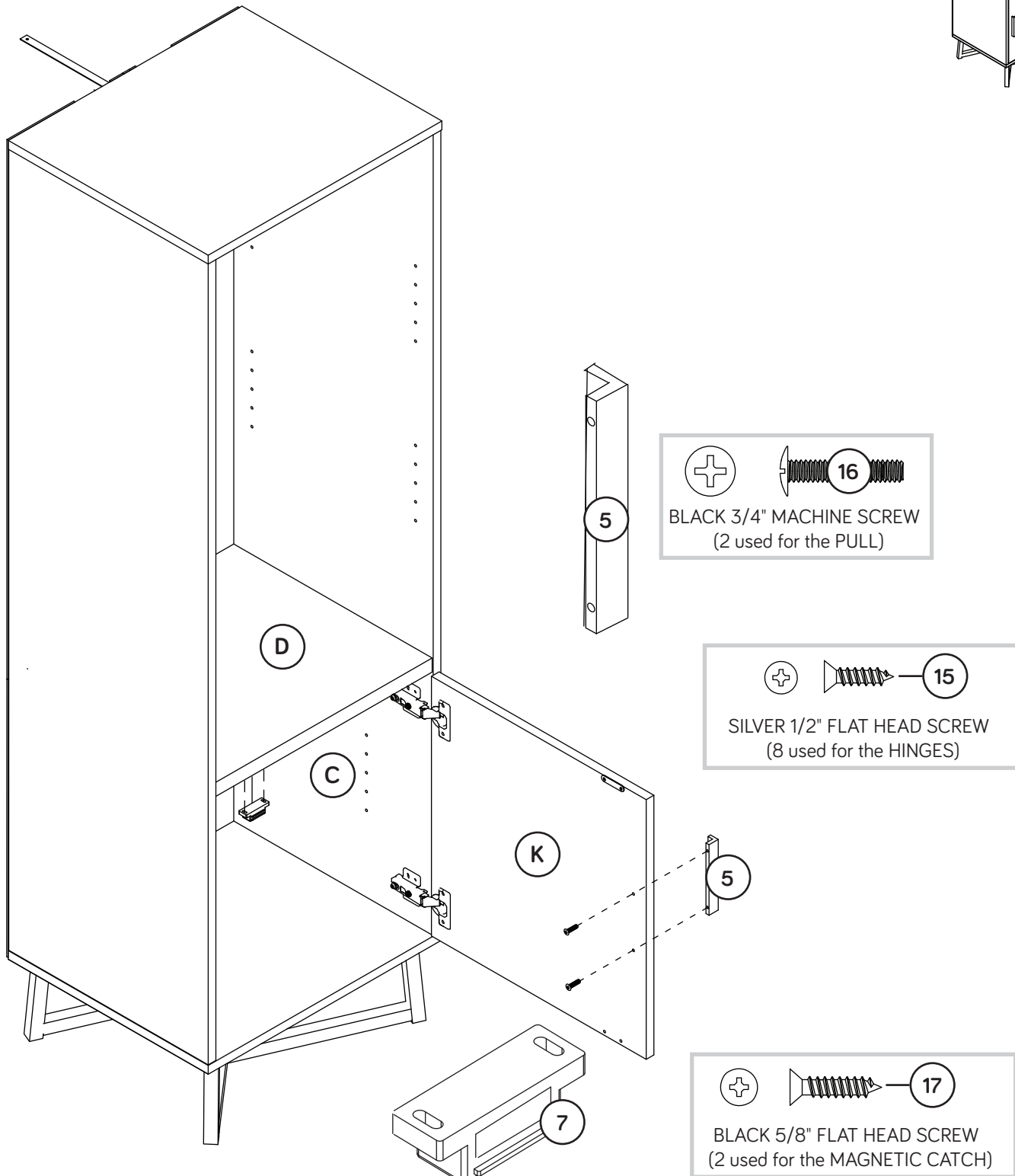
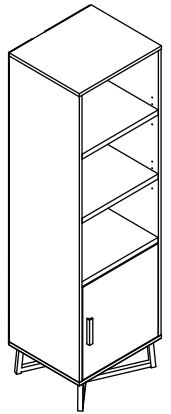
✚ NOTE: Be sure to position the STRIKE PLATE exactly as shown.



Step 9

- Fasten the DOOR (K) to the RIGHT END (C). Use eight SILVER 1/2" FLAT HEAD SCREWS (15).
- Fasten the PULL (5) to the DOOR (K). Use two BLACK 3/4" MACHINE SCREWS (16).
- Fasten the MAGNETIC CATCH (7) to the FIXED SHELF (D). Use two BLACK 5/8" FLAT HEAD SCREWS (17).

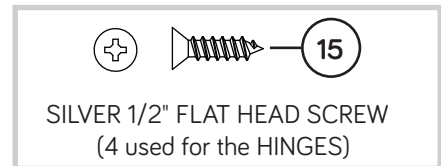
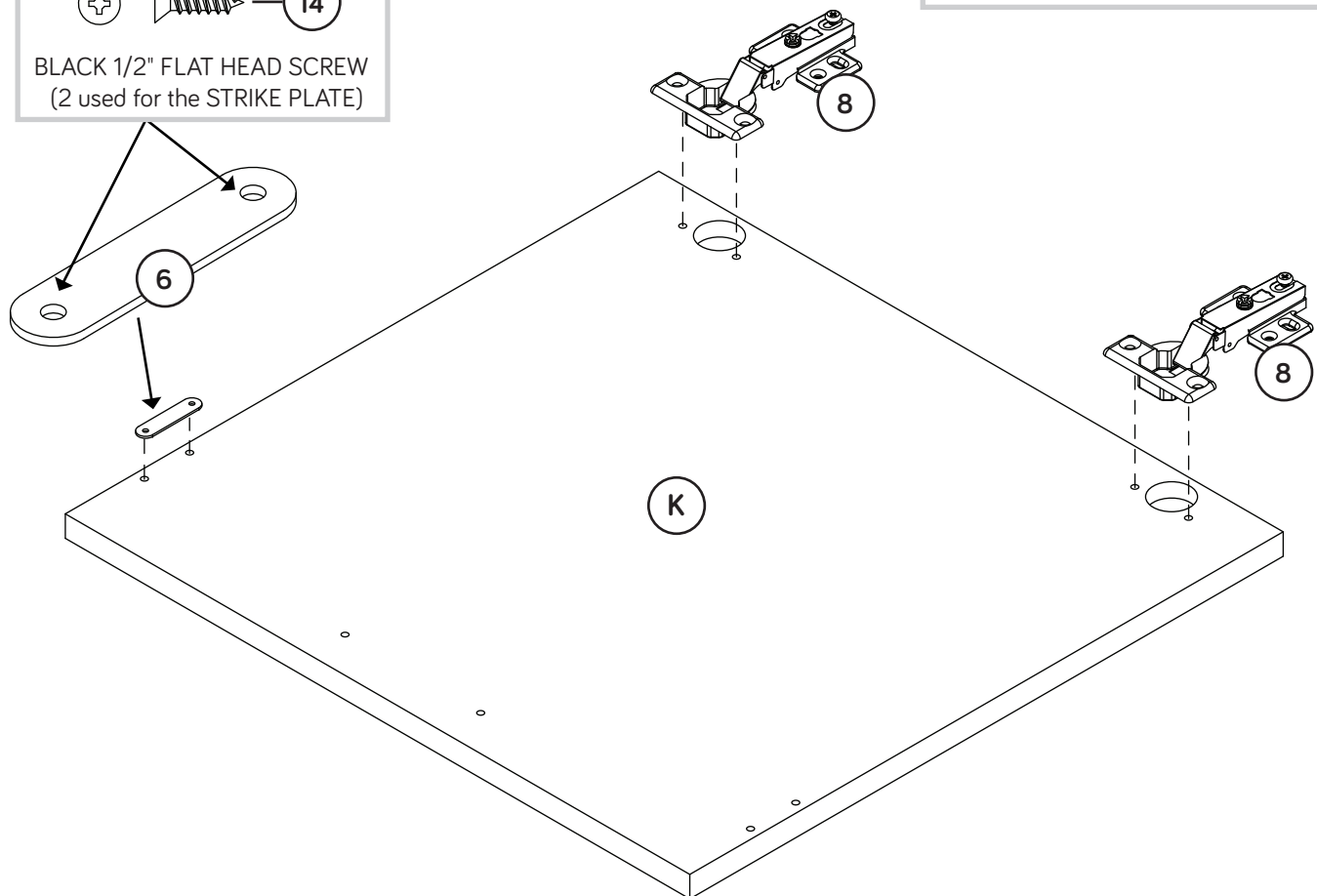
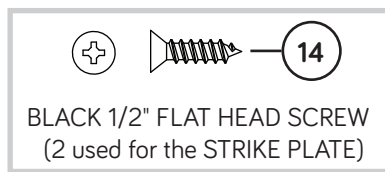
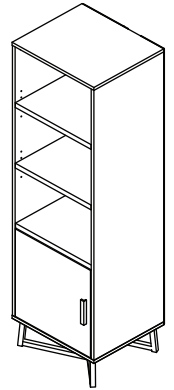
DOOR OPEN RIGHT



Step 10

- ✚ The following two steps will show you how to assemble the door to open left.
- ✚ Fasten two HINGES (8) to the DOOR (K). Use four SILVER 1/2" FLAT HEAD SCREWS (15).
- ✚ Fasten the STRIKE PLATE (6) to the DOOR (K). Use two BLACK 1/2" FLAT HEAD SCREWS (14).
- ✚ NOTE: Be sure to position the STRIKE PLATE exactly as shown.

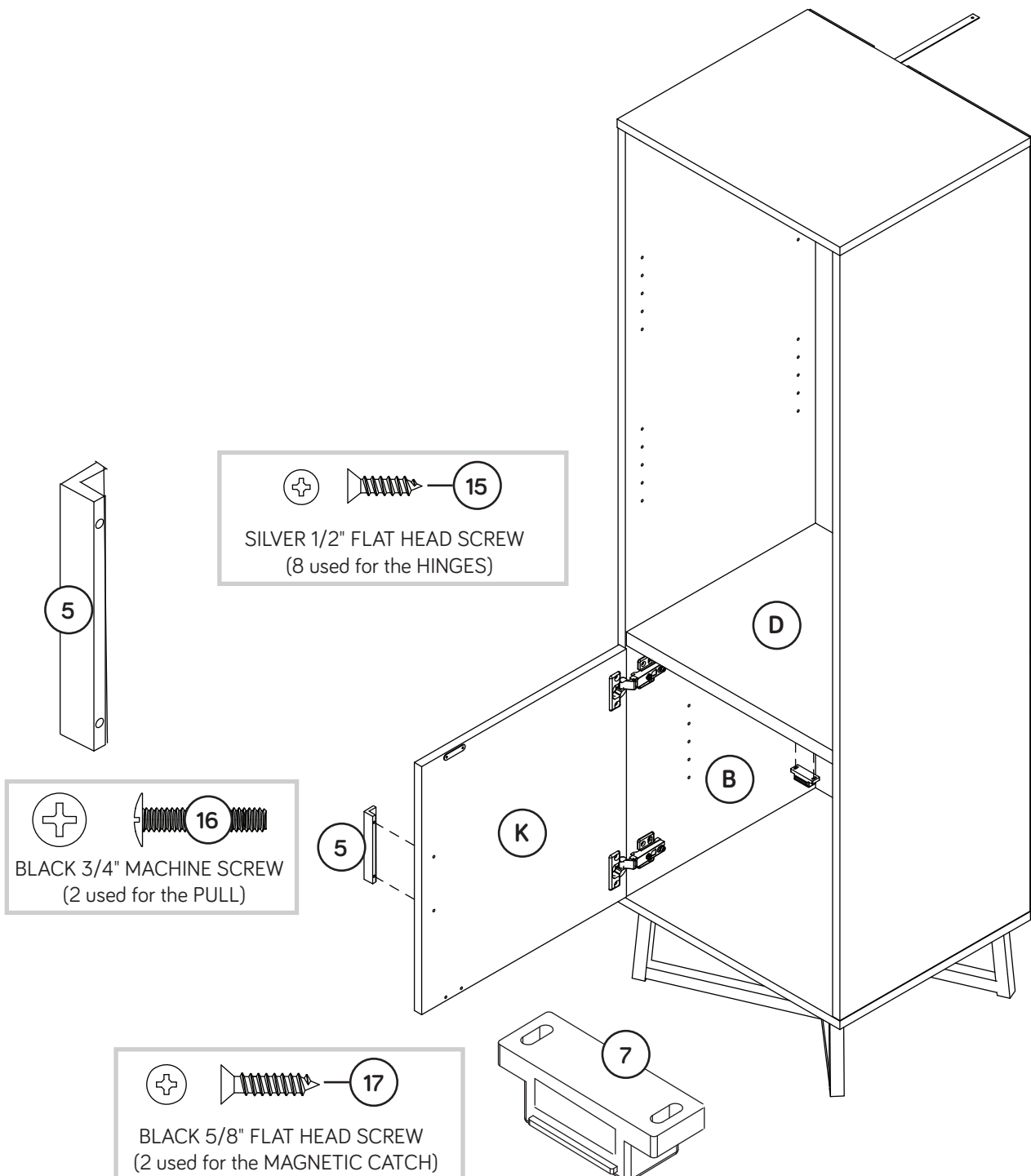
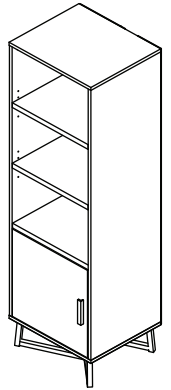
DOOR OPEN LEFT



Step 11

- Fasten the DOOR (K) to the LEFT END (B). Use eight SILVER 1/2" FLAT HEAD SCREWS (15).
- Fasten the PULL (5) to the DOOR (K). Use two BLACK 3/4" MACHINE SCREWS (16).
- Fasten the MAGNETIC CATCH (7) to the FIXED SHELF (D). Use two BLACK 5/8" FLAT HEAD SCREWS (17).

DOOR OPEN LEFT

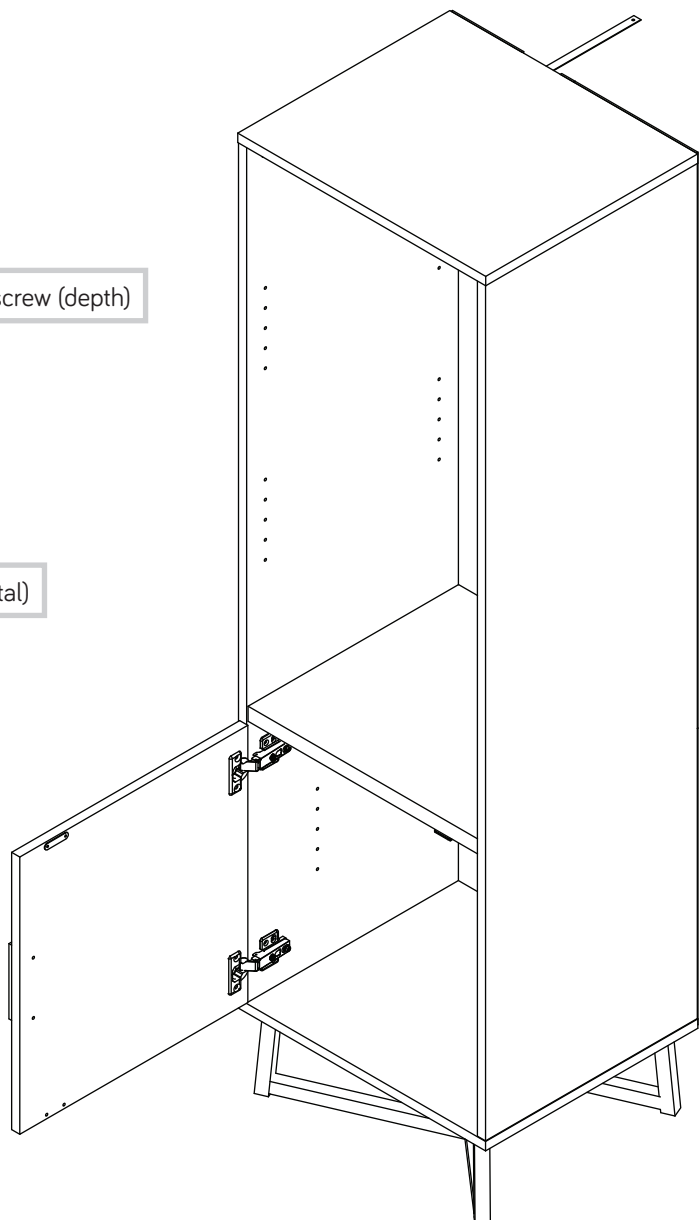
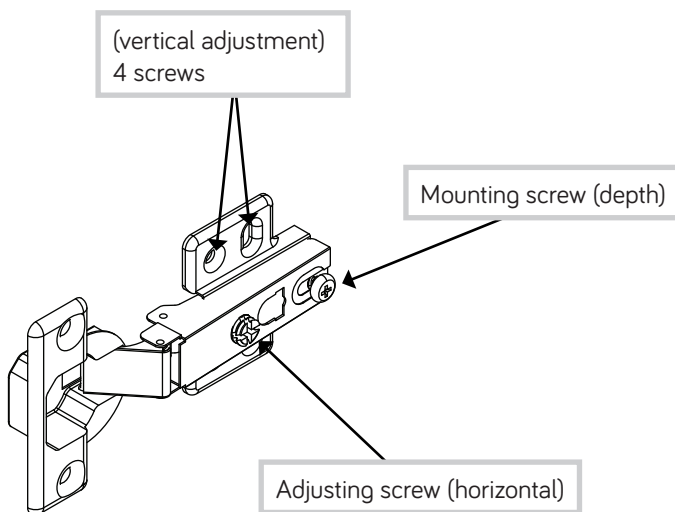


Step 12

- ✚ Refer to the enlarged diagram to identify the parts on the HINGES.
- ✚ The DOORS may need some adjustments. Follow the text below to make needed adjustments.
- ✚ DOOR ADJUSTMENTS:
 - To adjust the DOORS from side to side (horizontal), turn the adjusting screw in or out.
 - To adjust the DOORS up and down (vertical), remove the round hole screws and loosen the slotted hole screws. Move the DOORS up or down to the desired location. Tighten the slotted hole screws first. Then turn the round holes screws into their holes.
 - To adjust the DOORS in or out (depth), loosen the mounting screw one turn and move the DOORS in or out, as needed. Tighten the mounting screw after making adjustments.

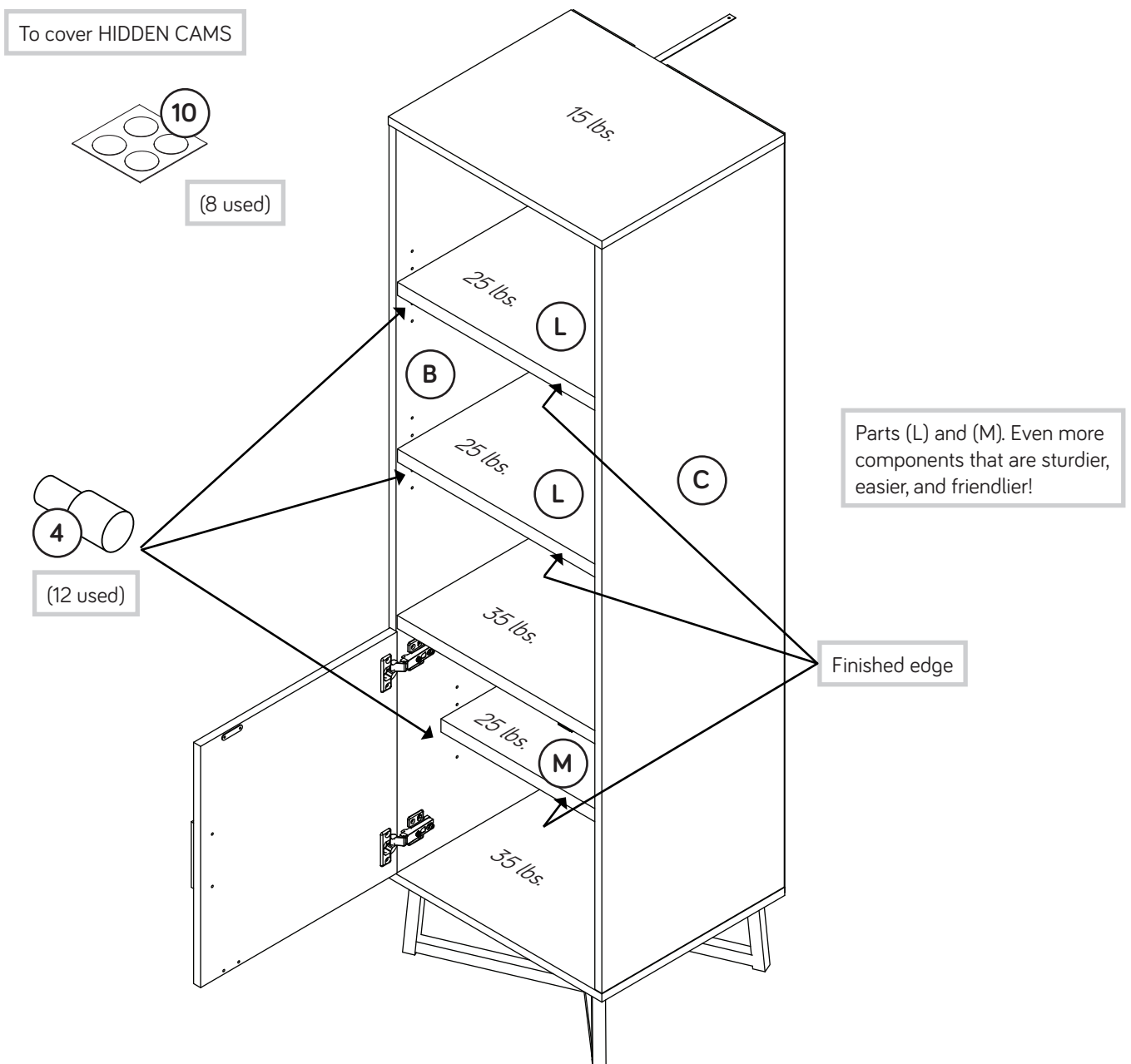


If you're doing this to help a friend, don't leave without a bite.



Step 13

- ✚ Insert the SHELF PINS (4) into the hole locations of your choice in the ENDS (B and C). Set the ADJUSTABLE SHELVES (L and M) onto the SHELF PINS.
- ✚ Peel APPLIQUES from the APPLIQUE CARD (10) and stick them onto each visible HIDDEN CAM
- ✚ NOTE: Please read the back pages of the instruction booklet for important safety information.
- ✚ This completes assembly. Clean with a damp cloth. Wipe dry.



⚠ WARNING

Please use your furniture correctly and safely. Improper use can cause safety hazards, or damage to your furniture or household items. ***Carefully read the following chart.***

Look out for:	What can happen:	How to avoid the problem:
<ul style="list-style-type: none">• Overloaded shelves.• Improper loading can cause the product to be top-heavy.	<ul style="list-style-type: none">• Risk of injury.• Top-heavy furniture can tip over.• Overloaded shelves can break.	<ul style="list-style-type: none">• Never exceed the weight limits shown in the instructions.• Work from bottom to top when loading shelves. Place the heavier items on the lower shelves.
<ul style="list-style-type: none">• Improperly moving furniture that is not designed and equipped with casters.	<ul style="list-style-type: none">• Furniture can tip over or break if improperly moved.• Physical injury. Furniture can be very heavy.	<ul style="list-style-type: none">• Unload shelves from top to bottom before moving the furniture.• Do not push furniture, especially on a carpeted floor. Have a friend help you lift the item and set it in place.• This unit must be positioned against a wall.
<ul style="list-style-type: none">• Children climbing on the shelves can cause the product to tip.	<ul style="list-style-type: none">• Risk of injury or death.	<ul style="list-style-type: none">• Do not allow children to climb on the shelves. Avoid placing items like toys or candy on upper shelves.• Use the supplied tipping restraint kit for added stability.
<ul style="list-style-type: none">• Placing TVs on furniture items that are not designed to support a television is hazardous.	<ul style="list-style-type: none">• Risk of injury or death. TVs can be very heavy. Plus the weight and location of the picture tube tends to make TVs unbalanced and prone to tipping forward.	<ul style="list-style-type: none">• This product is not designed to support a television.