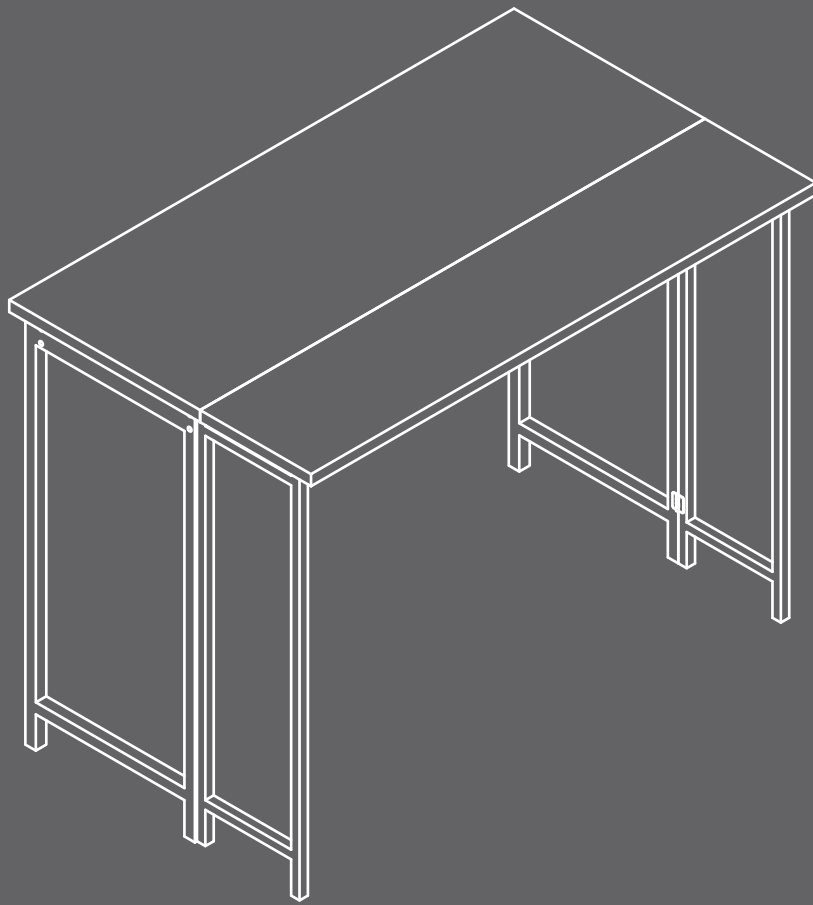


[www.teknikoffice.co.uk](http://www.teknikoffice.co.uk)

**Teknik**

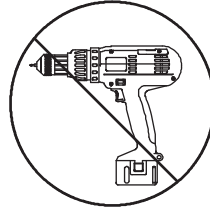


Great for **keys, mail**  
— oh, and you can  
**eat** on it, too.

## Industrial Style High Work Table Drop Leaf

Model 5424943

Hardware Identification	2
Part Identification	3
Assembly Steps	4-6
Français	7
Español	8
Safety	9-10
Warranty	11

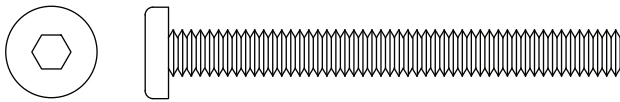


Skip the power trip.  
This time.

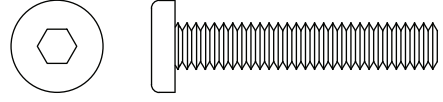
## Hardware Identification

† Screws are shown actual size. You may receive extra hardware with your unit.

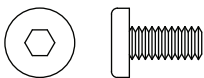
1 BLACK 2-3/8" HEX HEAD SCREW - 6



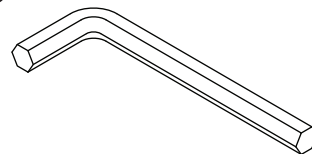
2 1-3/8" HEX HEAD SCREW - 8



3 BLACK 3/8" HEX HEAD SCREW - 8



4 L-WRENCH - 1



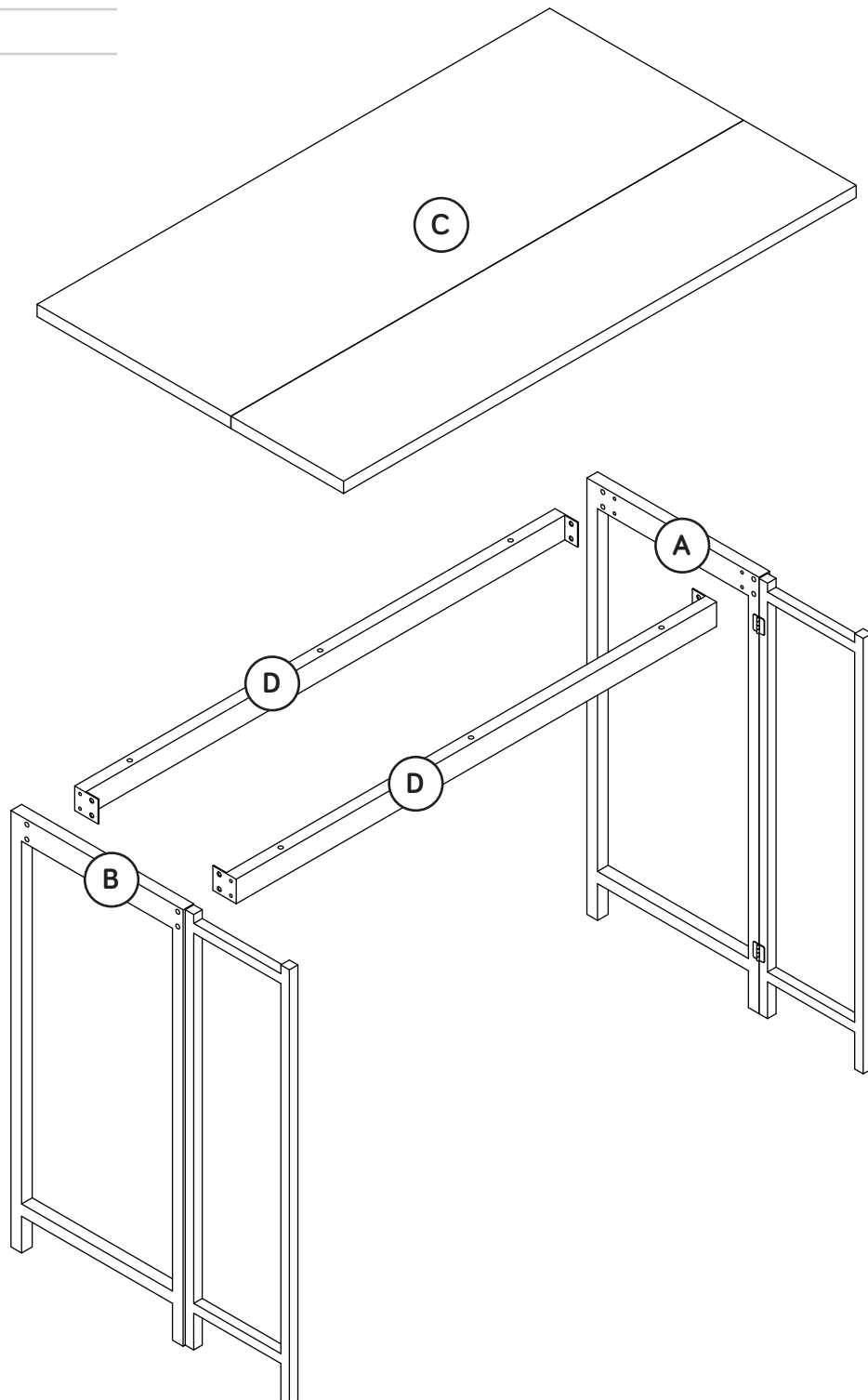
# Part Identification

Now you know  
our ABCs.



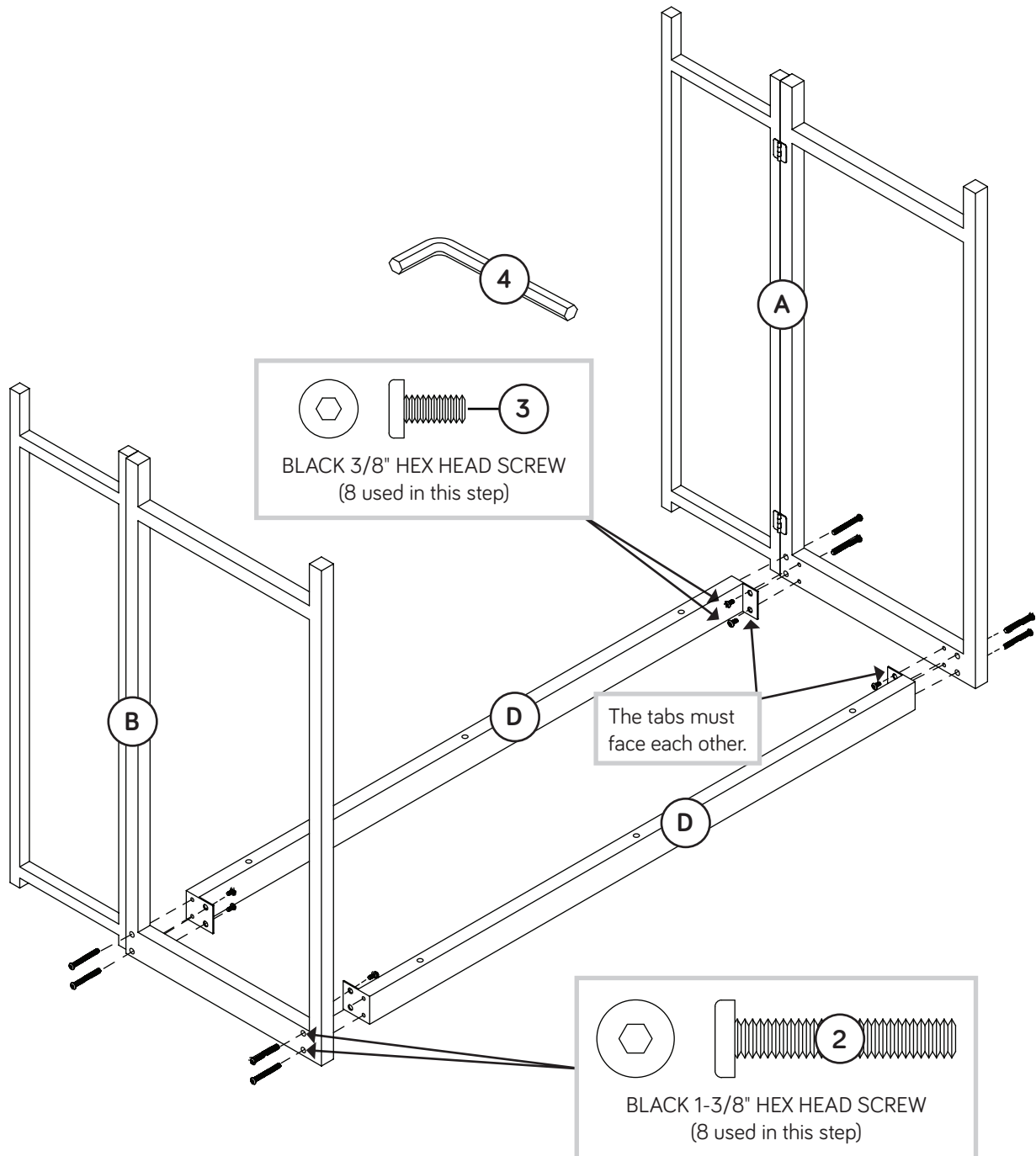
† While not all parts are labeled, some of the parts will have a label or an inked letter on the edge to help distinguish similar parts from each other. Use this part identification to help identify similar parts.

A	RIGHT END (1)
B	LEFT END (1)
C	TOP (1)
D	BRACE (2)



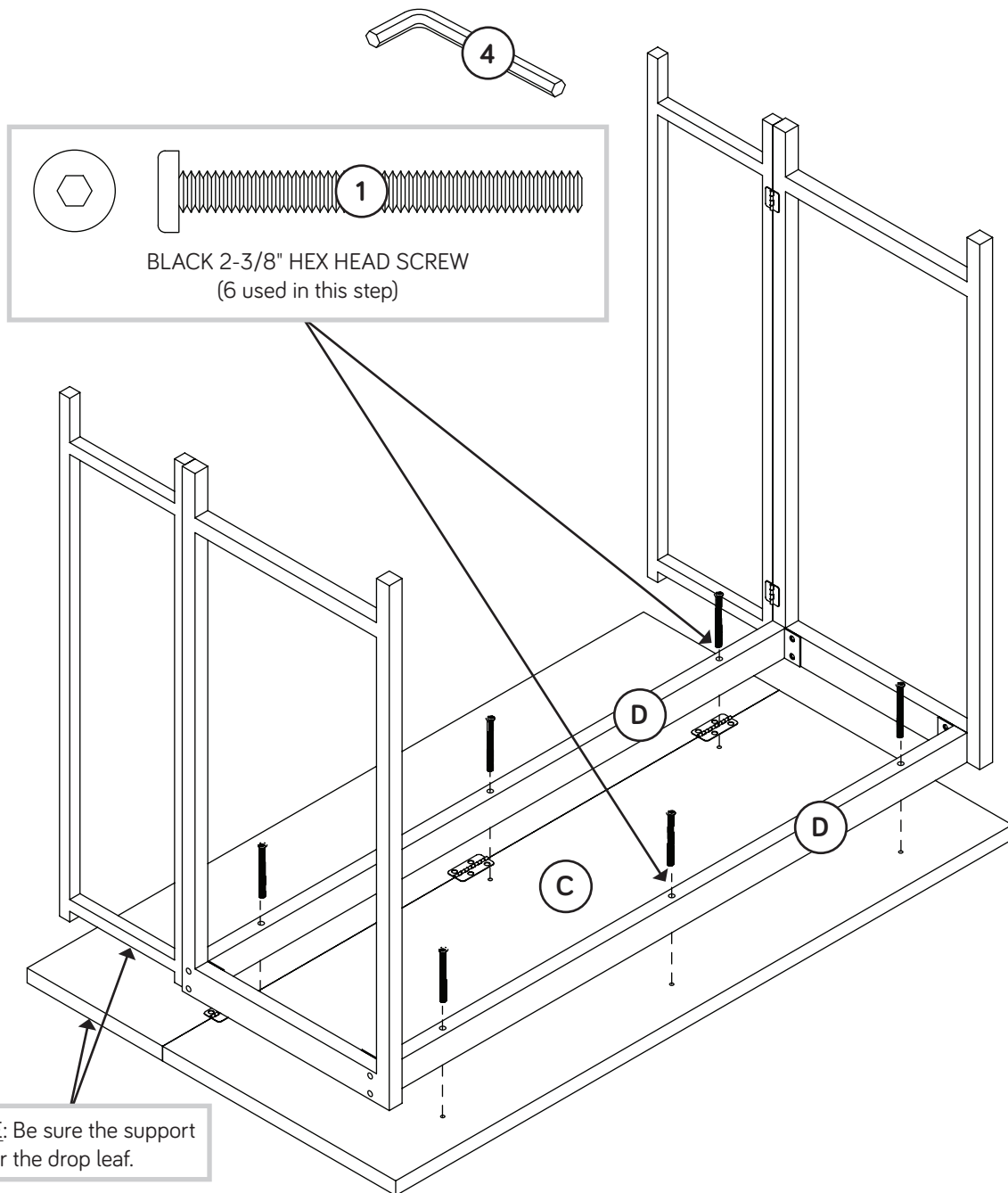
# Step 1

- ✚ Assemble your unit on a carpeted floor or on the empty carton to avoid scratching your unit or the floor.
- ✚ **NOTE:** Start each SCREW in this step a few turns before completely tightening any of them.
- ✚ Fasten the ENDS (A and B) to the BRACES (D). Tighten eight BLACK 1-3/8" HEX HEAD SCREWS (2) using the L-WRENCH (4).
- ✚ Finish fastening the BRACES (D) to the ENDS (A and B). Tighten eight BLACK 3/8" HEX HEAD SCREWS (3) using the L-WRENCH (4).



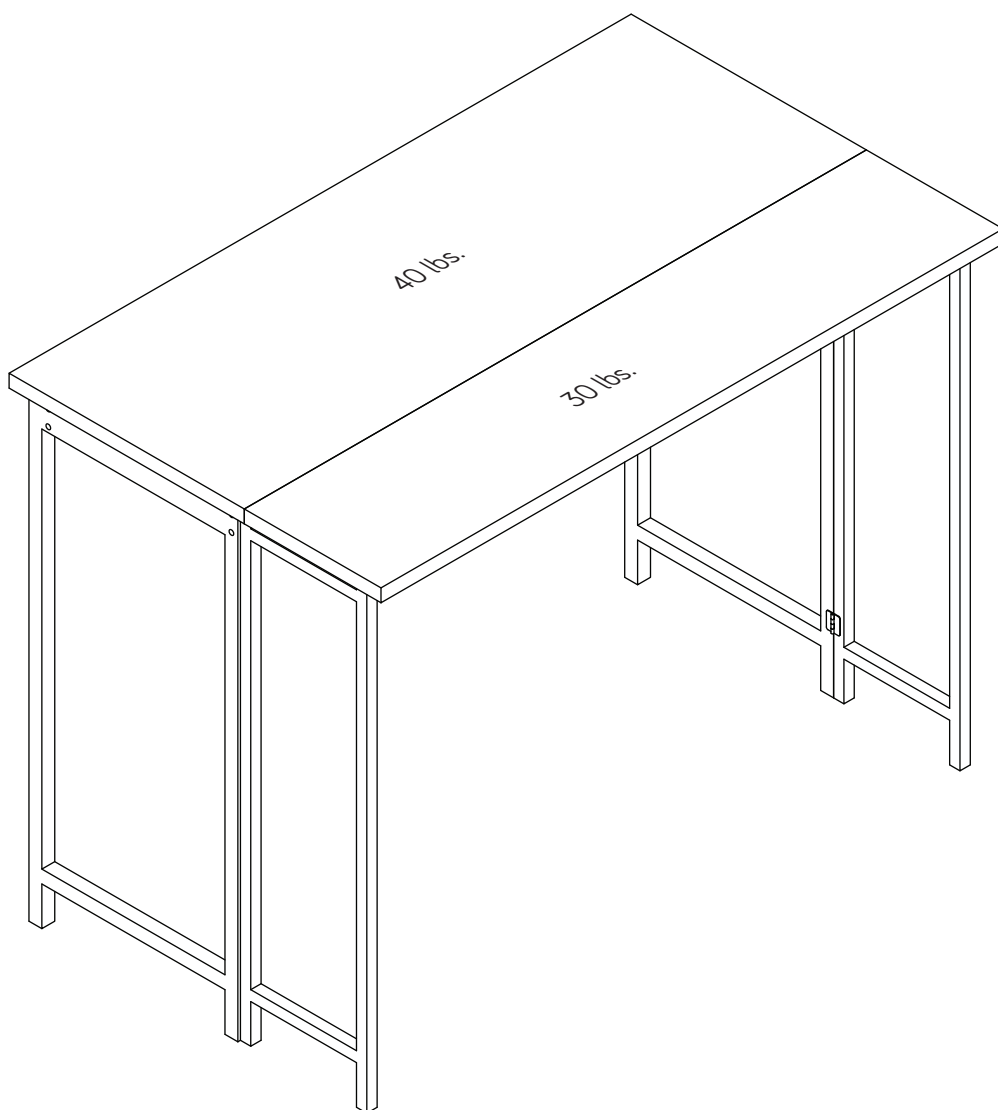
# Step 2

- ✦ Fasten the BRACES (D) to the TOP (C). Tighten six BLACK 2-3/8" HEX HEAD SCREWS (1) using the L-WRENCH (4).
- ✦ NOTE: Start each SCREW a few turns before completely tightening any of them.



# Step 3

- ✚ Carefully stand your unit upright.
- ✚ NOTE: Please read the back pages of the instruction booklet for important safety information.
- ✚ This completes assembly. Clean with a damp cloth. Wipe dry.



**⚠ WARNING**

Please use your furniture correctly and safely. Improper use can cause safety hazards, or damage to your furniture or household items. *Carefully read the following chart.*

Look out for:	What can happen:	How to avoid the problem:
<ul style="list-style-type: none"><li>• Improperly moving furniture.</li></ul>	<ul style="list-style-type: none"><li>• Furniture can break if improperly moved.</li><li>• Physical injury. Furniture can be very heavy.</li></ul>	<ul style="list-style-type: none"><li>• Do not push furniture, especially on a carpeted floor. Have a friend help you lift heavy items like a table and set it in place.</li></ul>