

# Teknik

## BOULEVARD CAFÉ OVAL BOOKCASE / DISPLAY UNIT

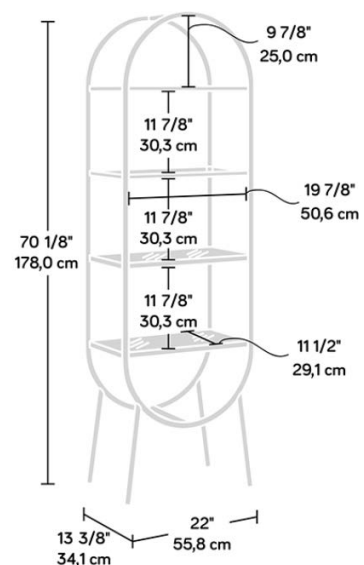
FURNITURE

### PRODUCT SHEET

- Contemporary oval display unit
- Durable, powder coated metal frame
  - Four fixed shelves
- Safety-tempered glass shelves



|                |           |
|----------------|-----------|
| Width          | 50.6 cm   |
| Depth          | 34.1 cm   |
| Height         | 178 cm    |
| Carton Height  | 14.5 cm   |
| Carton Width   | 64.5 cm   |
| Carton Depth   | 194.5 cm  |
| Box Volume     | 0.182 cbm |
| Weight (gross) | 20.9 kg   |



N.B: All measurements are approximate