

Treat yourshelf.

Open Storage Cabinet

Craft Collection | Model 5421405

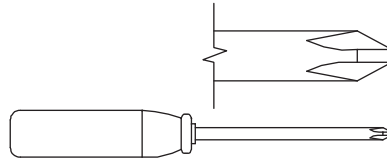
NOTE: THIS INSTRUCTION BOOKLET CONTAINS **IMPORTANT** SAFETY INFORMATION.

PLEASE READ AND KEEP FOR FUTURE REFERENCE.

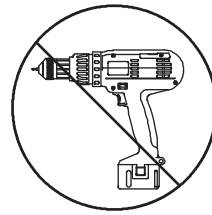
Table of Contents

Assembly Tools Required

Part Identification	3
Hardware Identification	4
Assembly Steps	5-12
Français	13-14
Español	15-16
Safety	17-18
Warranty	19



No. 2 Phillips Screwdriver
Tip Shown Actual Size



Skip the power trip.
This time.

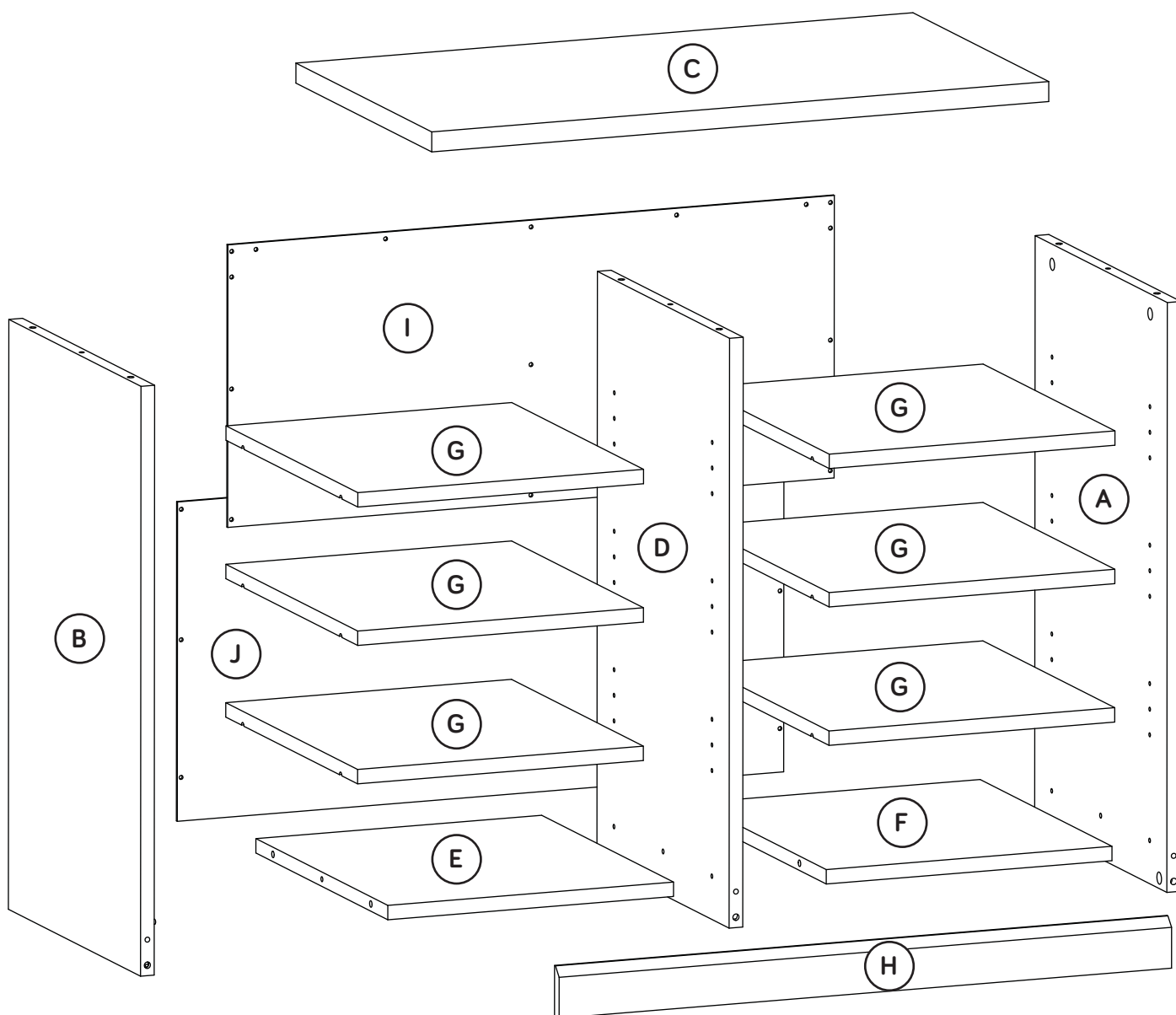
Part Identification

Now you know
our ABCs.



↑ While not all parts are labeled, some of the parts will have a label or an inked letter on the edge to help distinguish similar parts from each other. Use this part identification to help identify similar parts.

A	RIGHT END (1)	E	LEFT BOTTOM (1)	I	UPPER BACK (1)
B	LEFT END (1)	F	RIGHT BOTTOM (1)	J	LOWER BACK (1)
C	TOP (1)	G	ADJUSTABLE SHELF (6)		
D	UPRIGHT (1)	H	BASE (1)		



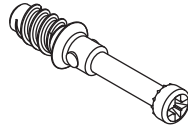
Hardware Identification

† Screws are shown actual size. You may receive extra hardware with your unit.

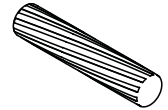
1 HIDDEN CAM - 17



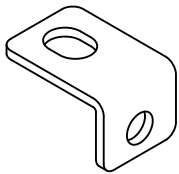
2 CAM SCREW - 17



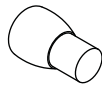
3 WOOD DOWEL - 9



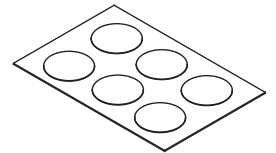
4 METAL BRACKET - 4



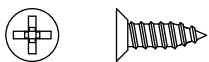
5 METAL PIN - 24



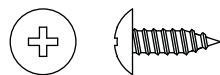
6 CAM COVER CARD - 1



7 SILVER 1/2" FLAT HEAD SCREW - 26

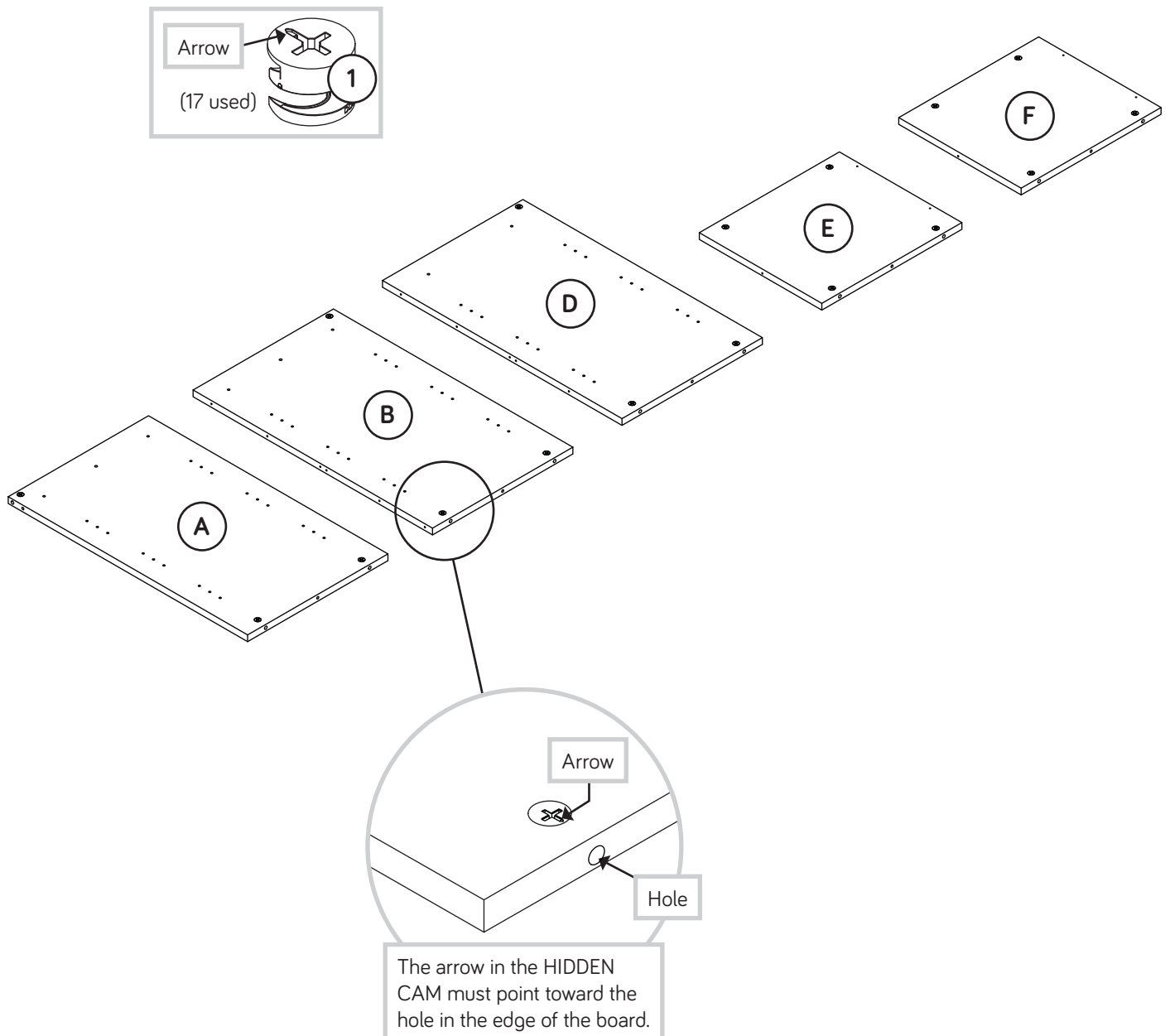


8 SILVER 1/2" PAN HEAD SCREW - 8



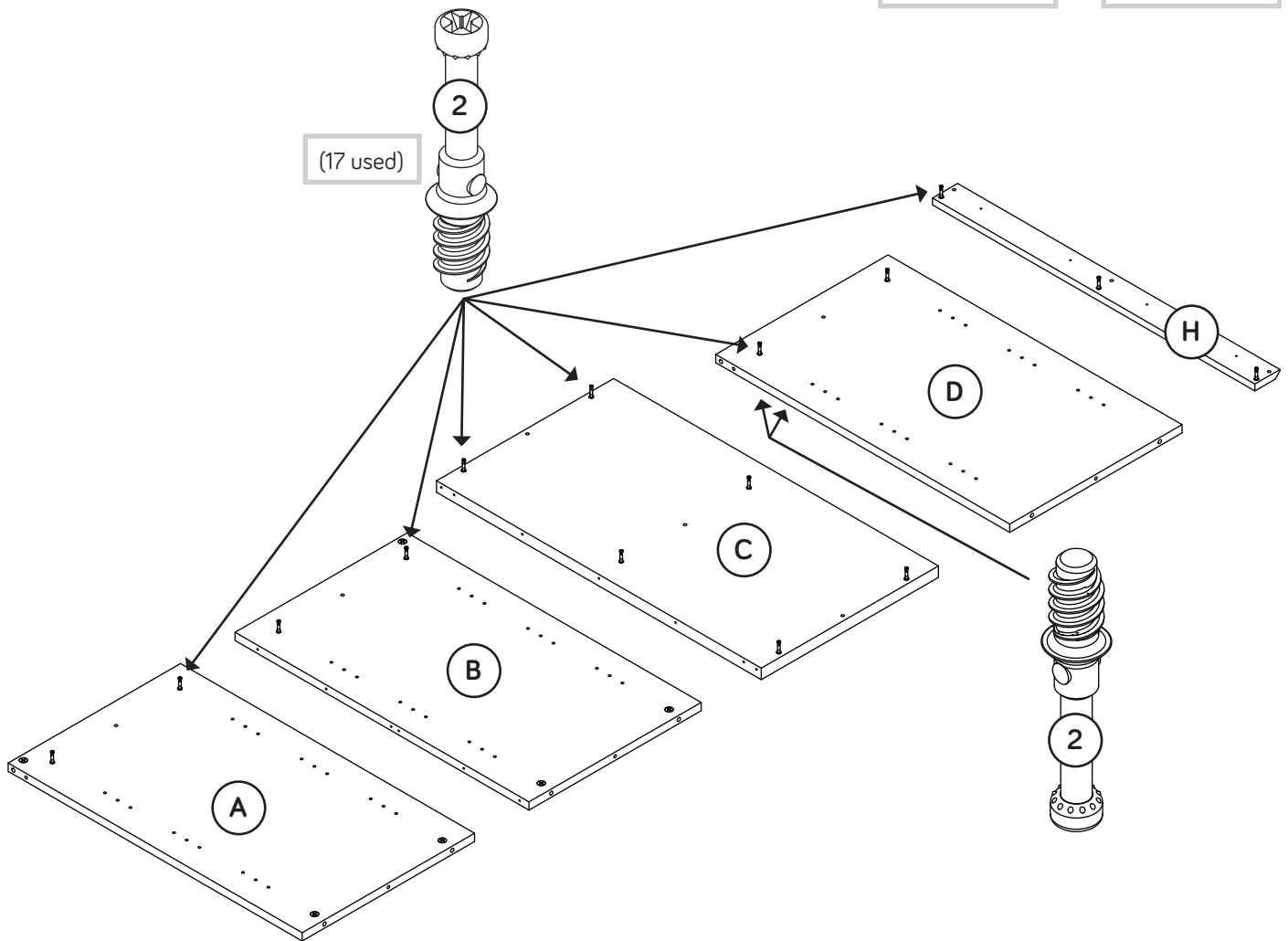
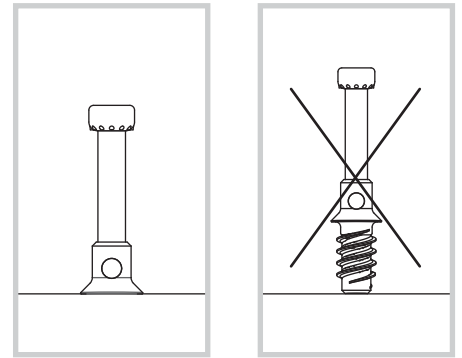
Step 1

- ✚ Assemble your unit on a carpeted floor or on the empty carton to avoid scratching your unit or the floor.
- ✚ Push seventeen HIDDEN CAMS (1) into the ENDS (A and B), UPRIGHT (D), BOTTOMS (E and F).



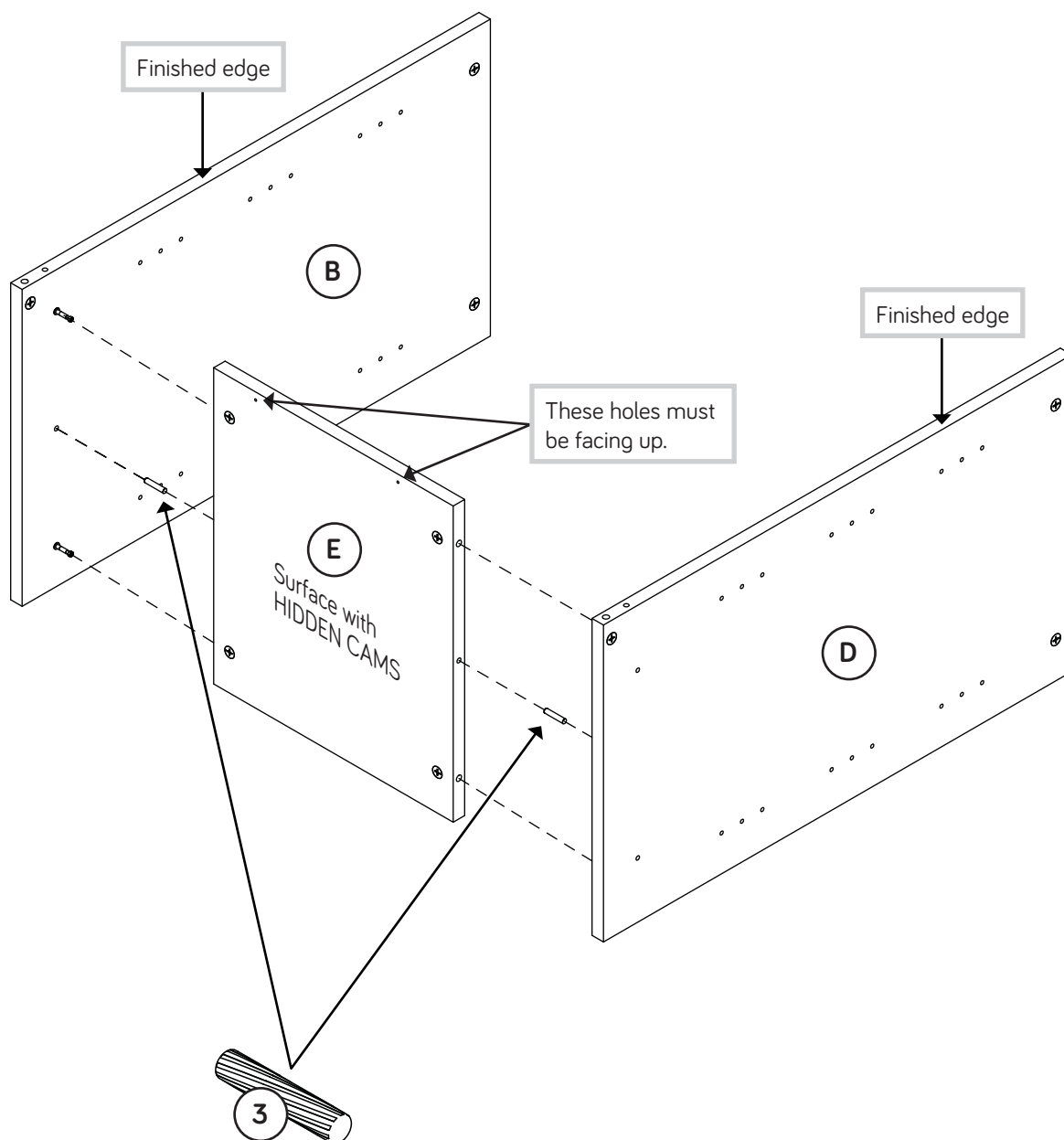
Step 2

- Turn seventeen CAM SCREWS (2) into the ENDS (A and B), TOP (C), UPRIGHT (D), and BASE (H).



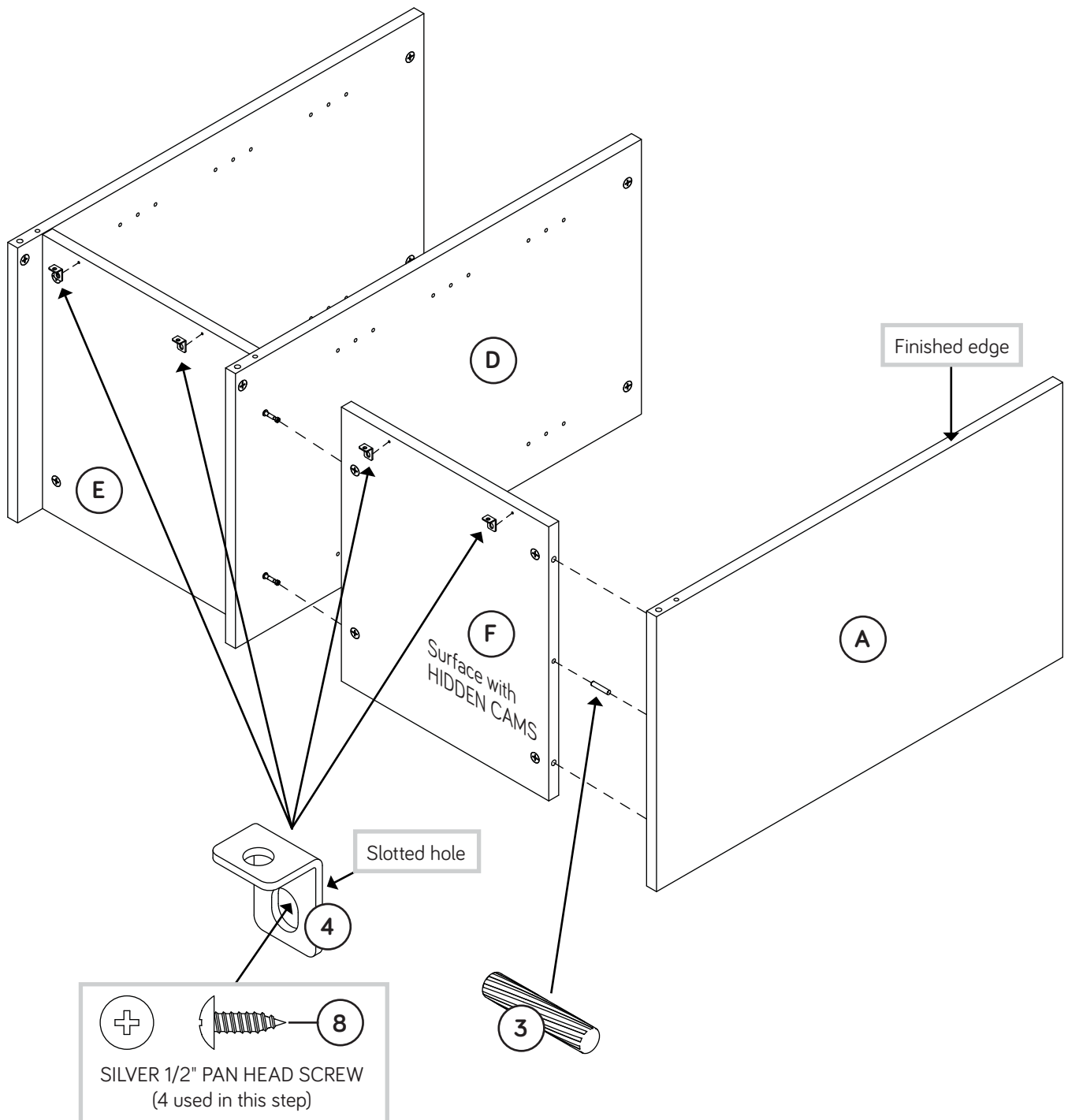
Step 3

- ✚ Insert two WOOD DOWELS (3) into the LEFT END (B) and UPRIGHT (D).
- ✚ Fasten the LEFT END (B) and UPRIGHT (D) to the LEFT BOTTOM (E). Tighten four HIDDEN CAMS.
- ✚ **NOTE:** Be sure the WOOD DOWELS in the LEFT END and UPRIGHT insert into the holes in the LEFT BOTTOM.



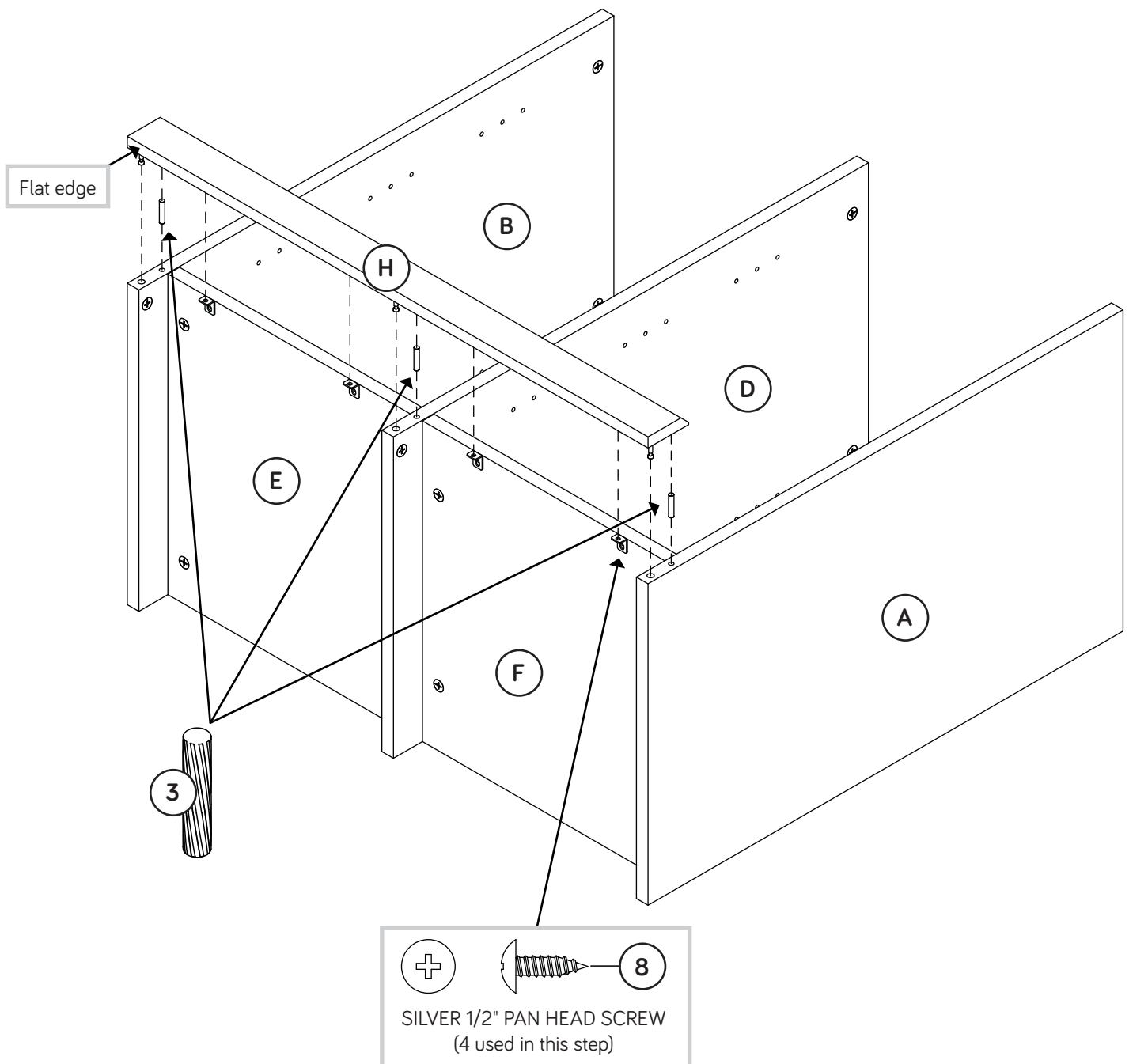
Step 4

- Fasten the RIGHT BOTTOM (F) to the UPRIGHT (D). Tighten two HIDDEN CAMS.
- Insert one WOOD DOWEL (3) into the RIGHT END (A).
- Fasten the RIGHT END (A) to the RIGHT BOTTOM (F). Tighten two HIDDEN CAMS.
- NOTE:** Be sure the WOOD DOWEL in the RIGHT END inserts into the hole in the RIGHT BOTTOM.
- Fasten four METAL BRACKETS (4) to the BOTTOMS (E and F). Use four SILVER 1/2" PAN HEAD SCREWS (8).



Step 5

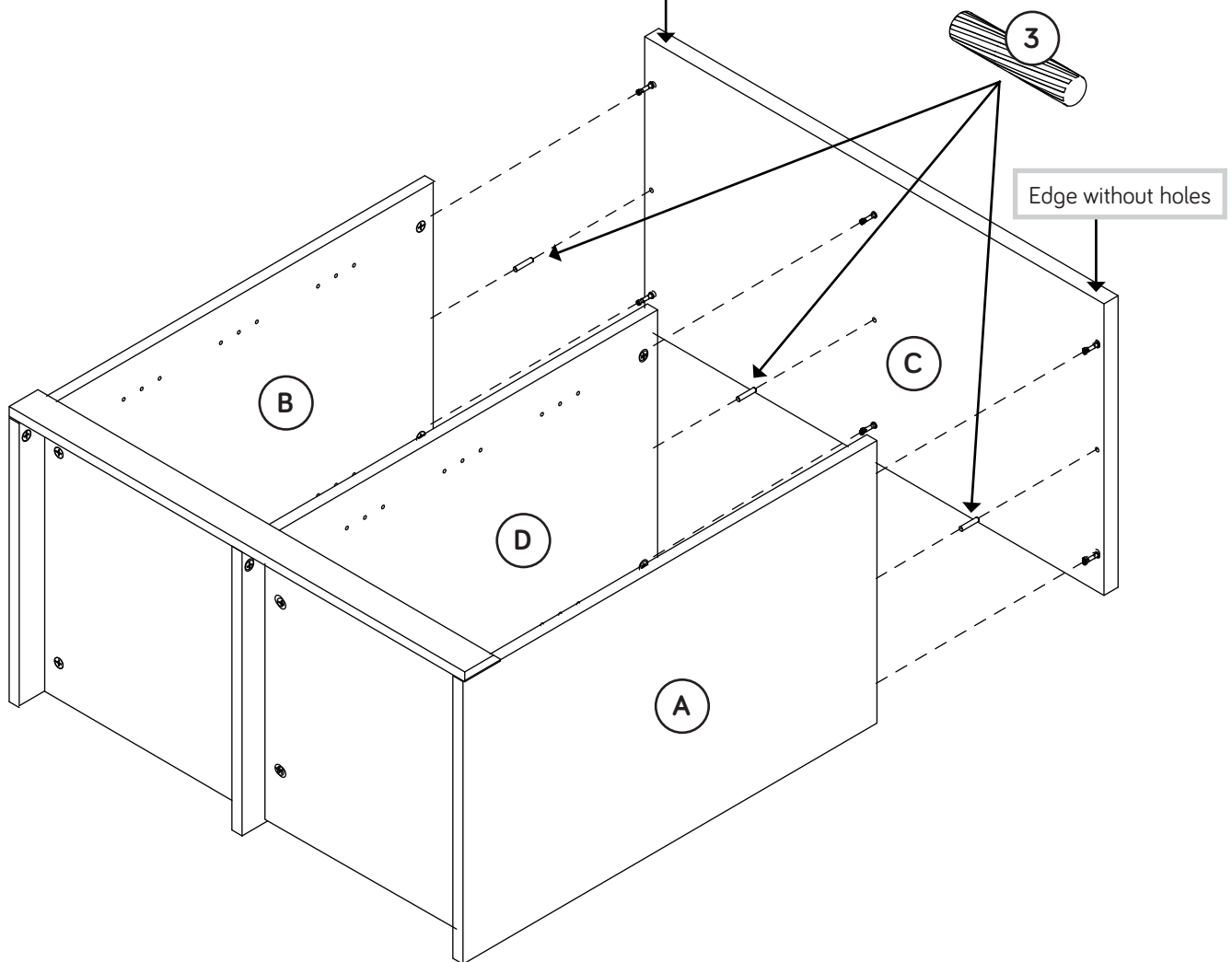
- ✚ Insert three WOOD DOWELS (3) into the ENDS (A and B) and UPRIGHT (D).
- ✚ Fasten the BASE (H) to the ENDS (A and B) and UPRIGHT (D). Tighten three HIDDEN CAMS.
- ✚ NOTE: Be sure the WOOD DOWELS in the ENDS and UPRIGHT insert into the hole in the BASE.
- ✚ Fasten the BASE (H) to the BOTTOMS (E and F). Use four SILVER 1/2" PAN HEAD SCREWS (8).



Step 6

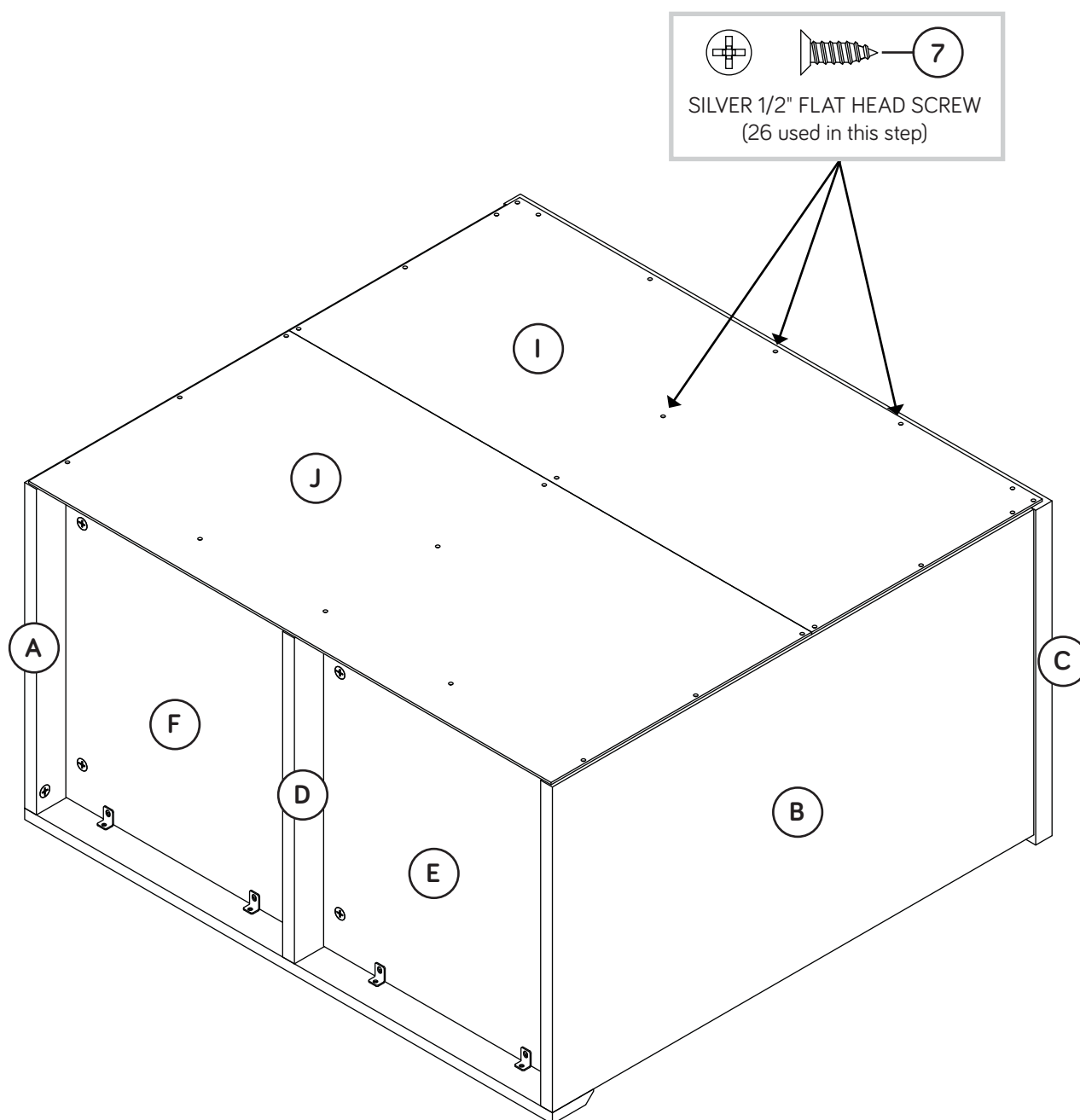
- ✚ Insert three WOOD DOWELS (3) into the center holes in the TOP (C).
- ✚ Fasten the TOP (C) to the ENDS (A and B) and UPRIGHT (D). Tighten six HIDDEN CAMS.
- ✚ **NOTE:** Be sure the WOOD DOWELS in the TOP insert into the hole in the ENDS and UPRIGHT.

Meet Part (C). This component has been engineered to be lighter, stronger, faster... well ok. Not technically faster. But definitely makes for a sturdier Storage Cabinet that's easier to assemble and friendlier to the environment.



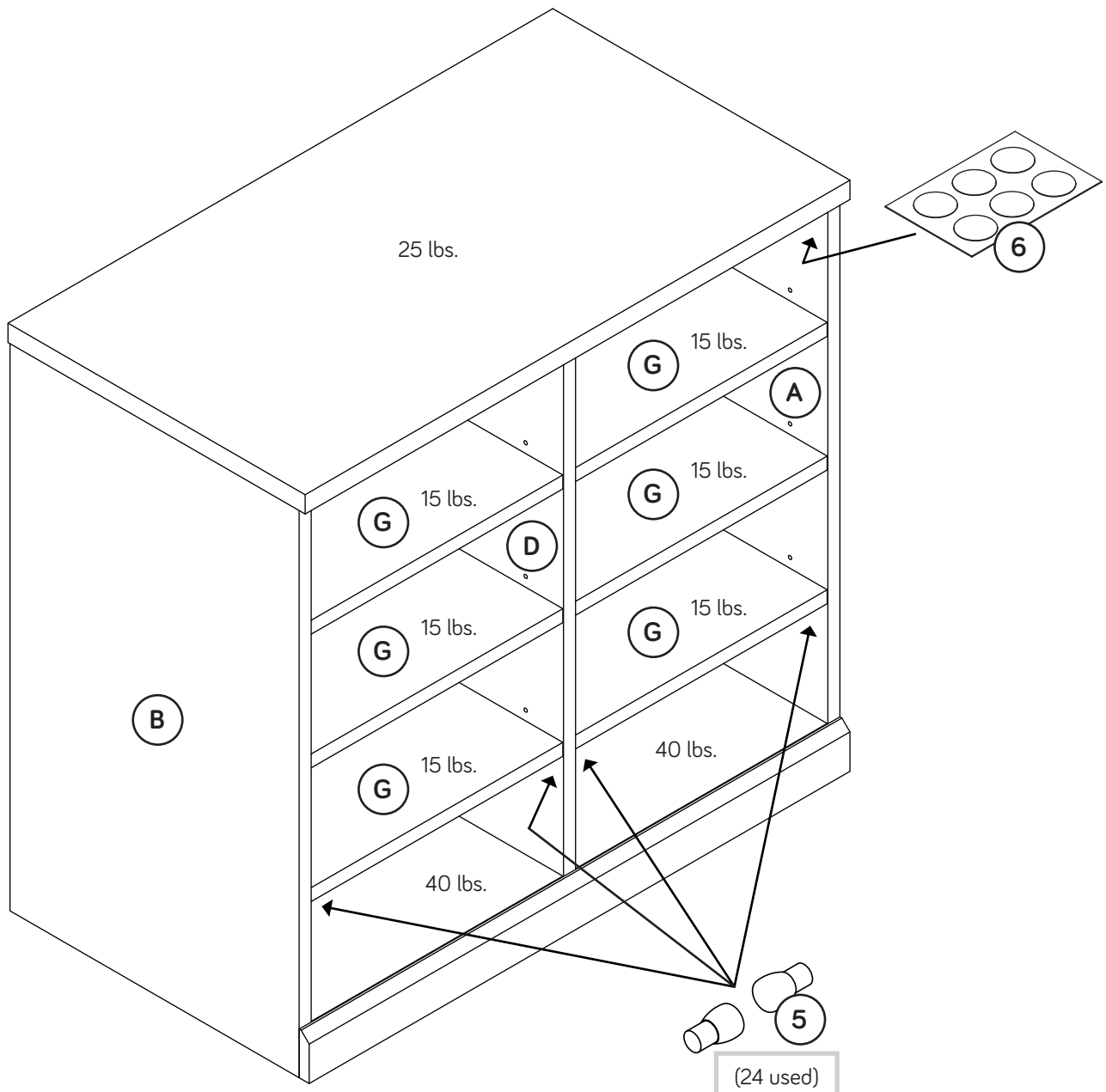
Step 7

- ✚ Carefully turn your unit onto its front edges.
- ✚ Position the BACKS (I and J) over your unit.
- ✚ **NOTE:** Be sure the holes in the BACKS line up over the UPRIGHT (D) and BOTTOMS (E and F).
- ✚ Fasten the BACKS (I and J) to the ENDS (A and B), TOP (C), UPRIGHT (D), and BOTTOMS (E and F). Use twenty-six SILVER 1/2" FLAT HEAD SCREWS (7).



Step 8

- ✚ Carefully stand your unit upright.
- ✚ Push twenty-four METAL PINS (5) into the desired holes in the ENDS (A and B) and UPRIGHT (D).
- ✚ Set the ADJUSTABLE SHELVES (G) onto the METAL PINS (5).
- ✚ Peel a CAM COVER from the CAM COVER CARD (6) and stick one onto each visible HIDDEN CAM.
- ✚ NOTE: Please read the back pages of the instruction booklet for important safety information.
- ✚ This completes assembly. Clean with your favorite furniture polish or a damp cloth. Wipe dry.



 **WARNING**

Please use your furniture correctly and safely. Improper use can cause safety hazards, or damage to your furniture or household items. Carefully read the following safety information.

Death or serious injury may occur when children climb on furniture. A remote control, toys or other items placed on the furniture may encourage a child to climb on the furniture which could cause it to tip-over and result in serious injury or death.

NEVER allow children to climb on furniture.

NEVER place toys, food, remote, etc. on top of furniture.

ALWAYS use either the safety hardware as instructed or other wall anchoring device.

Placing audio and/or video equipment onto furniture not specifically designed to support audio and/or video equipment may result in death or serious injury due to furniture collapse or tip over.

NEVER place a TV on furniture that is not intended to support a TV.

This product is not designed to support a television unless a TV warning label is included and the instructions specifically state the size and weight of the television.

Overloading drawers and shelves may result in furniture that can break or sag, or tip-over which may result in injury.

NEVER exceed the weight limits shown in the instructions.

Place the heavier items on lower shelves as far back from the front as possible.

Load the bottom surfaces first to avoid top-heavy furniture.

Moving furniture that is not designed to be moved or equipped with casters may result in injury or damage to furnishings or personal property.

ALWAYS unload shelves and drawers, starting with the top surfaces, before moving.

NEVER push or pull furniture on carpet. Have a friend help lift properly to move and/or reposition it.