

PRODUCT INFORMATION SHEET

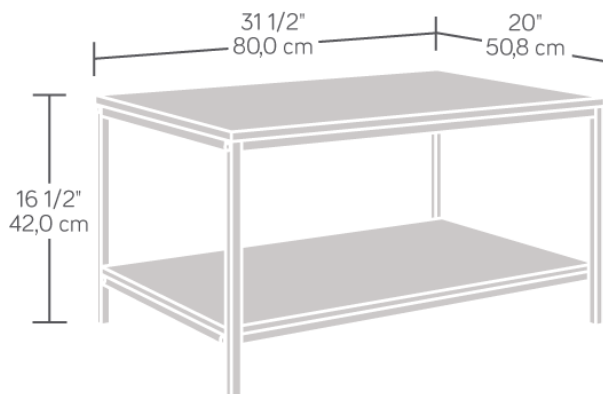
INDUSTRIAL STYLE COFFEE TABLE

FURNITURE



Features:

- Industrial style coffee table
- Open shelving for storage and display.
- Finished on all sides for versatile placement.
- Durable, black metal frame.
- Charter Oak finish.



Dimensions:

| | |
|----------------|-----------|
| Width | 80 cm |
| Depth | 50.8 cm |
| Height | 42 cm |
| Carton Height | 6.5 cm |
| Carton Width | 87.5 cm |
| Carton Depth | 61.6 cm |
| Box Volume | 0.036 cbm |
| Weight (gross) | 12.70 kg |

N.B: All measurements are approximate