

PRODUCT INFORMATION SHEET

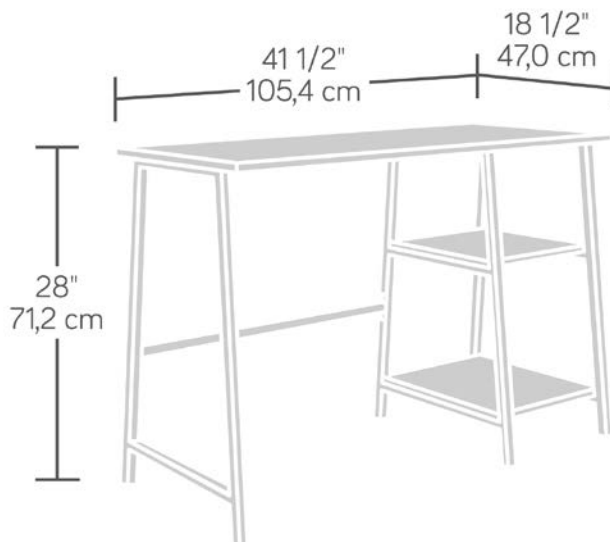
INDUSTRIAL STYLE BENCH DESK

FURNITURE



Features:

- Home office industrial style bench desk
- Sharp, minimalist design
- Spacious work area finished in charter oak effect
- Durable black metal frame
- Two lower storage shelves
- 360° all round finish, (can be freestanding)



Dimensions:

Width	105.4 cm
Depth	47 cm
Height	71.2 cm
Carton Height	9 cm
Carton Width	112.5 cm
Carton Depth	51.7 cm
Box Volume	0.052 cbm
Weight (gross)	15.4 kg

N.B: All measurements are approximate