

H



M6*30/10PCS

I



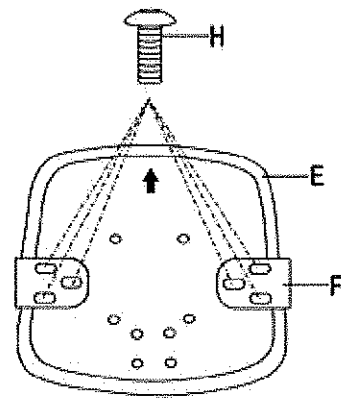
M6*20/4PCS

K

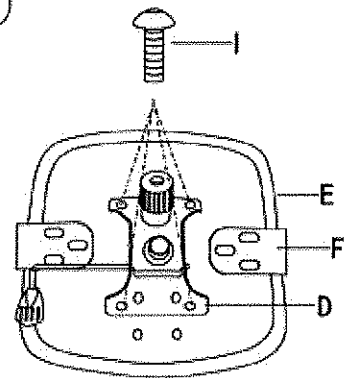


M5/1PC

①

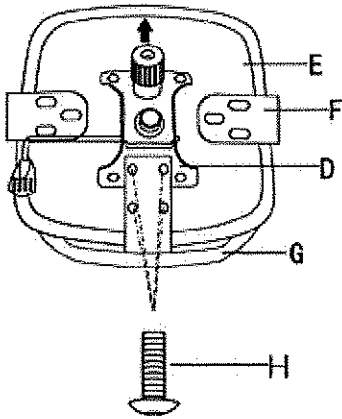


②

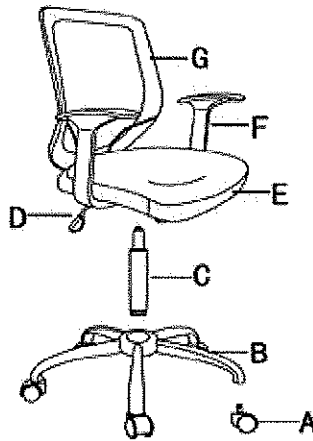


W-95

③



④



⑤

