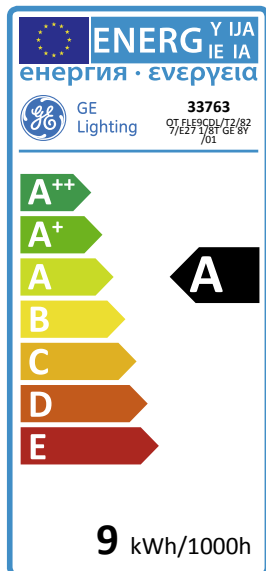




GE
Lighting



9
kWh/1000h

A
energy class

45
lumens/watt

Candle T2 8,000 hours -
upgraded design

OT FLE9CDL/T2/827/E27 1/8T GE 8Y /01

33763

Product information

The 8000 hours CFL candle lamps offer traditional incandescent shape, long life and elegant light. Suitable for multi-arm fixtures or anywhere the bulb is visible, GE Lighting's Decor CFL range is an ideal and eco-friendly solution.

Application areas



Home



Office



WORLDWIDE PARTNER

Product data

Cap/Base	E27
Bulb Shape	Helix w. Candle
Bulb Diameter [mm]	37
Bulb maximum overall diameter [mm]	37
Nominal Length [mm]	110.5
Net weight per piece [g]	50
Gross weight per piece [g]	65
Operating position	U - Universal
Mercury Content [mg]	2
UV radiance	exempt
RoHS compliant	Yes
Regulatory comment	CE
Brand	General Electric (GE)

Performance data

Colour Code	827
Colour Rendering Index (CRI) [Ra]	82
Nominal correlated colour temperature (CCT) [K]	2700
Nominal lumens [lm]	405
Rated Lumens [lm]	405
Energy efficiency class (EEC)	A
Lamp Lumen Maintenance factor (2000 hours)	83
Lamp Lumen Maintenance factor (6000 hours)	70
Rated average life [h]	8000
Rated Life [h]	8000
Nominal life [h]	8000
Rated survival factor (6000 hours)	70
Weighted energy consumption [kWh/1000h]	9

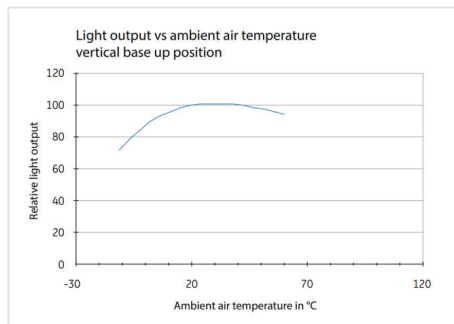
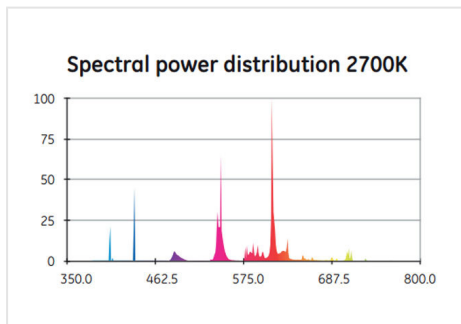
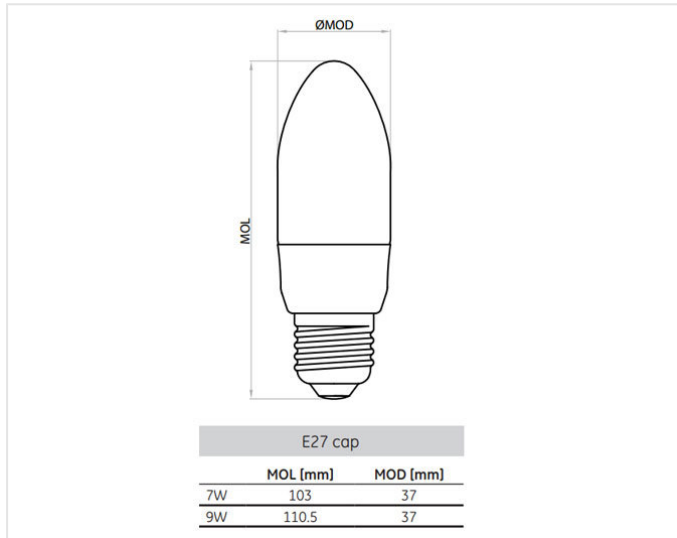
Electrical data

Nominal power [W]	9
Lamp Power	9
Nominal lamp power factor	=> 0,55
Nominal lamp voltage [V]	230
Lamp Current [A]	0.085
Operating Temperature (MIN) [°C]	-15
Operating Temperature (MAX) [°C]	50
Starting ambient temperature range	-15
Run-up time (sec)	<100
Starting time (sec)	1.5
Number of switching cycles	30000
Dimming Capability	No

Logistic data

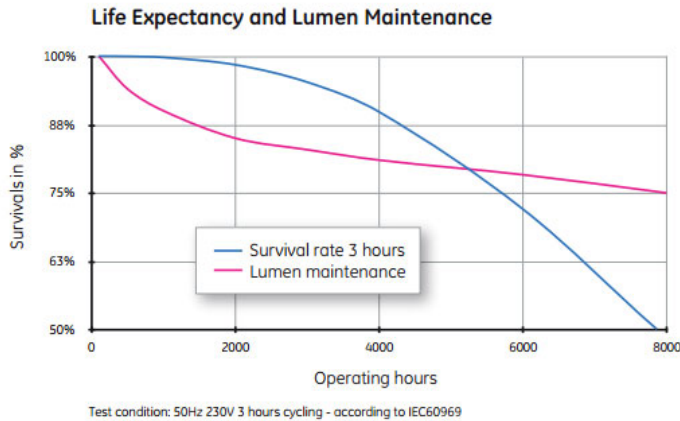
DUN Code	10043168337639
EAN Code	0043168337632
Pack Quantity	8
Inner pack type	BOX
Outer pack type	TRAY OUTER
Pallet quantity EUR (PC)	3328
Pallet quantity UK (PC)	4096
Outer case size	107 x 202 x 134 (mm)
Product status	Available

Technical drawing



Survival data

Survival rate and lumen maintenance



Hours	Survival rate 3 hours	Lumen maintenance
100	1.00	1.00
2,000	0.98	0.85
4,000	0.90	0.81
6,000	0.72	0.78
8,000	0.50	0.75

Downloads & Links

[Go to the catalog site \(HTTP\)](#)

[CFL Integrated Spectrum Catalogue \(PDF\)](#)

[Lighting design tools & calculators \(HTTP\)](#)

[Disposing and Cleaning of CFL Lamps \(HTTP\)](#)

[Datasheets \(HTTP\)](#)

[High-res images / Technical drawings \(HTTP\)](#)

[Certificate for the Quality Management System of GE Lighting EMEA \(PDF\)](#)

[Certificate for the Environmental Management System of GE Lighting EMEA \(PDF\)](#)