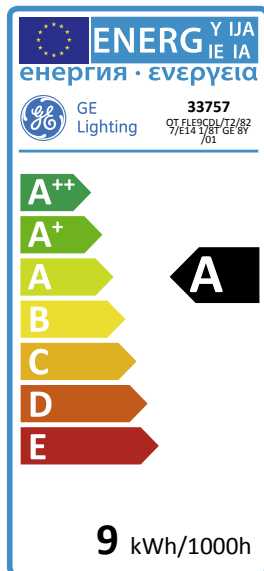




GE
Lighting



9
kWh/1000h

A
energy class

45
lumens/watt

Candle T2 8,000 hours -
upgraded design

OT FLE9CDL/T2/827/E14 1/8T GE 8Y /01

33757

Product information

The 8000 hours CFL candle lamps offer traditional incandescent shape, long life and elegant light. Suitable for multi-arm fixtures or anywhere the bulb is visible, GE Lighting's Decor CFL range is an ideal and eco-friendly solution.

Application areas



Home



Office



Product data

Cap/Base	E14
Bulb Shape	Heliax w. Candle
Bulb maximum overall diameter [mm]	37
Nominal Length [mm]	113
Net weight per piece [g]	50
Gross weight per piece [g]	65
Operating position	U - Universal
Mercury Content [mg]	2
UV radiance	exempt
Regulatory comment	EUP related
Brand	General Electric (GE)

Performance data

Colour Code	827
Colour Rendering Index (CRI) [Ra]	82
Nominal correlated colour temperature (CCT) [K]	2700
Nominal lumens [lm]	405
Rated Lumens [lm]	405
Energy efficiency class (EEC)	A
Rated Life [h]	8000
Weighted energy consumption [kWh/1000h]	9

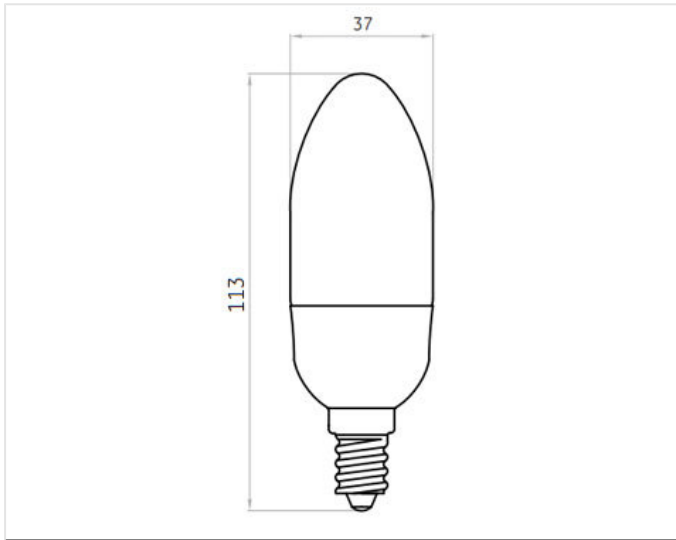
Electrical data

Nominal power [W]	9
Rated power [W]	9.0
Nominal lamp voltage [V]	230
Lamp Current [A]	0.085
Operating Temperature (MIN) [°C]	-15
Operating Temperature (MAX) [°C]	50
Starting ambient temperature range	-15
Startup time [sec]	1.5
Run-up time (sec)	100
Starting time (sec)	1.5
Number of switching cycles	30000
Dimming Capability	No

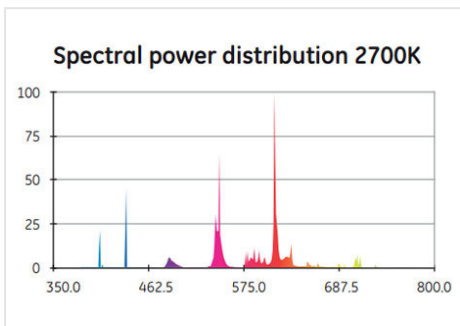
Logistic data

DUN Code	10043168337578
EAN Code	0043168337571
Pack Quantity	8
Inner pack type	BOX
Outer pack type	TRAY OUTER
Layer quantity	304 EUR, 392 UK
Layer quantity EUR	304
Layer quantity UK	392
Pallet quantity EUR (PC)	2432
Pallet quantity UK (PC)	3136
Outer case size	107 x 202 x 134 (mm)
Product status	Available

Technical drawing



Spectral distribution



Survival data



Downloads & Links

[Go to the catalog site \(HTTP\)](#)

[CFL Integrated Spectrum Catalogue \(PDF\)](#)

[Candle 8.000 Hrs Data sheet \(PDF\)](#)

[Disposing and Cleaning of CFL Lamps \(HTTP\)](#)

[Lighting design tools & calculators \(HTTP\)](#)

[Datasheets \(HTTP\)](#)

[High-res images / Technical drawings \(HTTP\)](#)

[Certificate for the Quality Management System of GE Lighting EMEA \(PDF\)](#)

[Certificate for the Environmental Management System of GE Lighting EMEA \(PDF\)](#)