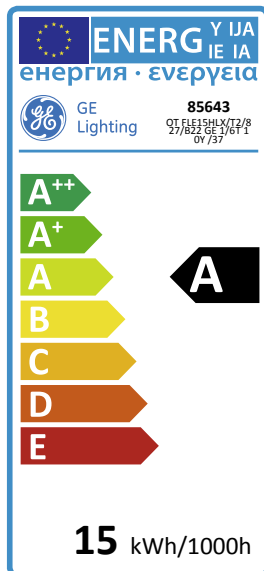




GE
Lighting



15
kWh/1000h

A
energy class

63
lumens/watt

Spiral T2 - 8,000 / 10,000 / 15,000 hours - upgraded design

OT FLE15HLX/T2/827/B22 GE 1/6T 10Y /37
85643

Product information

The T2 8,000 - 10,000 hours spiral lamps are one of the most popular bulb shapes in the energy saving category. With its small size, it will fit all applications currently using incandescent bulbs. Providing more light than the original stick lamps, spiral lamps are one of the most eco-friendly energy saving solutions available today.

Application areas



Home



Office



WORLDWIDE PARTNER

Product data

Cap/Base	B22d
Bulb Shape	Heliac
Bulb maximum overall diameter [mm]	49.5
Maximum Overall Length [mm]	106
Net weight per piece [g]	53
Gross weight per piece [g]	96
Operating position	Universal
Mercury Content [mg]	1.5
UV radiance	exempt
Regulatory comment	EUP related
Brand	General Electric (GE)

Performance data

Colour Code	827
Colour Rendering Index (CRI) [Ra]	82
Nominal correlated colour temperature (CCT) [K]	2700
Nominal lumens [lm]	950
Rated Lumens [lm]	950
Energy efficiency class (EEC)	A
Rated Life [h]	10000
Rated median life on electronic (HF) ballast on IEC 3-hour cycle	10000
Weighted energy consumption [kWh/1000h]	15

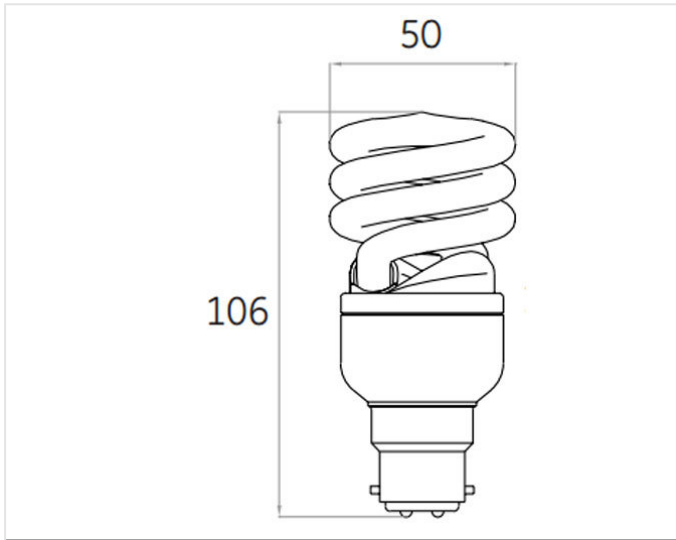
Electrical data

Nominal power [W]	15
Rated power [W]	15.0
Nominal lamp power factor	$\geq 0,55$
Nominal lamp voltage [V]	230
Operating Temperature [°C]	25
Operating Temperature (MAX) [°C]	50
Startup time [sec]	0.3
Run-up time (sec)	< 40
Starting time (sec)	$< 0,3$
Number of switching cycles	10000
Dimming Capability	No

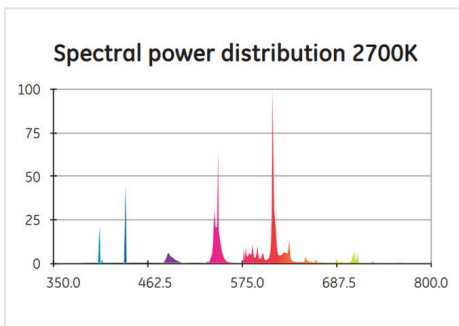
Logistic data

DUN Code	10043168856437
EAN Code	0043168856430
Pack Quantity	6
Inner pack type	BOX
Outer pack type	OUTER BOX
Layer quantity	216 EUR, 264 UK
Layer quantity EUR	216
Layer quantity UK	264
Pallet quantity EUR (PC)	1728
Pallet quantity UK (PC)	2112
Outer case size	186 x 138 x 127 (mm)
Product status	Available

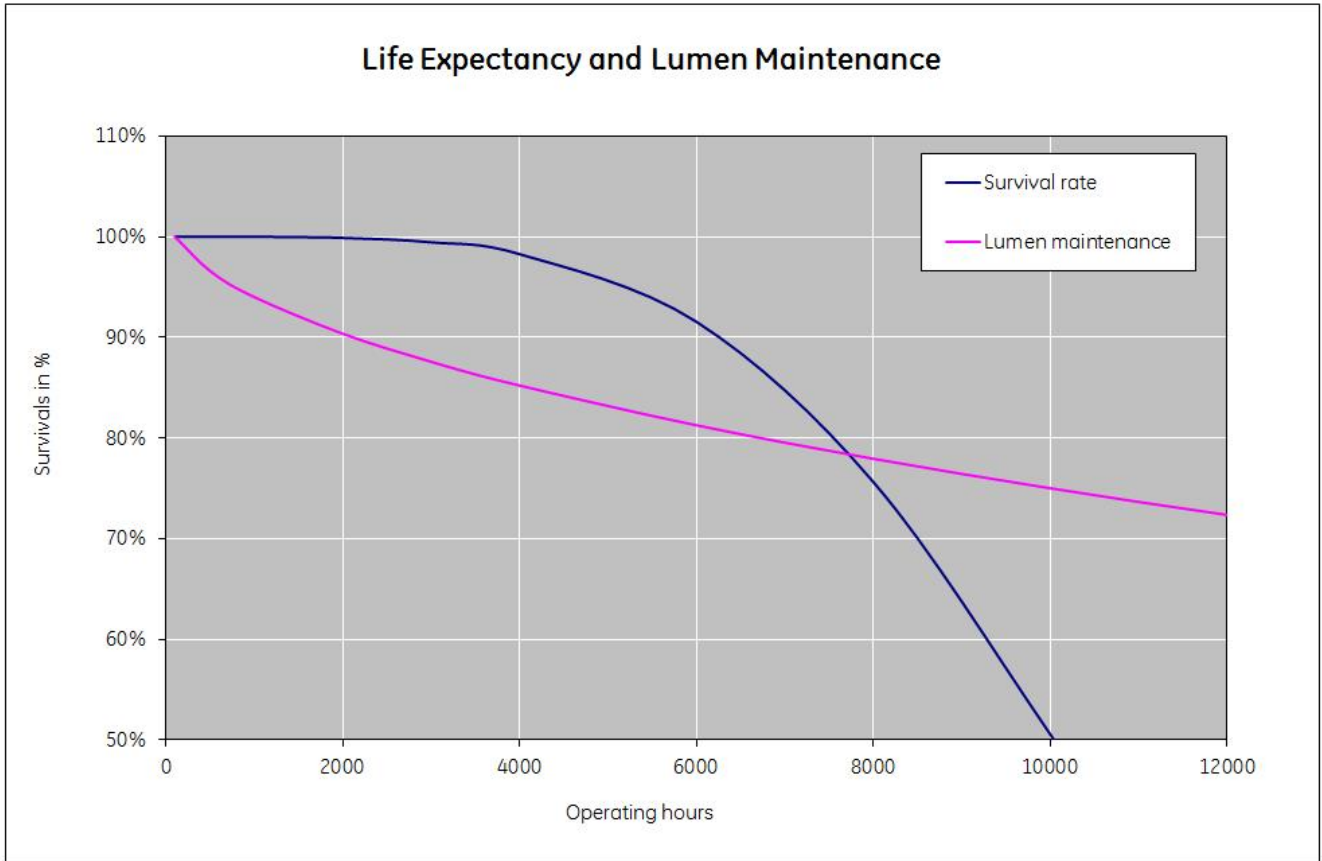
Technical drawing



Spectral distribution



Survival data



Downloads & Links

[Go to the catalog site \(HTTP\)](#)

[CFL Integrated Spectrum Catalogue \(PDF\)](#)

[T2 Spiral 8000/10000 Hours Datasheet \(PDF\)](#)

[Disposing and Cleaning of CFL Lamps \(HTTP\)](#)

[Lighting design tools & calculators \(HTTP\)](#)

[CFL Integrated Spectrum Catalogue \(PDF\)](#)

[Datasheets \(HTTP\)](#)

[Lighting design tools & calculators \(HTTP\)](#)

[Disposing and Cleaning of CFL Lamps \(HTTP\)](#)

[High-res images / Technical drawings \(HTTP\)](#)

[Certificate for the Quality Management System of GE Lighting EMEA \(PDF\)](#)

[Certificate for the Environmental Management System of GE Lighting EMEA \(PDF\)](#)