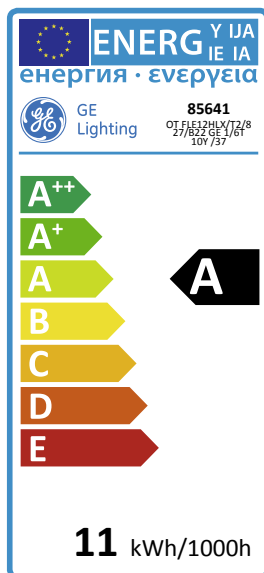




GE
Lighting



11
kWh/1000h

A
energy class

60
lumens/watt

Spiral T2 - 8,000 / 10,000 /
15,000 hours - upgraded
design

OT FLE12HLX/T2/827/B22 GE 1/6T 10Y /37
85641

Product information

The T2 8,000 - 10,000 hours spiral lamps are one of the most popular bulb shapes in the energy saving category. With its small size, it will fit all applications currently using incandescent bulbs. Providing more light than the original stick lamps, spiral lamps are one of the most eco-friendly energy saving solutions available today.

Application areas



Home



Office



WORLDWIDE PARTNER

Product data

Cap/Base	B22d
Bulb Shape	Heliac
Bulb Diameter [mm]	46
Bulb maximum overall diameter [mm]	46
Nominal Length [mm]	99
Net weight per piece [g]	48
Gross weight per piece [g]	88
Operating position	Uniersal
Mercury Content [mg]	1.5
UV radiance	exempt
RoHS compliant	Yes
Regulatory comment	CE
Brand	General Electric (GE)

Performance data

Colour Code	827
Colour Rendering Index (CRI) [Ra]	82
Nominal correlated colour temperature (CCT) [K]	2700
Nominal lumens [lm]	715
Rated Lumens [lm]	715
Energy efficiency class (EEC)	A
Lamp Lumen Maintenance factor (2000 hours)	88
Lamp Lumen Maintenance factor (6000 hours)	70
Rated average life [h]	10000
Rated Life [h]	10000
Nominal life [h]	10000
Rated survival factor (6000 hours)	70
Rated median life on electronic (HF) ballast on IEC 3-hour cycle	10000
Weighted energy consumption [kWh/1000h]	11

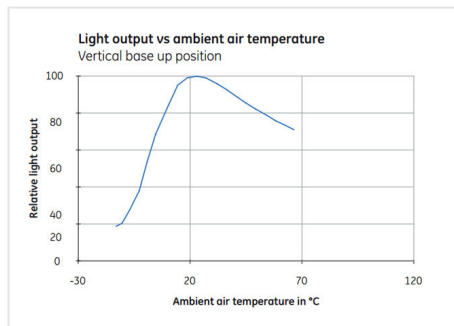
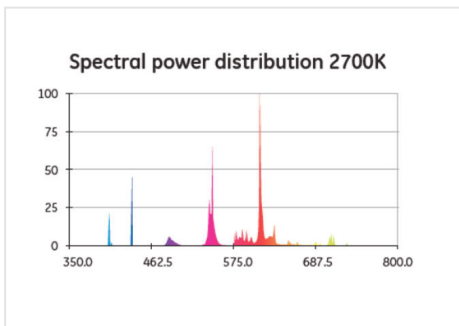
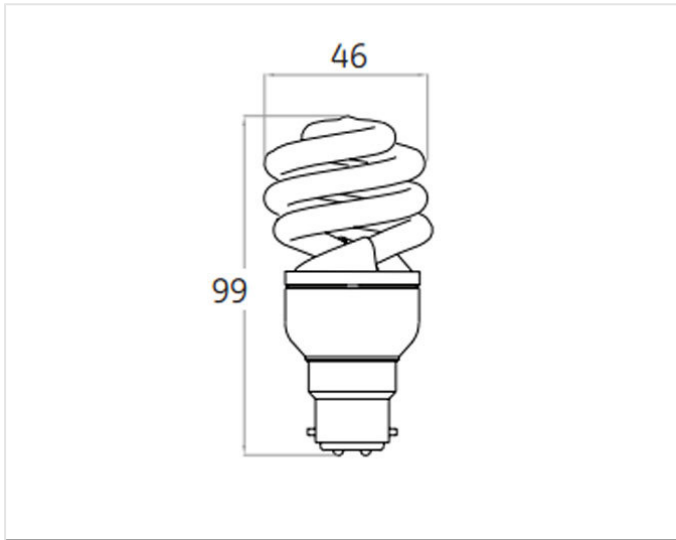
Electrical data

Nominal power [W]	12
Lamp Power	12
Nominal lamp power factor	=>0,55
Nominal lamp voltage [V]	230
Lamp Current [A]	0.09
Operating Temperature [°C]	25
Operating Temperature (MAX) [°C]	50
Run-up time (sec)	<40
Starting time (sec)	0.3
Number of switching cycles	10000
Dimming Capability	No

Logistic data

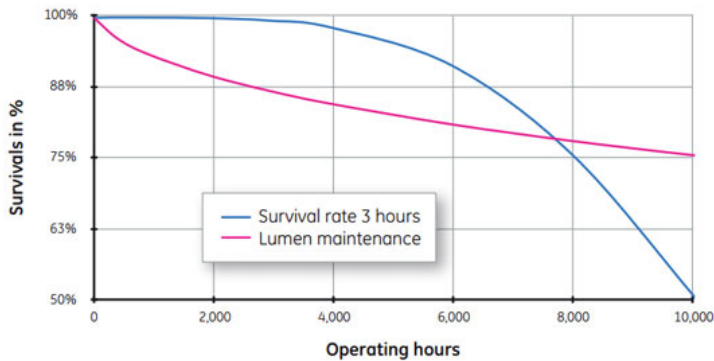
DUN Code	10043168856413
EAN Code	0043168856416
Pack Quantity	6
Inner pack type	BOX
Outer pack type	OUTER BOX
Pallet quantity EUR (PC)	1584
Pallet quantity UK (PC)	2064
Outer case size	174 x 130 x 123 (mm)
Product status	Available

Technical drawing



Survival data

Life expectancy and lumen maintenance T2 Spiral 10,000 hours



Hours	Survival rate 3 hours	Lumen maintenance
100	1.00	1.00
2,000	1.00	0.90
4,000	0.98	0.85
6,000	0.92	0.81
8,000	0.76	0.78
10,000	0.51	0.75

Test condition: 50Hz 230V 3 hours cycling - according to IEC60969

Downloads & Links

[Go to the catalog site \(HTTP\)](#)

[CFL Integrated Spectrum Catalogue \(PDF\)](#)

[CFL Integrated Lamps - Brochure \(PDF\)](#)

[Spiral T2 10000 and 8000 Hrs Data sheet \(PDF\)](#)

[Lighting design tools & calculators \(HTTP\)](#)

[Disposing and Cleaning of CFL Lamps \(HTTP\)](#)

[CFL Integrated Spectrum Catalogue \(PDF\)](#)

[Datasheets \(HTTP\)](#)

[Lighting design tools & calculators \(HTTP\)](#)

[Disposing and Cleaning of CFL Lamps \(HTTP\)](#)

[High-res images / Technical drawings \(HTTP\)](#)

[Certificate for the Quality Management System of GE Lighting EMEA \(PDF\)](#)

[Certificate for the Environmental Management System of GE Lighting EMEA \(PDF\)](#)