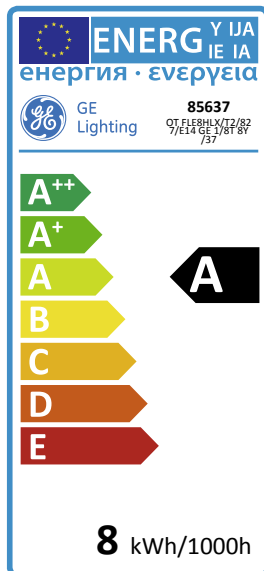




GE
Lighting



8
kWh/1000h

A
energy class

59
lumens/watt

Spiral T2 - 8,000 / 10,000 / 15,000 hours - upgraded design

OT FLE8HLX/T2/827/E14 GE 1/8T 8Y /37

85637

Product information

The T2 8,000 - 10,000 hours spiral lamps are one of the most popular bulb shapes in the energy saving category. With its small size, it will fit all applications currently using incandescent bulbs. Providing more light than the original stick lamps, spiral lamps are one of the most eco-friendly energy saving solutions available today.

Application areas



Home



Office



WORLDWIDE PARTNER

Product data

| | |
|------------------------------------|-----------------------|
| Cap/Base | E14 |
| Bulb Shape | Heliac |
| Bulb maximum overall diameter [mm] | 46 |
| Nominal Length [mm] | 93 |
| Maximum Overall Length [mm] | 93 |
| Net weight per piece [g] | 41 |
| Gross weight per piece [g] | 77 |
| Operating position | Universal |
| Mercury Content [mg] | 1.5 |
| UV radiance | exempt |
| Regulatory comment | EUP related |
| Brand | General Electric (GE) |

Performance data

| | |
|--|------|
| Colour Code | 827 |
| Colour Rendering Index (CRI) [Ra] | 82 |
| Nominal correlated colour temperature (CCT) [K] | 2700 |
| Nominal lumens [lm] | 470 |
| Rated Lumens [lm] | 470 |
| Energy efficiency class (EEC) | A |
| Rated Life [h] | 8000 |
| Rated median life on electronic (HF) ballast on IEC 3-hour cycle | 8000 |
| Weighted energy consumption [kWh/1000h] | 8 |

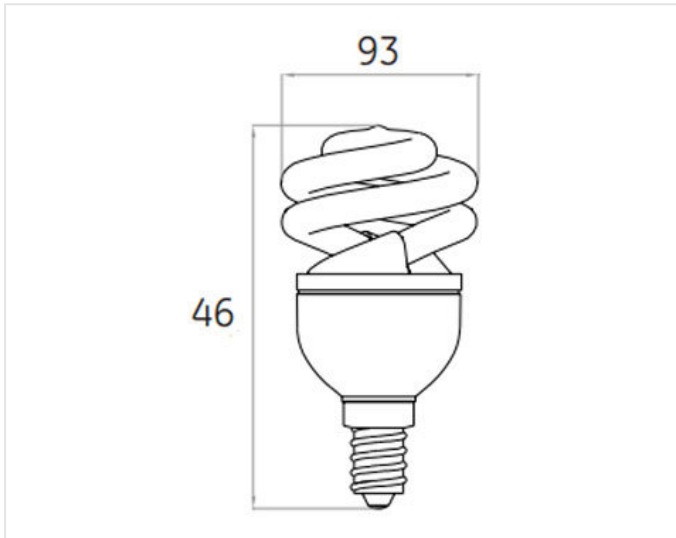
Electrical data

| | |
|----------------------------------|-------------|
| Nominal power [W] | 8 |
| Rated power [W] | 8,0, |
| Nominal lamp power factor | $\geq 0,55$ |
| Nominal lamp voltage [V] | 230 |
| Operating Temperature [°C] | 25 |
| Operating Temperature (MAX) [°C] | 50 |
| Startup time [sec] | 0.3 |
| Run-up time (sec) | < 40 |
| Starting time (sec) | < 0,3 |
| Number of switching cycles | 8000 |
| Dimming Capability | No |

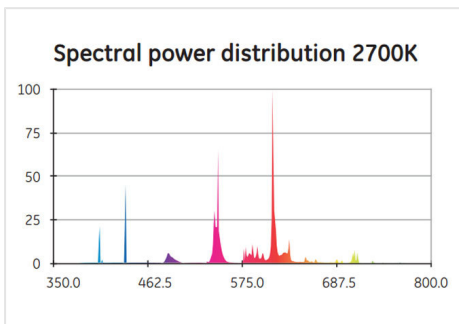
Logistic data

| | |
|--------------------------|----------------------|
| DUN Code | 10043168856376 |
| EAN Code | 0043168856379 |
| Pack Quantity | 8 |
| Inner pack type | BOX |
| Outer pack type | OUTER BOX |
| Layer quantity | 240 EUR, 304 UK |
| Layer quantity EUR | 240 |
| Layer quantity UK | 304 |
| Pallet quantity EUR (PC) | 2160 |
| Pallet quantity UK (PC) | 2736 |
| Outer case size | 228 x 130 x 113 (mm) |
| Product status | Available |

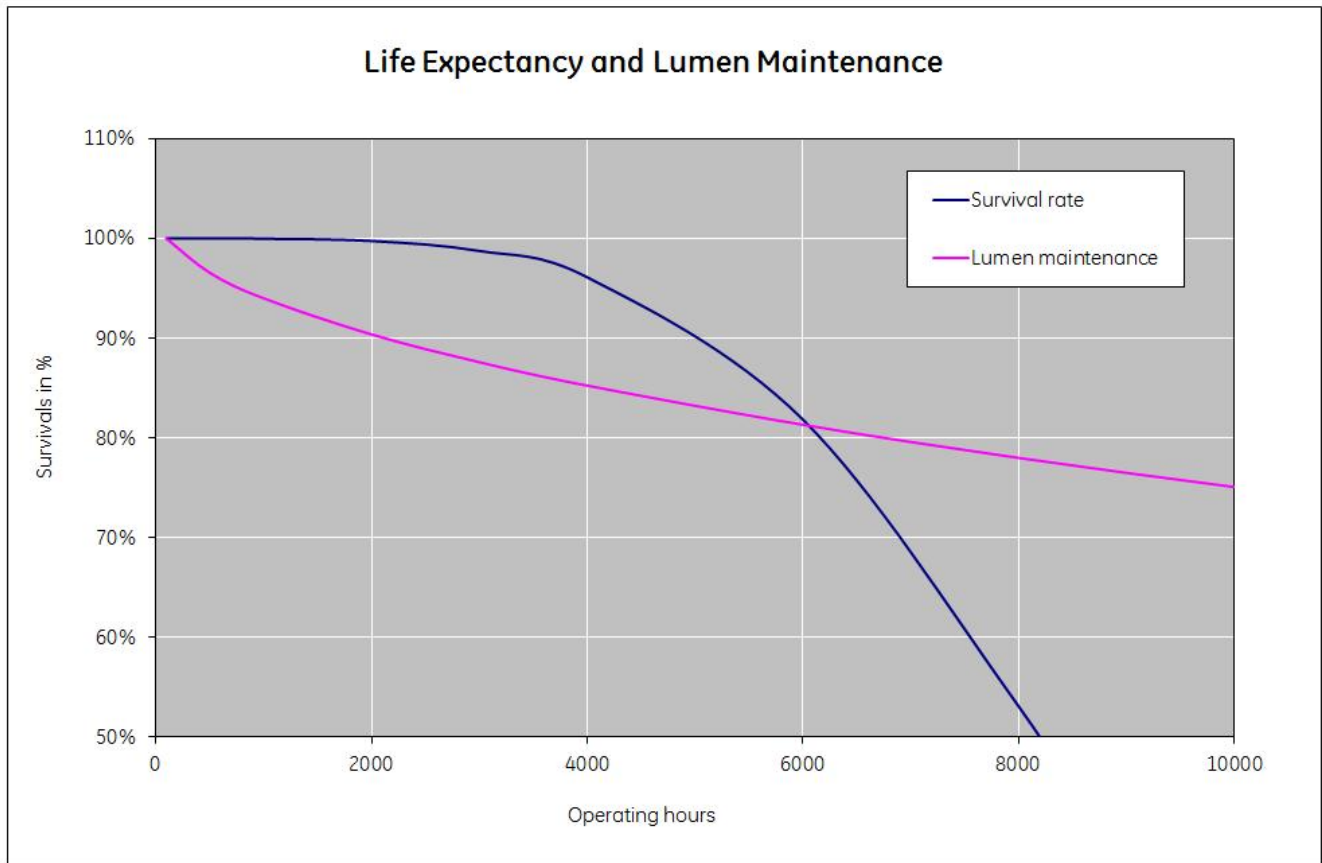
Technical drawing



Spectral distribution



Survival data



Downloads & Links

[Go to the catalog site \(HTTP\)](#)

[CFL Integrated Spectrum Catalogue \(PDF\)](#)

[T2 Spiral 8000/10000 Hours Datasheet \(PDF\)](#)

[Disposing and Cleaning of CFL Lamps \(HTTP\)](#)

[Lighting design tools & calculators \(HTTP\)](#)

[CFL Integrated Spectrum Catalogue \(PDF\)](#)

[Datasheets \(HTTP\)](#)

[Lighting design tools & calculators \(HTTP\)](#)

[Disposing and Cleaning of CFL Lamps \(HTTP\)](#)

[High-res images / Technical drawings \(HTTP\)](#)

[Certificate for the Quality Management System of GE Lighting EMEA \(PDF\)](#)

[Certificate for the Environmental Management System of GE Lighting EMEA \(PDF\)](#)