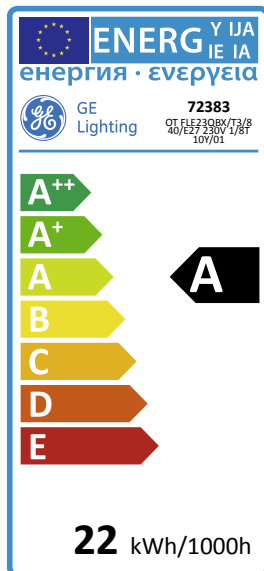




GE  
Lighting



22  
kWh/1000h

A  
energy class

61  
lumens/watt

## Stick T3 Mini - 10,000 hours - upgraded design

OT FLE23QBX/T3/840/E27 230V 1/8T  
10Y/01

# 72383

### Product information

The T3 10,000 hours Mini stick range offers low energy consumption in a compact size, along with additional benefits such as instant light-on and fast warm-up. Stick shaped lamps provide an energy saving alternative for almost all applications where incandescent bulbs are currently used – ensuring excellent light quality and reliable energy savings.

### Application areas



Home



Office



## Product data

Cap/Base	E27
Bulb Shape	Oct
Bulb maximum overall diameter [mm]	51
Nominal Length [mm]	153
Maximum Overall Length [mm]	153
Net weight per piece [g]	93
Gross weight per piece [g]	143
Operating position	U - Universal
Mercury Content [mg]	2
UV radiance	exempt
Regulatory comment	EUP related
Brand	General Electric (GE)

## Performance data

Colour Code	840
Colour Rendering Index (CRI) [Ra]	82
Nominal correlated colour temperature (CCT) [K]	4000
Nominal lumens [lm]	1400
Rated Lumens [lm]	1400
Energy efficiency class (EEC)	A
Rated Life [h]	10000
Weighted energy consumption [kWh/1000h]	22

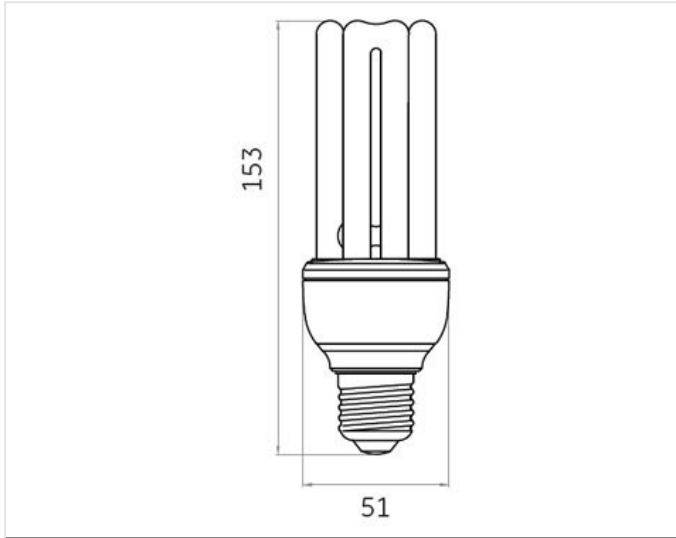
## Electrical data

Nominal power [W]	23
Rated power [W]	23.0
Nominal lamp power factor	$\geq 0,55$
Nominal lamp voltage [V]	230
Lamp Current [A]	0.18
Operating Temperature (MAX) [°C]	40
Starting ambient temperature range	-10
Startup time [sec]	1
Run-up time (sec)	< 40
Starting time (sec)	< 1
Number of switching cycles	30000
Dimming Capability	No

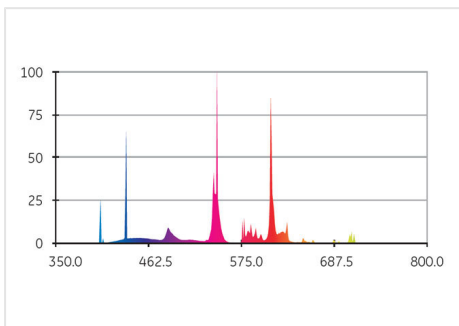
## Logistic data

DUN Code	10043168723838
EAN Code	0043168723831
Pack Quantity	8
Inner pack type	BOX
Outer pack type	TRAY OUTER
Layer quantity	280 EUR, 320 UK
Layer quantity EUR	280
Layer quantity UK	320
Pallet quantity EUR (PC)	1680
Pallet quantity UK (PC)	1920
Outer case size	227 x 116 x 171 (mm)
Product status	Available

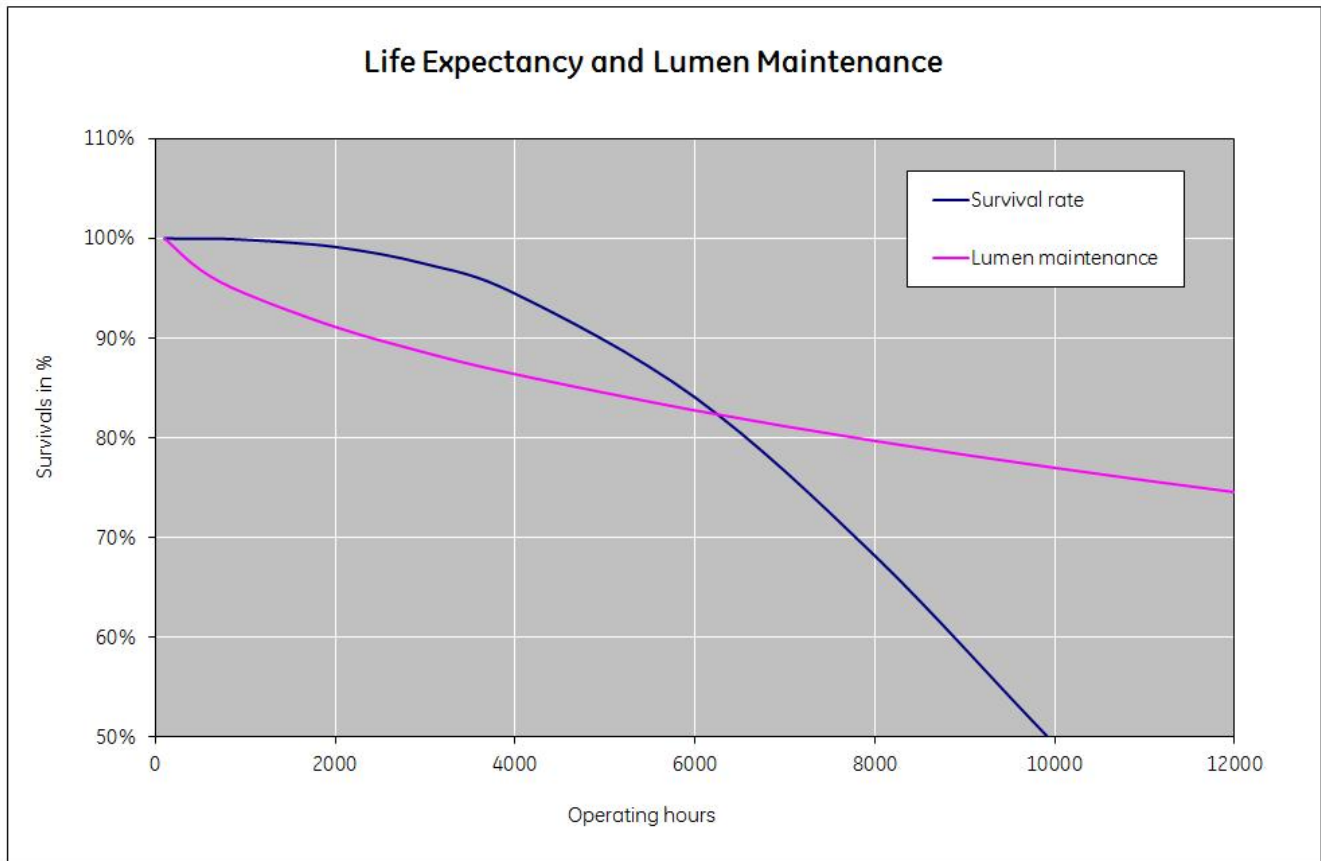
### Technical drawing



### Spectral distribution



## Survival data



## Downloads & Links

[Go to the catalog site \(HTTP\)](#)

[CFL Integrated Spectrum Catalogue \(PDF\)](#)

[T3 Stick Mini 10000 Hours Datasheet \(PDF\)](#)

[Disposing and Cleaning of CFL Lamps \(HTTP\)](#)

[Lighting design tools & calculators \(HTTP\)](#)

[Datasheets \(HTTP\)](#)

[High-res images / Technical drawings \(HTTP\)](#)

[Certificate for the Quality Management System of GE Lighting EMEA \(PDF\)](#)

[Certificate for the Environmental Management System of GE Lighting EMEA \(PDF\)](#)