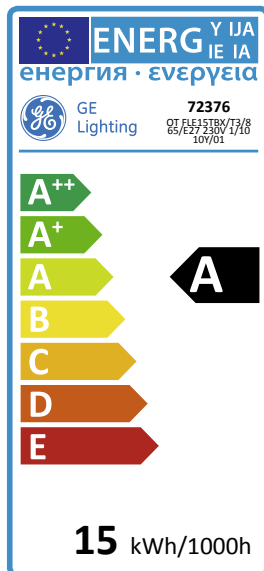




GE  
Lighting



15  
kWh/1000h

A  
energy class

54  
lumens/watt

Stick T3 Mini - 10,000 hours  
- upgraded design

OT FLE15TBX/T3/865/E27 230V 1/10  
10Y/01

**72376**

## Product information

The T3 10,000 hours Mini stick range offers low energy consumption in a compact size, along with additional benefits such as instant light-on and fast warm-up. Stick shaped lamps provide an energy saving alternative for almost all applications where incandescent bulbs are currently used – ensuring excellent light quality and reliable energy savings.

## Application areas



Home



Office



WORLDWIDE PARTNER

## Product data

Cap/Base	E27
Bulb Shape	Hex
Bulb maximum overall diameter [mm]	44.5
Nominal Length [mm]	134
Net weight per piece [g]	67
Gross weight per piece [g]	102
Operating position	U - Universal
Mercury Content [mg]	2
UV radiance	exempt
Regulatory comment	EUP related
Brand	General Electric (GE)

## Performance data

Colour Code	865
Colour Rendering Index (CRI) [Ra]	82
Nominal correlated colour temperature (CCT) [K]	6500
Nominal lumens [lm]	810
Rated Lumens [lm]	810
Energy efficiency class (EEC)	A
Rated Life [h]	10000
Weighted energy consumption [kWh/1000h]	15

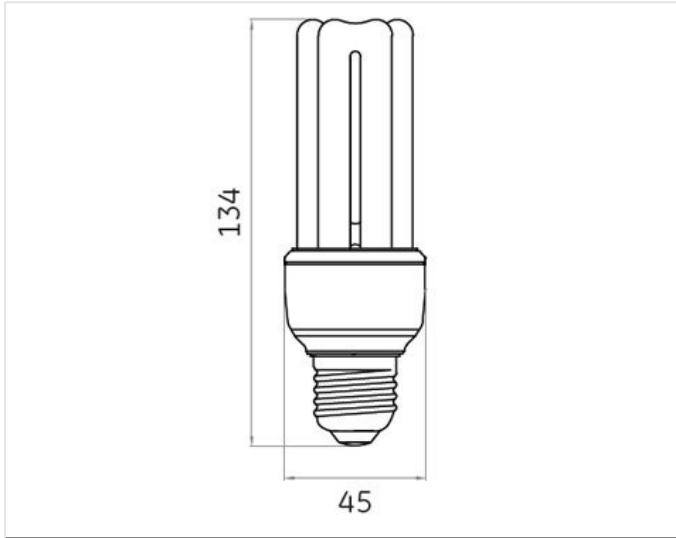
## Electrical data

Nominal power [W]	15
Rated power [W]	15.0
Nominal lamp power factor	$\geq 0,55$
Nominal lamp voltage [V]	230
Lamp Current [A]	0.12
Operating Temperature (MAX) [°C]	40
Starting ambient temperature range	-10
Startup time [sec]	1
Run-up time (sec)	< 40
Starting time (sec)	< 1
Number of switching cycles	30000
Dimming Capability	No

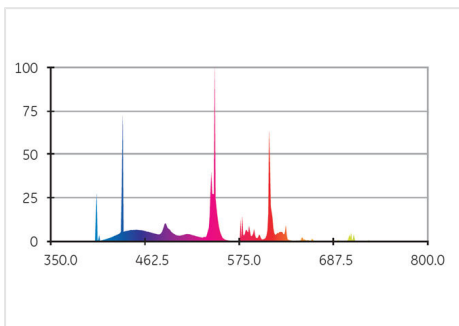
## Logistic data

DUN Code	10043168723760
EAN Code	0043168723763
Pack Quantity	10
Inner pack type	BOX
Outer pack type	OUTER BOX
Layer quantity	370 EUR, 460 UK
Layer quantity EUR	370
Layer quantity UK	460
Pallet quantity EUR (PC)	2220
Pallet quantity UK (PC)	2760
Outer case size	245 x 102 x 159 (mm)
Product status	Available

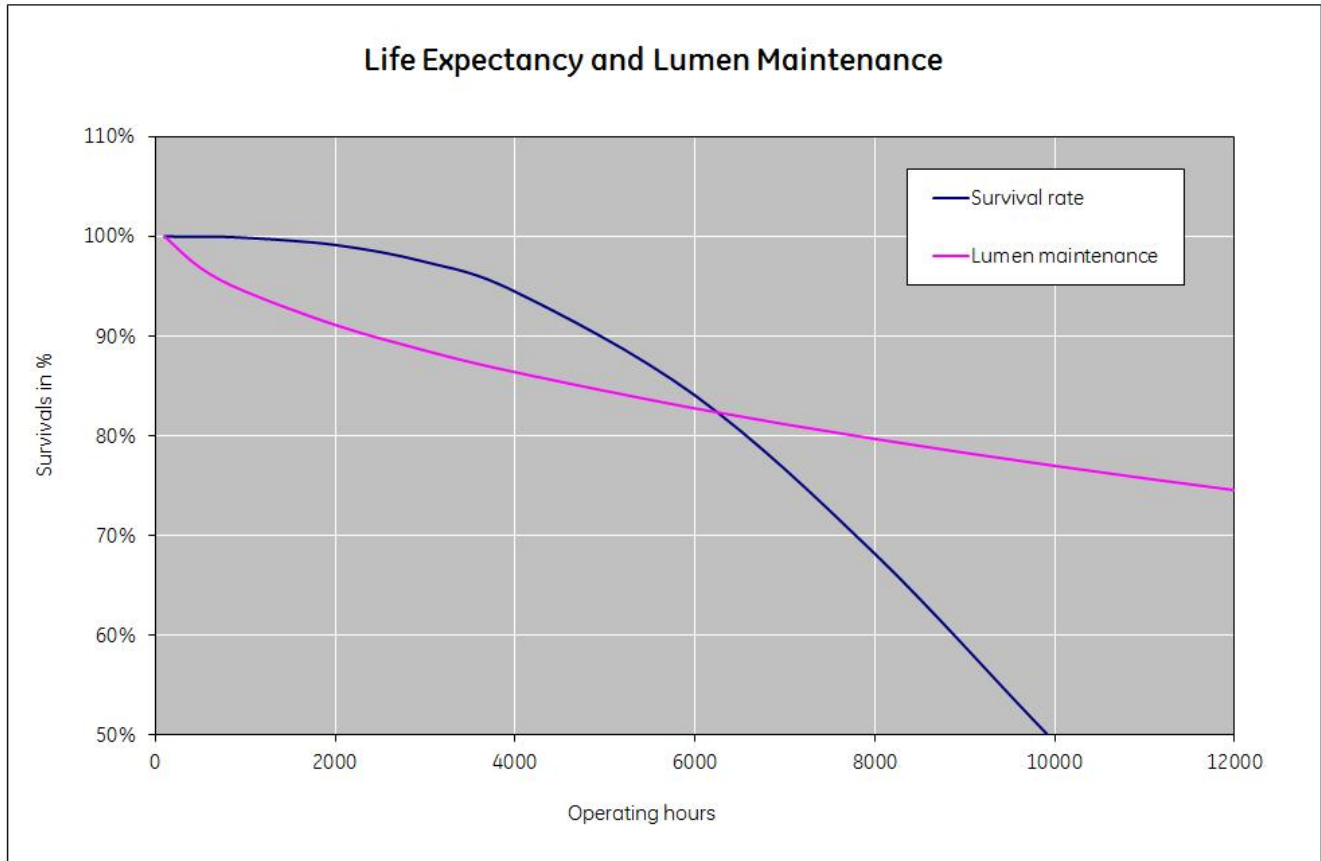
### Technical drawing



### Spectral distribution



## Survival data



## Downloads & Links

[Go to the catalog site \(HTTP\)](#)

[CFL Integrated Spectrum Catalogue \(PDF\)](#)

[T3 Stick Mini 10000 Hours Datasheet \(PDF\)](#)

[Disposing and Cleaning of CFL Lamps \(HTTP\)](#)

[Lighting design tools & calculators \(HTTP\)](#)

[Datasheets \(HTTP\)](#)

[High-res images / Technical drawings \(HTTP\)](#)

[Certificate for the Quality Management System of GE Lighting EMEA \(PDF\)](#)

[Certificate for the Environmental Management System of GE Lighting EMEA \(PDF\)](#)