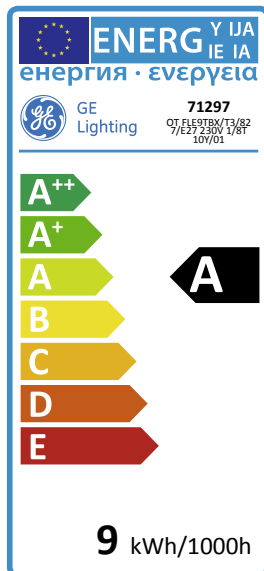




GE  
Lighting



9  
kWh/1000h

A  
energy class

52  
lumens/watt

Stick T3 Mini - 10,000 hours  
- upgraded design

OT FLE9TBX/T3/827/E27 230V 1/8T 10Y/01

**71297**

## Product information

The T3 10,000 hours Mini stick range offers low energy consumption in a compact size, along with additional benefits such as instant light-on and fast warm-up. Stick shaped lamps provide an energy saving alternative for almost all applications where incandescent bulbs are currently used – ensuring excellent light quality and reliable energy savings.

## Application areas



Home



Office



WORLDWIDE PARTNER

## Product data

Cap/Base	E27
Bulb Shape	Hex
Bulb maximum overall diameter [mm]	44.5
Nominal Length [mm]	111
Maximum Overall Length [mm]	111
Net weight per piece [g]	56
Gross weight per piece [g]	90
Operating position	U - Universal
Mercury Content [mg]	2
UV radiance	exempt
Regulatory comment	EUP related
Brand	General Electric (GE)

## Performance data

Colour Code	827
Colour Rendering Index (CRI) [Ra]	82
Nominal correlated colour temperature (CCT) [K]	2700
Nominal lumens [lm]	470
Rated Lumens [lm]	470
Energy efficiency class (EEC)	A
Rated Life [h]	10000
Weighted energy consumption [kWh/1000h]	9

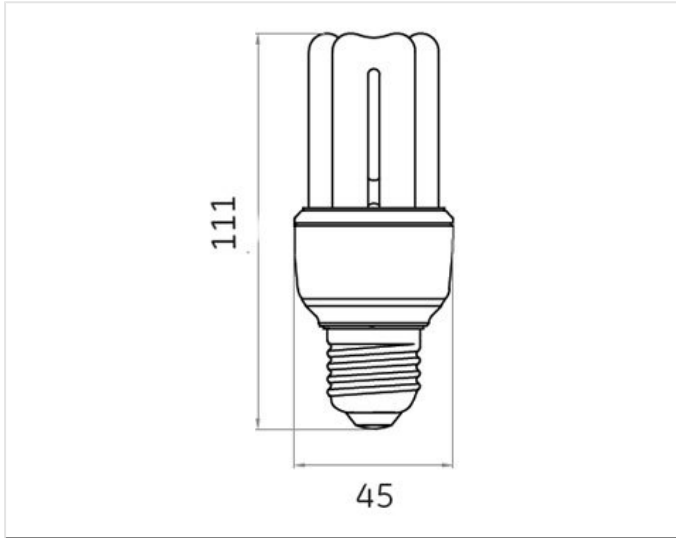
## Electrical data

Nominal power [W]	9
Rated power [W]	9.0
Nominal lamp power factor	$\geq 0,55$
Nominal lamp voltage [V]	230
Lamp Current [A]	0.075
Operating Temperature (MAX) [°C]	40
Starting ambient temperature range	-10
Startup time [sec]	1.5
Run-up time (sec)	< 40
Starting time (sec)	< 1,5
Number of switching cycles	30000
Dimming Capability	No

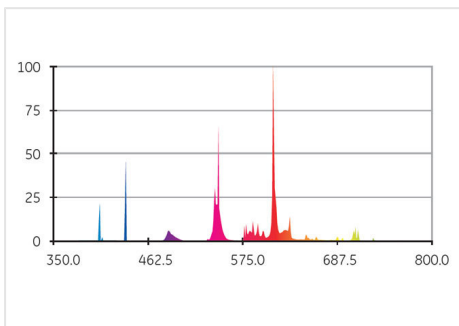
## Logistic data

DUN Code	10043168712979
EAN Code	0043168712972
Pack Quantity	8
Inner pack type	BOX
Outer pack type	TRAY OUTER
Layer quantity	304 EUR, 392 UK
Layer quantity EUR	304
Layer quantity UK	392
Pallet quantity EUR (PC)	2432
Pallet quantity UK (PC)	3136
Outer case size	202 x 103 x 130 (mm)
Product status	Available

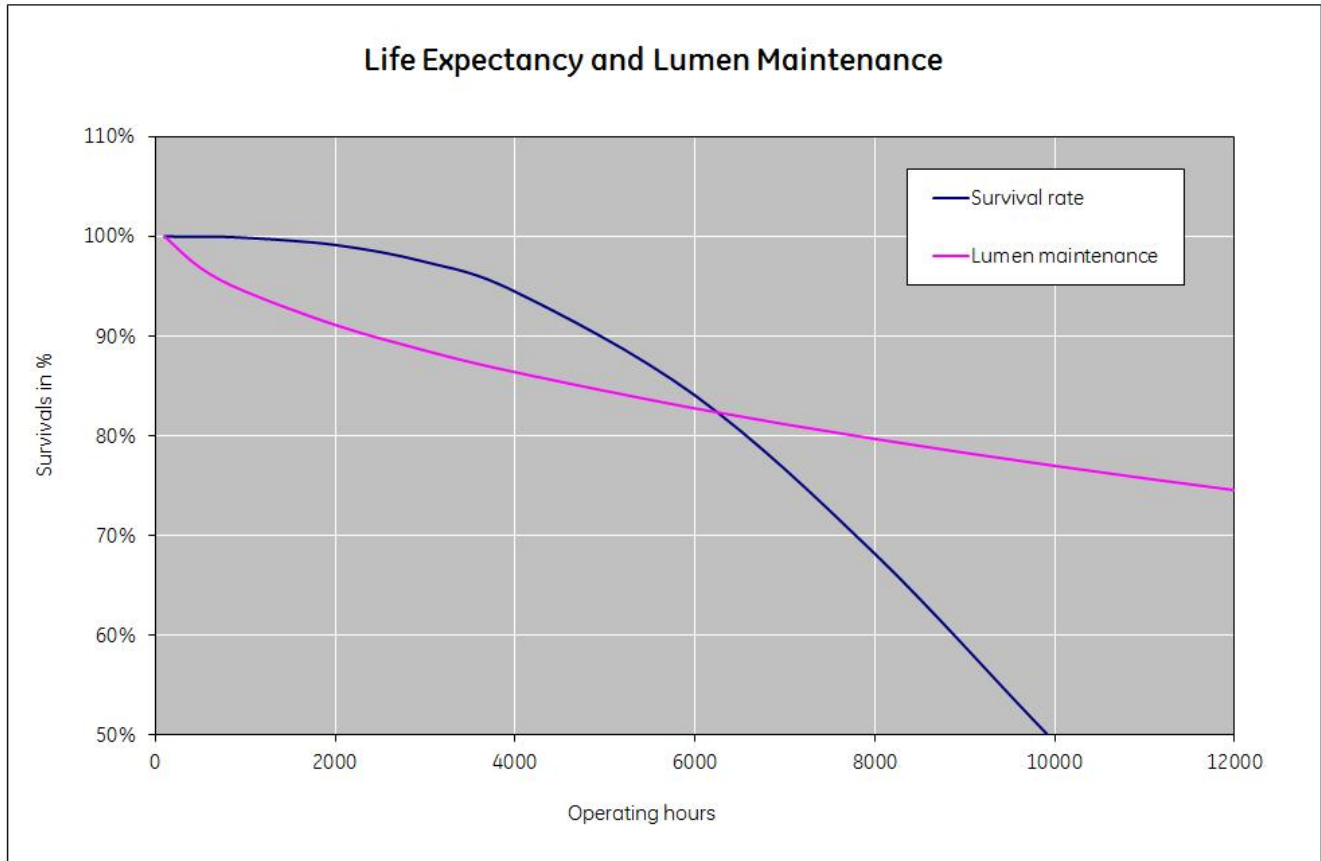
### Technical drawing



### Spectral distribution



## Survival data



## Downloads & Links

[Go to the catalog site \(HTTP\)](#)

[CFL Integrated Spectrum Catalogue \(PDF\)](#)

[T3 Stick Mini 10000 Hours Datasheet \(PDF\)](#)

[Disposing and Cleaning of CFL Lamps \(HTTP\)](#)

[Lighting design tools & calculators \(HTTP\)](#)

[Datasheets \(HTTP\)](#)

[High-res images / Technical drawings \(HTTP\)](#)

[Certificate for the Quality Management System of GE Lighting EMEA \(PDF\)](#)

[Certificate for the Environmental Management System of GE Lighting EMEA \(PDF\)](#)