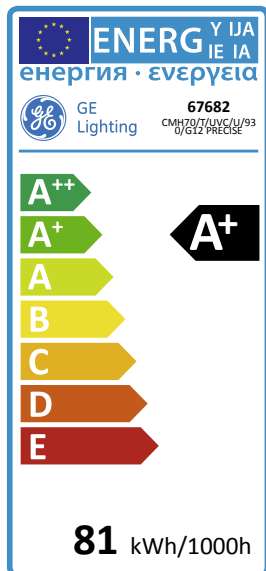




GE  
Lighting



81  
kWh/1000h

A+  
energy class

111  
lumens/watt

## ConstantColor™ CMH Single Ended CMH70/T/UVC/U/930/G12 PRECISE **67682**

### Product information

GE's low watt **CMH lamps** have opened new possibilities for lighting design, combining the power and light quality of far larger and less efficient lamps. It is now possible to achieve lighting design that could not be achieved previously with inferior technologies. GE's new **ConstantColor™ CMH Precise™** technology platform has been developed with specific focus to retail applications. GE Precise™ technology offers superb overall light quality, outstanding lumen maintenance, improved efficacy, while maintaining long life and reliability. These qualities are why GE is the leader in ceramic metal halide technology.

### Application areas



Retail



Industrial



## Product data

Cap/Base	G12
Bulb Shape	Tubular
Bulb Finish	Clear
Bulb Diameter [mm]	19
Maximum Overall Length [mm]	90
Light Center Length [mm]	56
Net weight per piece [g]	26
Gross weight per piece [g]	42
Operating position	U - Universal
Mercury Content [mg]	5.4
UV radiance	Exempt
Brand	General Electric (GE)

## Performance data

Colour Code	930
Colour Rendering Index (CRI) [Ra]	88
Nominal correlated colour temperature (CCT) [K]	3000
Nominal lumens [lm]	7800
Rated Lumens [lm]	8027
Nominal efficacy [LpW]	111
Rated efficacy [LpW]	109.9
Energy efficiency class (EEC)	A+
Rated average life [h]	18000
Nominal chromaticity coordinate X	0.435
Nominal chromaticity coordinate Y	0.397
Weighted energy consumption [kWh/1000h]	80.3

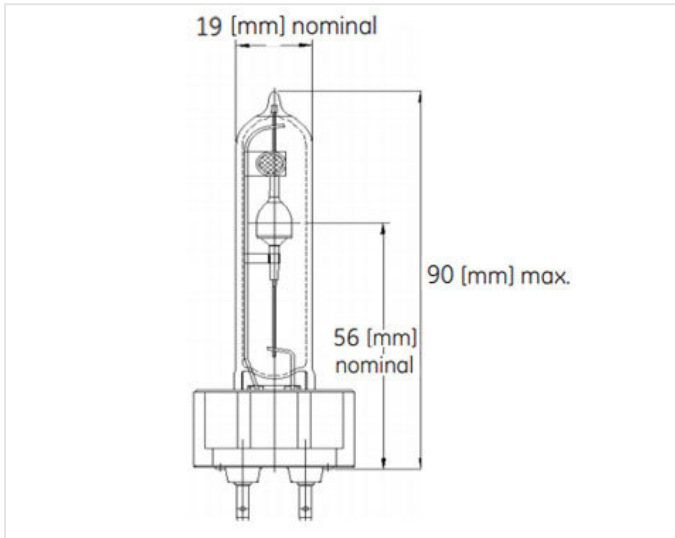
## Electrical data

Nominal power [W]	70
Rated power [W]	73.0
Nominal lamp voltage [V]	85
Lamp Current [A]	0.86
Design Ambient Temperature [°C]	25
Run-up time (sec)	< 2
Hot restart time (sec)	< 9
Dimming Capability	No
Ballast Required	Yes

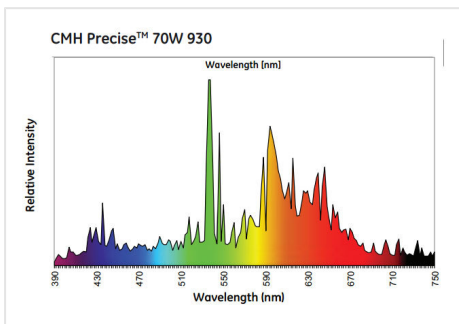
## Logistic data

DUN Code	10043168676820
EAN Code	0043168676823
Pack Quantity	12
Inner pack type	BOX
Outer pack type	OUTER BOX
Layer quantity	924 EUR, 1176 UK
Layer quantity EUR	924
Layer quantity UK	1176
Pallet quantity EUR (PC)	2772
Pallet quantity UK (PC)	3528
Outer case size	138 x 82 x 118 (mm)
Product status	Available

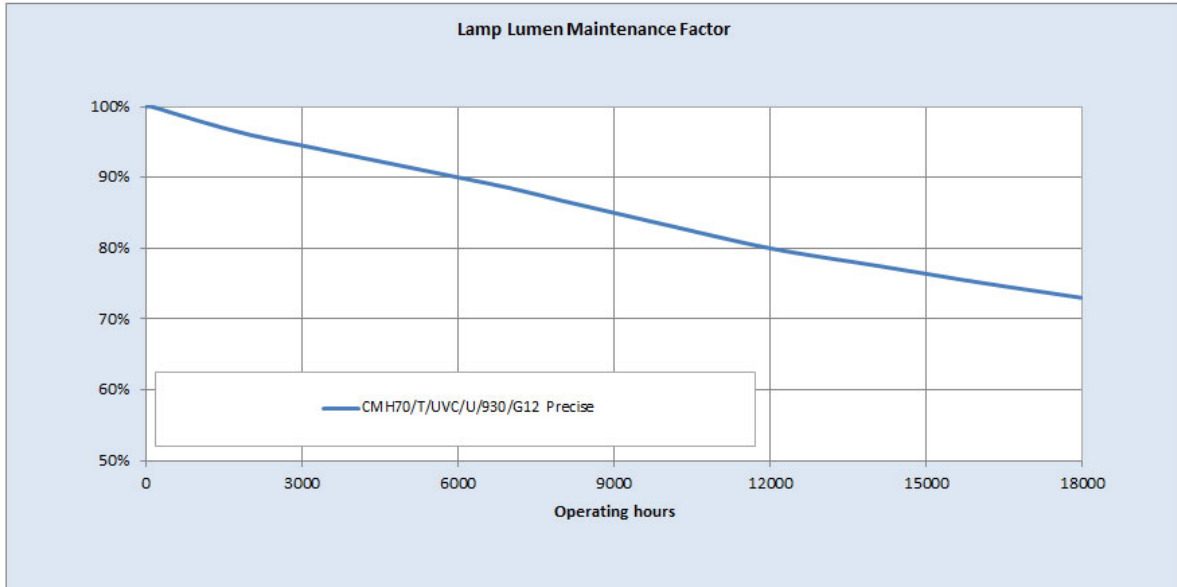
## Technical drawing



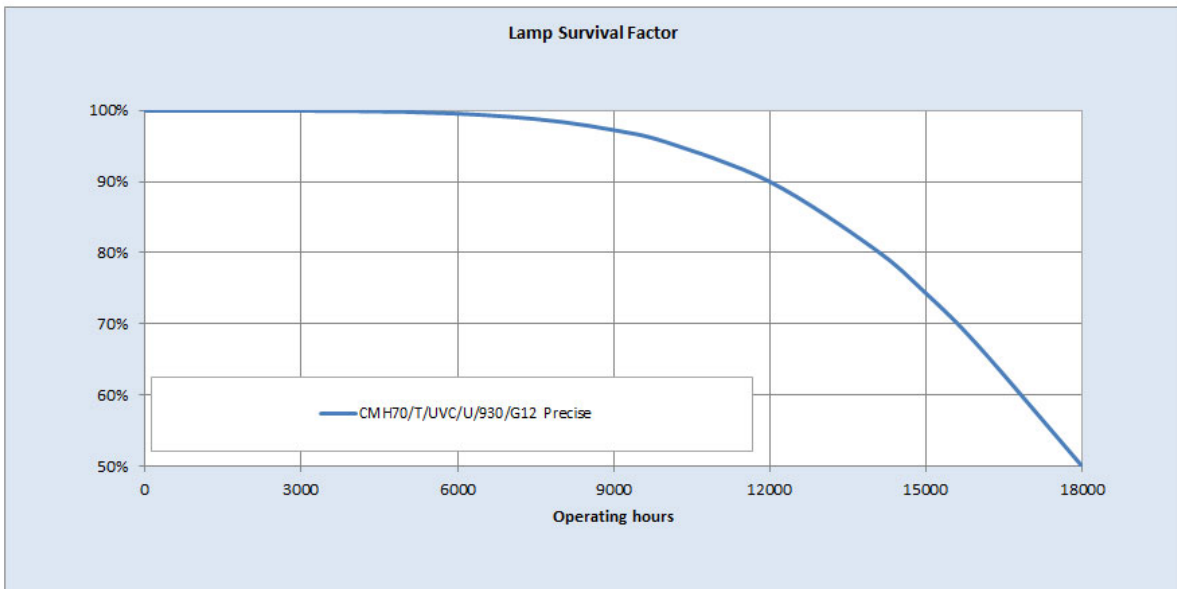
## Spectral distribution



### Lumen maintenance data



### Survival data



## Downloads & Links

[Go to the catalog site \(HTTP\)](#)

[HID Lamps Spectrum Catalogue \(EN\) \(PDF\)](#)

[ConstantColor™ CMH G8.5 and G12 Precise™ Datasheet \(PDF\)](#)

[ConstantColor™ CMH Precise Lamps Brochure \(PDF\)](#)

[ConstantColor™ White Light CMH Brochure \(PDF\)](#)

[ConstantColor™ CMH Ultra Brochure \(PDF\)](#)

[Lighting design tools & calculators \(HTTP\)](#)

[High-res images / Technical drawings \(HTTP\)](#)

[Certificate for the Quality Management System of GE Lighting EMEA \(PDF\)](#)

[Certificate for the Environmental Management System of GE Lighting EMEA \(PDF\)](#)