



GE
Lighting



12
kWh/1000h

A
energy class

GE Energy Smart™ R111 LED12/R111/827/12V/G53/35 BX 1/10 **11540**

Product information

This range presents a great opportunity for substantial energy savings with replacements for 50W and 75W halogen consuming only 7W and 12W power. Further, relevant reduction of maintenance costs are possible with long lifetime.

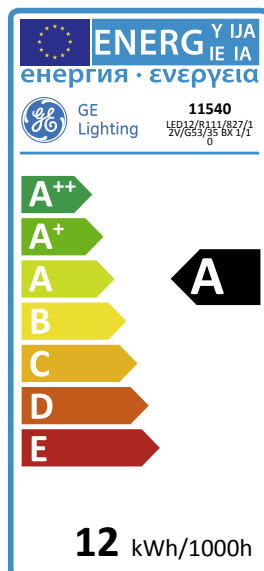
Application areas



Retail



Hospitality



Product data

Cap/Base	G53
Bulb Shape	Reflector
Bulb Finish	Coated
Bulb Diameter [mm]	111
Maximum Overall Length [mm]	59
Net weight per piece [g]	185
Gross weight per piece [g]	287
Brand	General Electric (GE)

Performance data

Nominal beam angle [°]	35
Rated beam angle [°]	35
Useful lumens (at 90° cone) [lm]	700
Energy efficiency class (EEC)	A
Rated life L70/B50 [h]	30000
Weighted energy consumption [kWh/1000h]	12

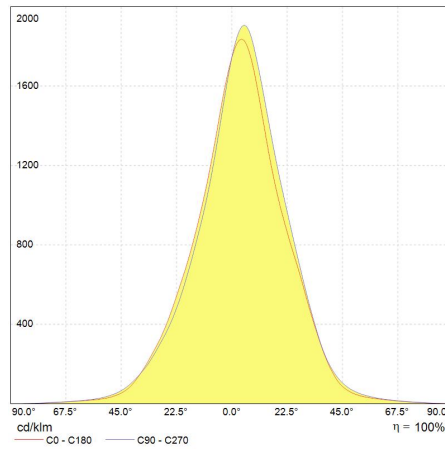
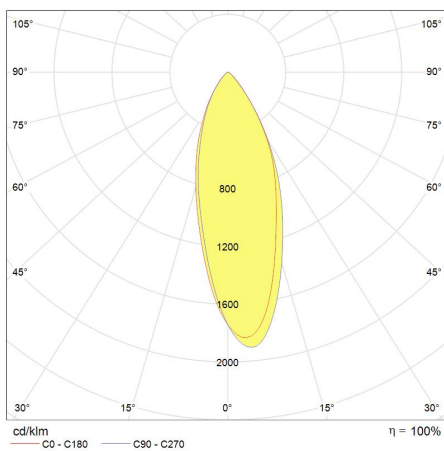
Electrical data

Nominal power [W]	12
Rated power [W]	12.0
Nominal lamp power factor	0.75
Nominal lamp voltage [V]	12
Run-up time (sec)	<0.5s
Starting time (sec)	<0.5s
Number of switching cycles	50000
Dimming Capability	No

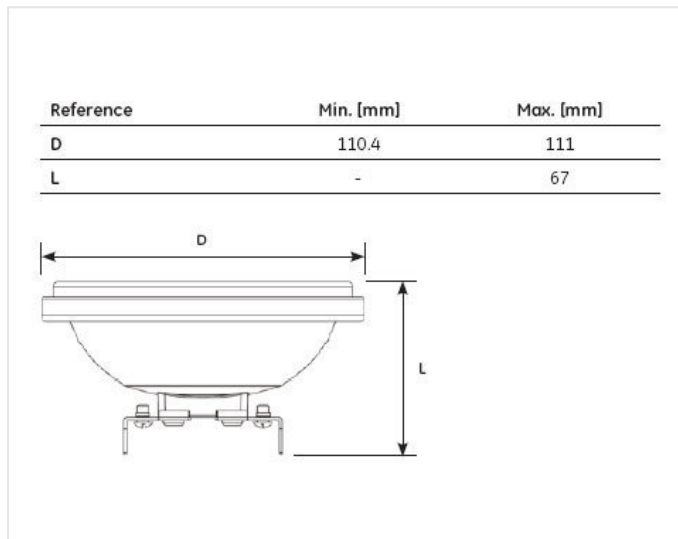
Logistic data

DUN Code	10043168115404
EAN Code	0043168115407
Pack Quantity	10
Inner pack type	BOX
Layer quantity	50 EUR, 60 UK
Layer quantity EUR	50
Layer quantity UK	60
Pallet quantity EUR (PC)	500
Pallet quantity UK (PC)	600
Outer case size	622 x 255 x 107 (mm)
Product status	Available

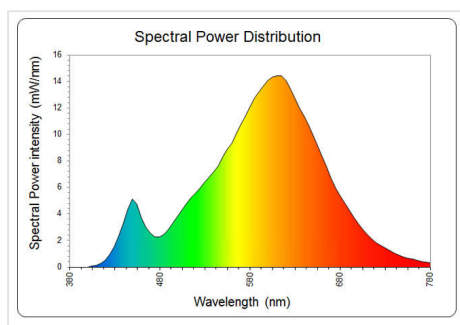
Photometric Data



Technical drawing



Spectral distribution



Downloads & Links

[Go to the catalog site \(HTTP\)](#)

[Photometry \(IES\)](#)

[LED Lighting Solutions - Catalogue \(EN\) \(PDF\)](#)

[LED R111 Lamps - Data sheet \(PDF\)](#)

[Lighting design tools & calculators \(HTTP\)](#)

[Datasheets \(HTTP\)](#)

[High-res images / Technical drawings \(HTTP\)](#)

[Certificate for the Quality Management System of GE Lighting EMEA \(PDF\)](#)

[Certificate for the Environmental Management System of GE Lighting EMEA \(PDF\)](#)