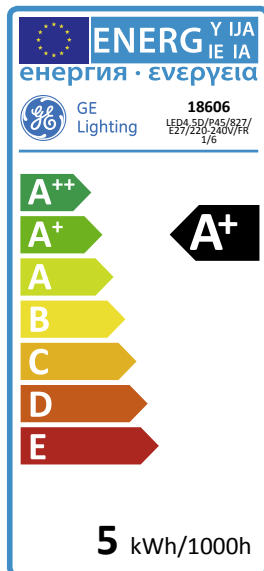




GE
Lighting



5
kWh/1000h

A+
energy class

60
lumens/watt

GE Energy Smart™ Spherical Dimmable LED4.5D/P45/827/E27/220-240V/FR 1/6 **18606**

Product information

GE's new sparkling clear and soft white finished spherical range of LED Decorative lamps offers superb performance with high quality aesthetics and great reliability. Features such as standard IEC dimensions, 20,000 hours rated life and wide dimming compatibility combine to make this a highly desirable product range for 25W and 40W Halogen lamps with only 4.5W and 6W.

Application areas



Home



Retail



Office



Hospitality



Product data

Cap/Base	E27
Bulb Shape	Spherical
Bulb Finish	White
Bulb Diameter [mm]	45
Bulb maximum overall diameter [mm]	46
Maximum Overall Length [mm]	72
Net weight per piece [g]	65
Gross weight per piece [g]	100
Brand	General Electric (GE)

Performance data

Colour Rendering Index (CRI) [Ra]	80
Nominal correlated colour temperature (CCT) [K]	2700
Nominal lumens [lm]	270
Rated Lumens [lm]	270
Nominal useful lumens [lm]	270
Energy efficiency class (EEC)	A+
Rated life L70/B50 [h]	20000
Weighted energy consumption [kWh/1000h]	4.5

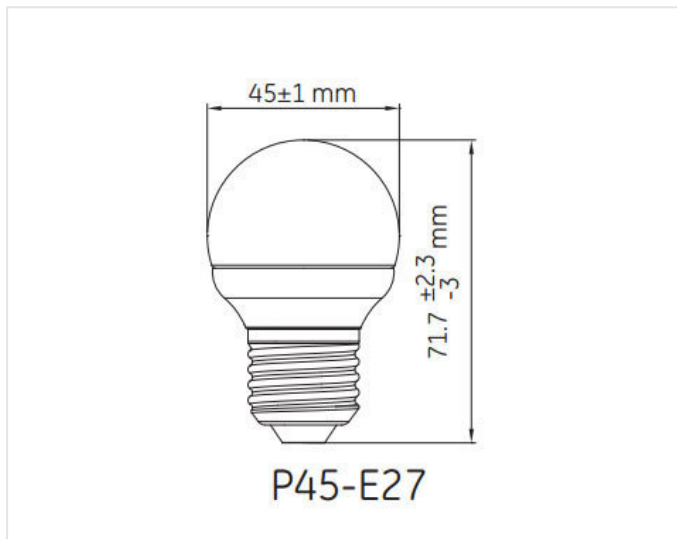
Electrical data

Nominal power [W]	4.5
Rated power [W]	4.5
Nominal lamp power factor	0.9
Nominal lamp voltage [V]	230
Lamp Current [A]	0.03
Operating Temperature (MAX) [°C]	49.9
Run-up time (sec)	<0.5
Starting time (sec)	<0.5
Number of switching cycles	40000
Dimming Capability	Yes

Logistic data

DUN Code	10043168186060
EAN Code	0043168186063
Pack Quantity	6
Inner pack type	HANGING BOX
Outer pack type	TRAY OUTER
Layer quantity	192 EUR, 240 UK
Layer quantity EUR	192
Layer quantity UK	240
Pallet quantity EUR (PC)	1344
Pallet quantity UK (PC)	1680
Outer case size	290 x 193 x 136 (mm)
Product status	Available

Technical drawing



Downloads & Links

[Go to the catalog site \(HTTP\)](#)

[Product datasheet \(PDF\)](#)

[Dimming compatibility \(HTTP\)](#)

[LED Lighting Solutions - Catalogue \(EN\) \(PDF\)](#)

[Lighting design tools & calculators \(HTTP\)](#)

[Datasheets \(HTTP\)](#)

[High-res images / Technical drawings \(HTTP\)](#)

[Certificate for the Quality Management System of GE Lighting EMEA \(PDF\)](#)

[Certificate for the Environmental Management System of GE Lighting EMEA \(PDF\)](#)