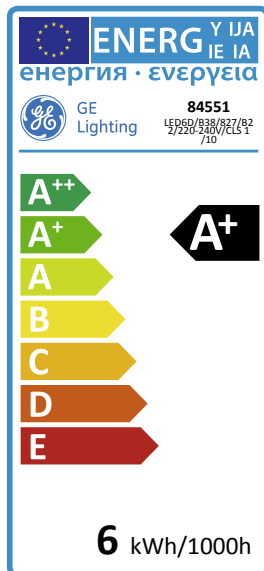




GE
Lighting



6
kWh/1000h

A+
energy class

78
lumens/watt

GE Energy Smart™ Candle Dimmable

LED6D/B38/827/B22/220-240V/CLS 1/10

84551

Product information

GE's new sparkling clear and soft white finished candle range of LED Decorative lamps offers superb performance with high quality aesthetics and great reliability. Features such as standard IEC dimensions, 20,000 hours rated life and wide dimming compatibility combine to make this a highly desirable product range for 25W and 40W Halogen lamps with only 4.5W and 6W.

Application areas



Home



Retail



Office



Hospitality



Product data

Cap/Base	B22
Bulb Shape	Candle
Bulb Finish	Clear
Bulb maximum overall diameter [mm]	38
Maximum Overall Length [mm]	106
Gross weight per piece [g]	90
Mercury Content [mg]	70
Brand	General Electric (GE)

Performance data

Colour Rendering Index (CRI) [Ra]	80
Nominal correlated colour temperature (CCT) [K]	2700
Colour consistency	6 steps
Nominal lumens [lm]	470
Nominal useful lumens [lm]	470
Useful lumens (at 90° cone) [lm]	470
Rated useful lumens [lm]	470
Energy efficiency class (EEC)	A+
Rated life L70/B50 [h]	20000
Weighted energy consumption [kWh/1000h]	6

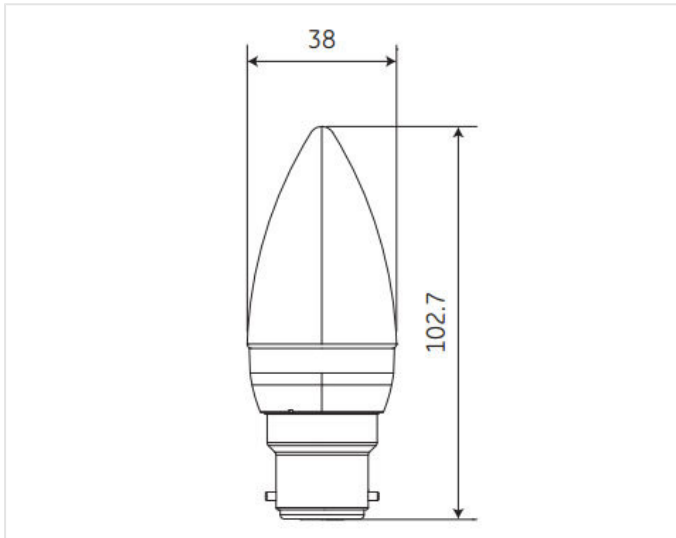
Electrical data

Nominal power [W]	6
Rated power [W]	6.0
Nominal lamp power factor	0.6
Nominal lamp voltage [V]	230
Lamp Current [A]	50mA
Operating Temperature (MAX) [°C]	40
Run-up time (sec)	<2s
Starting time (sec)	<0.5s
Number of switching cycles	50000
Dimming Capability	Yes

Logistic data

DUN Code	10043168845516
EAN Code	0043168845519
Pack Quantity	10
Inner pack type	HANGING BOX
Outer pack type	TRAY OUTER
Layer quantity	240 EUR, 240 UK
Layer quantity UK	240
Pallet quantity EUR (PC)	1440
Pallet quantity UK (PC)	1440
Outer case size	251x120x135 mm
Product status	Available

Technical drawing



Downloads & Links

[Go to the catalog site \(HTTP\)](#)

[Product datasheet \(PDF\)](#)

[LED Lighting Solutions - Catalogue \(PDF\)](#)

[Lighting design tools & calculators \(HTTP\)](#)

[Datasheets \(HTTP\)](#)

[High-res images / Technical drawings \(HTTP\)](#)

[Certificate for the Quality Management System of GE Lighting EMEA \(PDF\)](#)

[Certificate for the Environmental Management System of GE Lighting EMEA \(PDF\)](#)