



GE
Lighting



-1

kWh/1000h

A++

energy class

77

lumens/watt

GE Start GU10

LED3/GU10/827/100-240V/35/BX 1/8

84602

Product information

This new entry level range of highly competitive LED GU10 products consume only 3W and 4.5W respectively and offer a fantastic energy saving alternative to 35W and 50W Halogen GU10 lamps.

Application areas



Home



Retail



Office



Hospitality



WORLDWIDE PARTNER

Product data

Cap/Base	GU10
Bulb Shape	PAR
Bulb Finish	Silver
Bulb Diameter [mm]	50
Bulb maximum overall diameter [mm]	50.2
Maximum Overall Length [mm]	57
Net weight per piece [g]	30
Gross weight per piece [g]	63
Brand	General Electric (GE)

Performance data

Colour Rendering Index (CRI) [Ra]	80
Nominal correlated colour temperature (CCT) [K]	2700
Colour consistency	6 steps
Nominal beam angle [°]	35
Rated beam angle [°]	35
Nominal center beam candlepower (CBCP) [cd]	550
Rated peak intensity in [Cd]	550
Nominal lumens [lm]	230
Useful lumens (at 90° cone) [lm]	230
Rated useful lumens [lm]	240
Energy efficiency class (EEC)	A++
Rated life L70/B50 [h]	15000

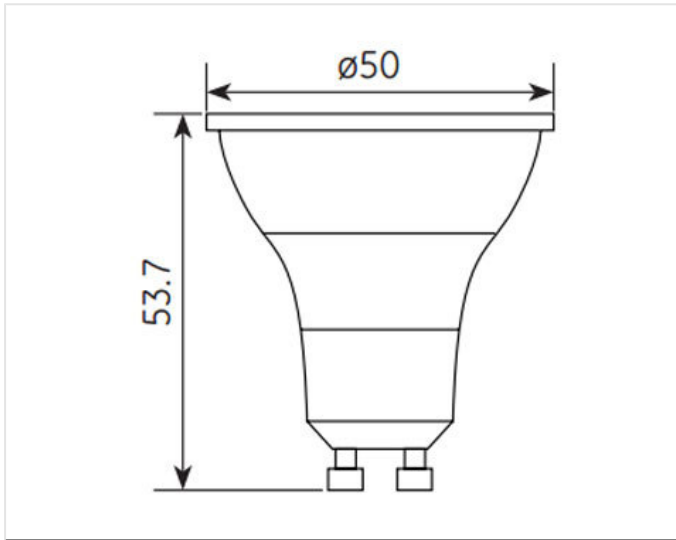
Electrical data

Nominal power [W]	3
Rated power [W]	5.0
Nominal lamp power factor	0.5
Nominal lamp voltage [V]	230
Lamp Current [A]	45mA @120V/ 30mA@230V
Operating Temperature (MAX) [°C]	40
Run-up time (sec)	<1s
Starting time (sec)	<0.2s
Warm up time up to 60% of full light output	3
Number of switching cycles	25000
Dimming Capability	No

Logistic data

DUN Code	10043168846025
EAN Code	0043168846028
Pack Quantity	8
Inner pack type	HANGING BOX
Outer pack type	TRAY OUTER
Layer quantity	216 EUR, 312 UK
Layer quantity EUR	216
Layer quantity UK	312
Pallet quantity EUR (PC)	2808
Pallet quantity UK (PC)	4056
Outer case size	230x118x70 mm
Product status	Available

Technical drawing



Downloads & Links

[Go to the catalog site \(HTTP\)](#)

[LED Lighting Solutions - Catalogue \(PDF\)](#)

[Lighting design tools & calculators \(HTTP\)](#)

[Datasheets \(HTTP\)](#)

[High-res images / Technical drawings \(HTTP\)](#)

[Certificate for the Quality Management System of GE Lighting EMEA \(PDF\)](#)

[Certificate for the Environmental Management System of GE Lighting EMEA \(PDF\)](#)