



GE
Lighting

23
kWh/1000h

A
energy class

75
lumens/watt

T8 Polylux XLR™ - G13 Cap
FT8/18W/835/GE/SL1/25

62534

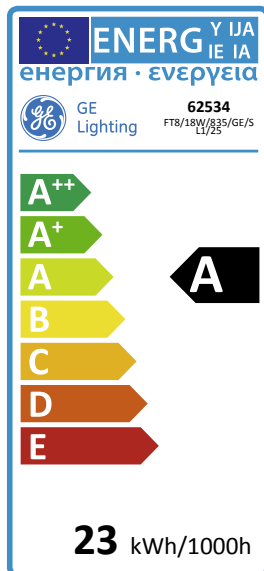


Product information

Polylux XLR™ lamps should be the natural choice for all fluorescent lighting applications. The excellent colour reproduction flatters skin tones making people appear more natural, and makes merchandise appear more vibrant and colourful.

Application areas

- Retail
- Office
- Education
- Industrial



WORLDWIDE PARTNER

Product data

Cap/Base	G13
Bulb Shape	Tubular
Bulb Diameter [mm]	26
Bulb maximum overall diameter [mm]	26
Cap to Cap Length (Max) [mm]	589.8
Net weight per piece [g]	90
Gross weight per piece [g]	116
Mercury Content [mg]	2.9
UV radiance	Exempt
Regulatory comment	EUP related
Brand	General Electric (GE)

Performance data

Colour Code	835
Colour Rendering Index (CRI) [Ra]	85
Nominal correlated colour temperature (CCT) [K]	3500
Nominal lumens [lm]	1350
Lumen at 25°C [lm]	1350
Rated efficacy [lm/W]	75
Energy efficiency class (EEC)	A
Rated Life [h]	15000
Rated median life on electromagnetic (EM) ballast on IEC 12-hour cycle	18000
Rated median life on electronic (HF) ballast on IEC 12-hour cycle	23000
Rated median life on electronic (HF) ballast on IEC 3-hour cycle	20000
Weighted energy consumption [kWh/1000h]	22.45

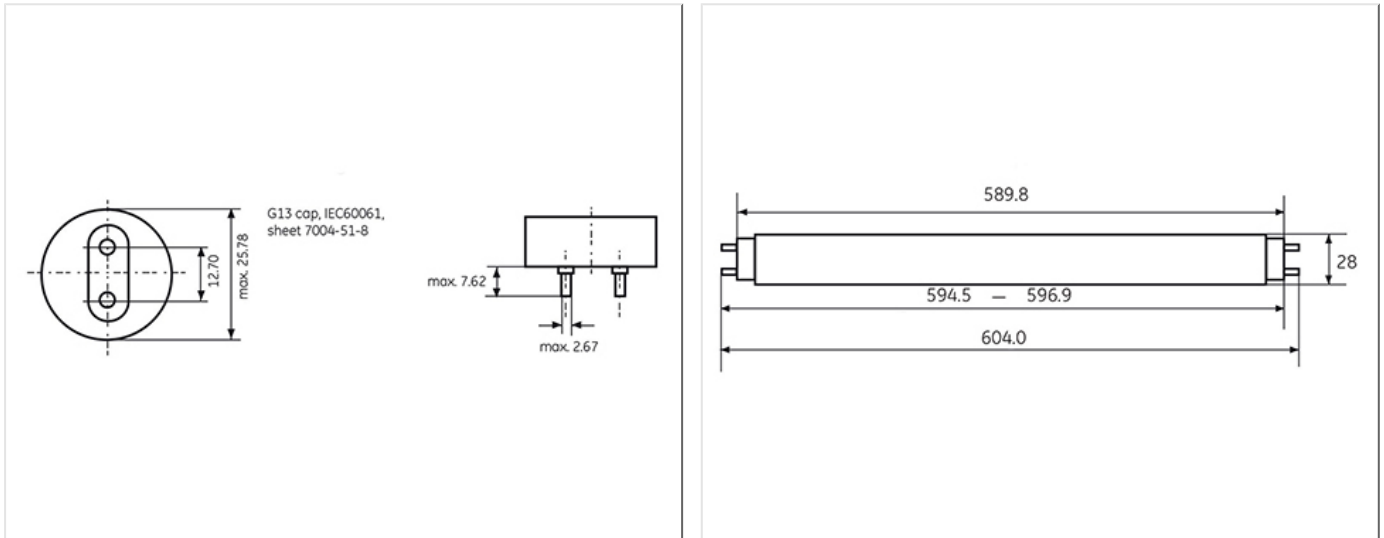
Electrical data

Nominal power [W]	18
Design Ambient Temperature [°C]	25
Design Lamp ambient temperature [°C]	25
Starting ambient temperature range	-15
Dimming Capability	Yes

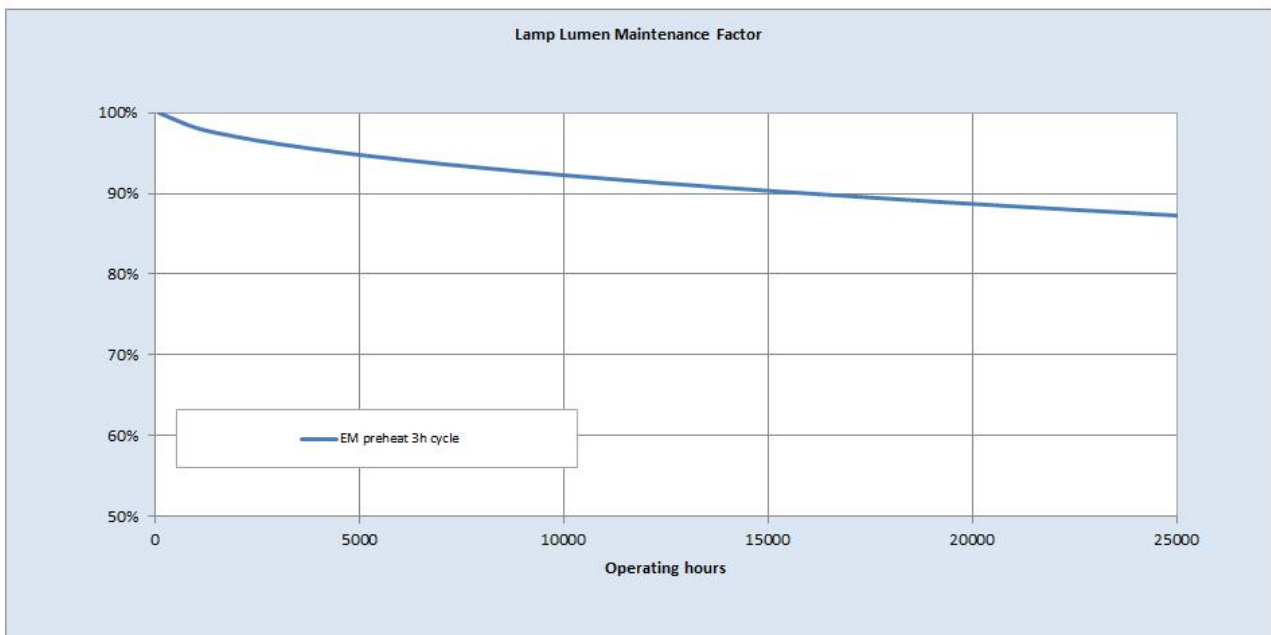
Logistic data

DUN Code	10043168625347
EAN Code	0043168376136
Pack Quantity	25
Inner pack type	SL
Outer pack type	OB
Layer quantity	250 EUR, 300 UK
Layer quantity EUR	250
Layer quantity UK	300
Pallet quantity EUR (PC)	1500
Pallet quantity UK (PC)	1800
Outer case size	630 x 150 x 145 (mm)
Product status	Available

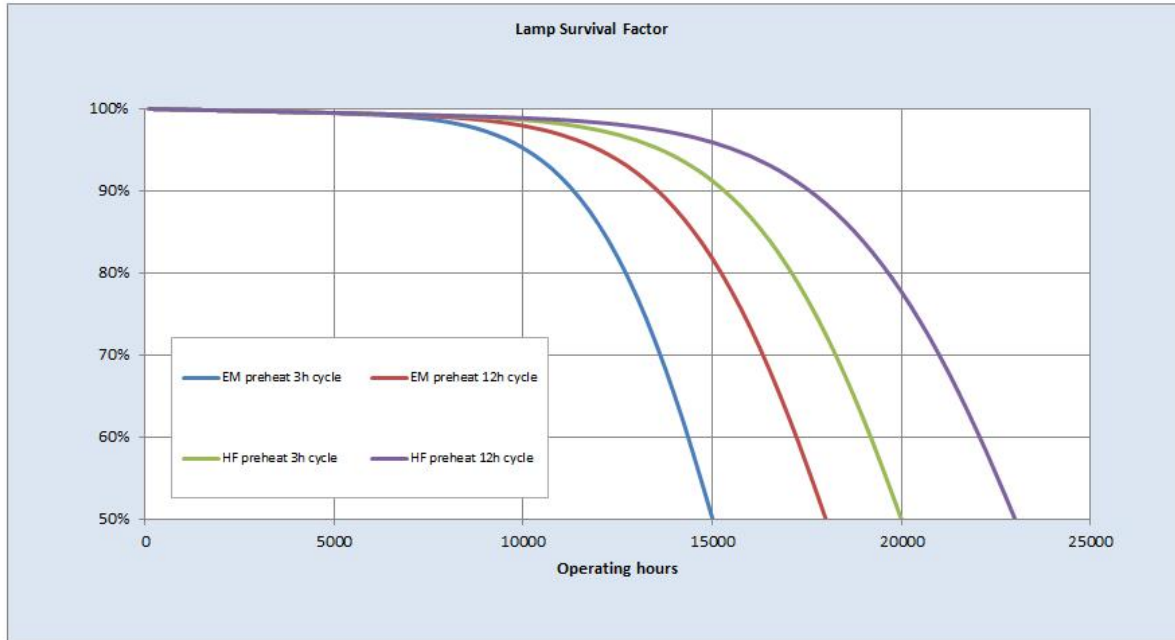
Technical drawing



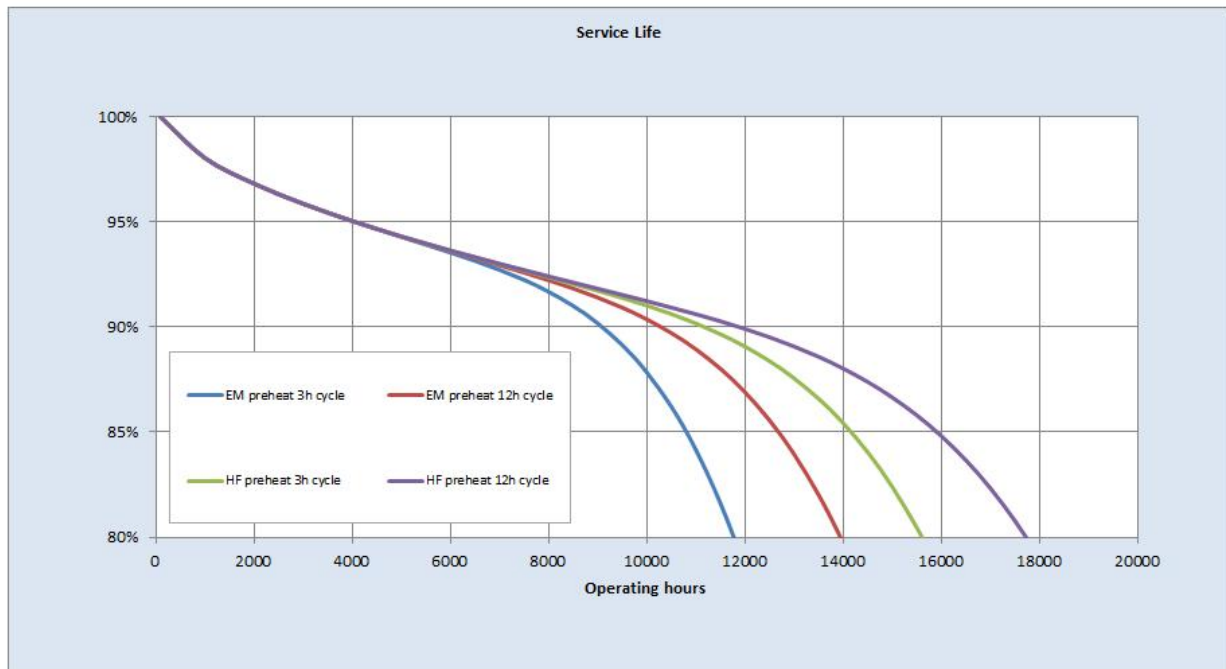
Lumen maintenance data



Survival data



Service life data



Downloads & Links

[Go to the catalog site \(HTTP\)](#)

[Linear Fluorescent Lamps Catalogue \(PDF\)](#)

[Lighting design tools & calculators \(HTTP\)](#)

[High-res images / Technical drawings \(HTTP\)](#)

[Certificate for the Quality Management System of GE Lighting EMEA \(PDF\)](#)

[Certificate for the Environmental Management System of GE Lighting EMEA \(PDF\)](#)