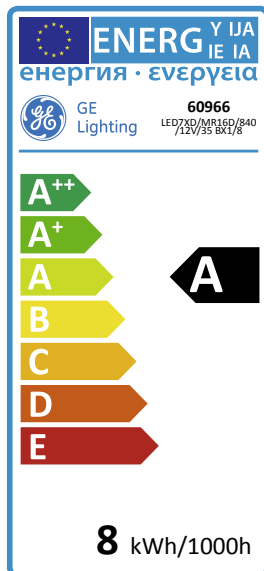




GE  
Lighting



8  
kWh/1000h

A  
energy class

74  
lumens/watt

## GE Precise™ MR16 Dimmable

LED7XD/MR16D/840/12V/35 BX1/8

# 60966

### Product information

GE's newest LED technology surpasses current market expectations for MR16 performance. Improved lumen output and an outstanding 45,000 hours life rating for a high quality halogen MR16 replacement. Available in three colour temperatures and two beam angles. The new Constant Colour™ 35W has a smooth heat sink and provide high colour consistency within 4 steps on the MacAdam ellipse. The new 50W has up to 15% higher lumen output.

### Application areas



Home



Retail



Office



Hospitality



WORLDWIDE PARTNER

## Product data

|                             |                       |
|-----------------------------|-----------------------|
| Cap/Base                    | GU5.3                 |
| Bulb Shape                  | Mirrored reflector    |
| Bulb Finish                 | Diffuse               |
| Bulb Diameter [mm]          | 50                    |
| Maximum Overall Length [mm] | 50                    |
| Net weight per piece [g]    | 60                    |
| Gross weight per piece [g]  | 70                    |
| Brand                       | General Electric (GE) |

## Performance data

|   |         |
|---|---------|
| Colour Rendering Index (CRI) [Ra]               | 83      |
| Nominal correlated colour temperature (CCT) [K] | 4000    |
| Colour consistency                              | 6 steps |
| Nominal beam angle [°]                          | 35      |
| Rated beam angle [°]                            | 35      |
| Nominal center beam candlepower (CBCP) [cd]     | 1600    |
| Rated peak intensity in [Cd]                    | 1600    |
| Nominal lumens [lm]                             | 520     |
| Rated Lumens [lm]                               | 520     |
| Nominal useful lumens [lm]                      | 475     |
| Useful lumens (at 90° cone) [lm]                | 475     |
| Rated useful lumens (Hor) [lm]                  | 475     |
| Energy efficiency class (EEC)                   | A       |
| Rated life L70/B50 [h]                          | 25000   |
| Weighted energy consumption [kWh/1000h]         | 7.42    |

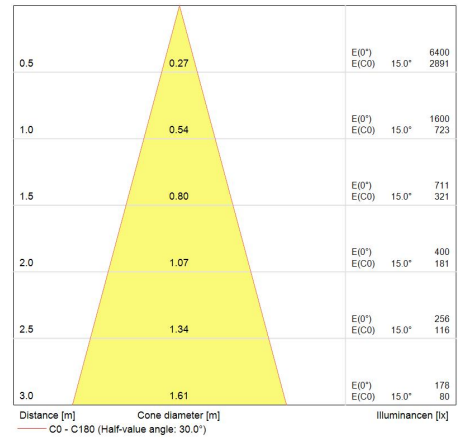
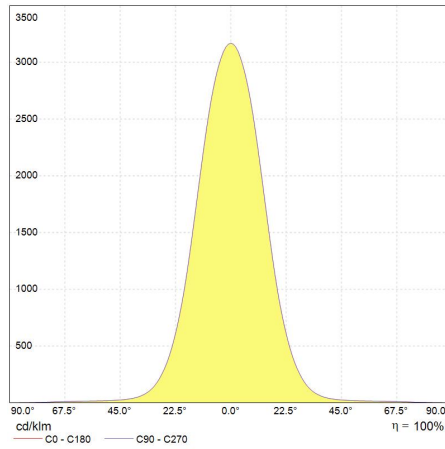
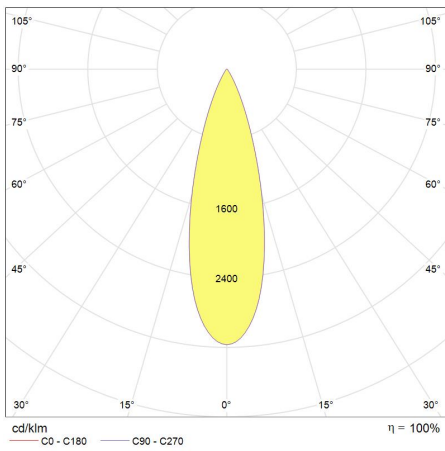
## Electrical data

|                            |       |
|----------------------------|-------|
| Nominal power [W]          | 7     |
| Rated power [W]            | 7.0   |
| Nominal lamp power factor  | 0.9   |
| Nominal lamp voltage [V]   | 12    |
| Lamp Current [A]           | 0.63  |
| Run-up time (sec)          | <0.5  |
| Starting time (sec)        | <0.5  |
| Number of switching cycles | 50000 |
| Dimming Capability         | Yes   |

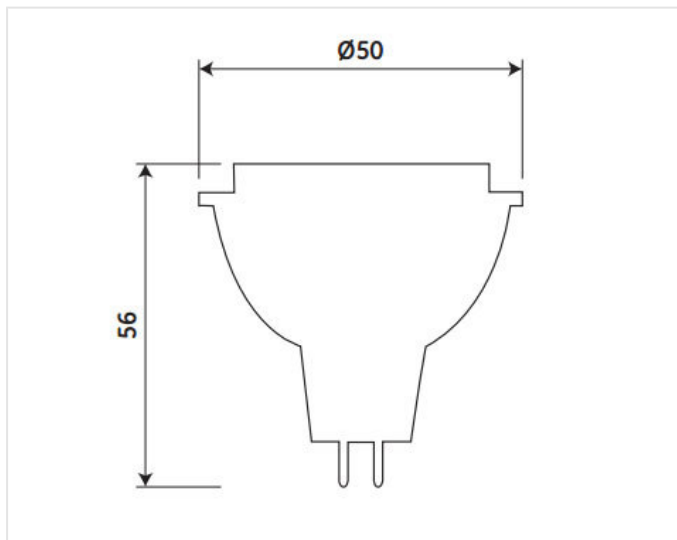
## Logistic data

|                          |                     |
|--------------------------|---------------------|
| DUN Code                 | 10043168609668      |
| EAN Code                 | 0043168609661       |
| Pack Quantity            | 8                   |
| Inner pack type          | BOX                 |
| Layer quantity           | 216 EUR, 288 UK     |
| Layer quantity EUR       | 216                 |
| Layer quantity UK        | 288                 |
| Pallet quantity EUR (PC) | 2808                |
| Pallet quantity UK (PC)  | 3744                |
| Outer case size          | 239 x 121 x 65 (mm) |
| Product status           | Available           |

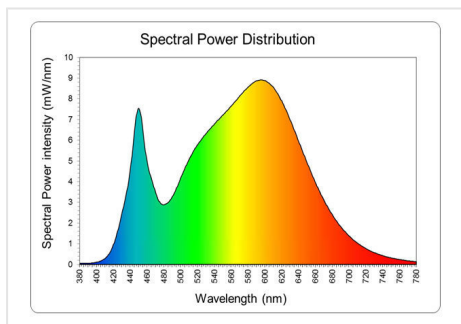
### Photometric Data



### Technical drawing



### Spectral distribution



## Downloads & Links

[Go to the catalog site \(HTTP\)](#)

[Photometry \(IES\)](#)

[Transformer compatibility \(HTTP\)](#)

[Dimming compatibility \(HTTP\)](#)

[LED Lighting Solutions - Catalogue \(EN\) \(PDF\)](#)

[LED MR16 7W, 7XW Dimmable Gen2 Datasheet \(PDF\)](#)

[Lighting design tools & calculators \(HTTP\)](#)

[Datasheets \(HTTP\)](#)

[High-res images / Technical drawings \(HTTP\)](#)

[Certificate for the Quality Management System of GE Lighting EMEA \(PDF\)](#)

[Certificate for the Environmental Management System of GE Lighting EMEA \(PDF\)](#)