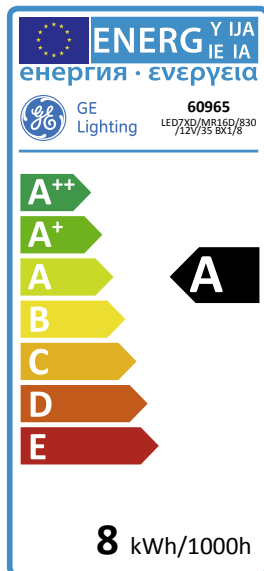




GE
Lighting



8
kWh/1000h

A
energy class

71
lumens/watt

GE Precise™ MR16 Dimmable

LED7XD/MR16D/830/12V/35 BX1/8

60965

Product information

GE's newest LED technology surpasses current market expectations for MR16 performance. Improved lumen output and an outstanding 45,000 hours life rating for a high quality halogen MR16 replacement. Available in three colour temperatures and two beam angles. The new Constant Colour™ 35W has a smooth heat sink and provide high colour consistency within 4 steps on the MacAdam ellipse. The new 50W has up to 15% higher lumen output.

Application areas



Home



Retail



Office



Hospitality



WORLDWIDE PARTNER

Product data

Cap/Base	GU5.3
Bulb Shape	Mirrored reflector
Bulb Finish	Diffuse
Bulb Diameter [mm]	50
Maximum Overall Length [mm]	50
Net weight per piece [g]	60
Gross weight per piece [g]	70
Brand	General Electric (GE)

Performance data

Colour Rendering Index (CRI) [Ra]	82
Nominal correlated colour temperature (CCT) [K]	3000
Colour consistency	6 steps
Nominal beam angle [°]	35
Rated beam angle [°]	35
Nominal center beam candlepower (CBCP) [cd]	1500
Rated peak intensity in [Cd]	1500
Nominal lumens [lm]	500
Rated Lumens [lm]	500
Nominal useful lumens [lm]	455
Useful lumens (at 90° cone) [lm]	455
Rated useful lumens [lm]	455
Energy efficiency class (EEC)	A
Rated life L70/B50 [h]	25000
Weighted energy consumption [kWh/1000h]	7.42

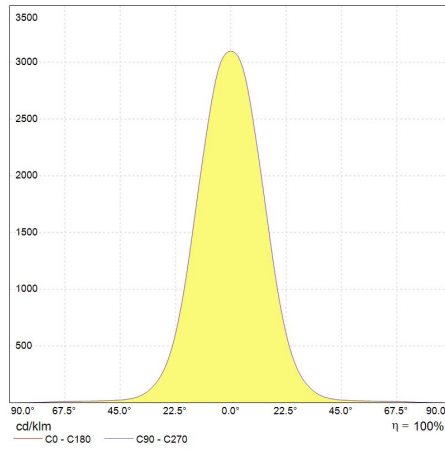
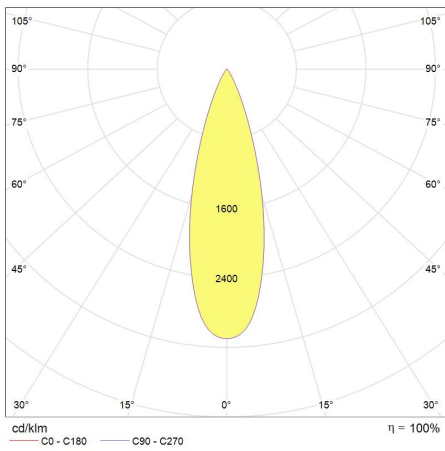
Electrical data

Nominal power [W]	7
Rated power [W]	7.0
Nominal lamp power factor	0.9
Nominal lamp voltage [V]	12
Lamp Current [A]	0.63
Run-up time (sec)	<0.5
Starting time (sec)	<0.5
Number of switching cycles	50000
Dimming Capability	Yes

Logistic data

DUN Code	10043168609651
EAN Code	0043168609654
Pack Quantity	8
Inner pack type	BOX
Layer quantity	216 EUR, 288 UK
Layer quantity EUR	216
Layer quantity UK	288
Pallet quantity EUR (PC)	2808
Pallet quantity UK (PC)	3744
Outer case size	239 x 121 x 65 (mm)
Product status	Available

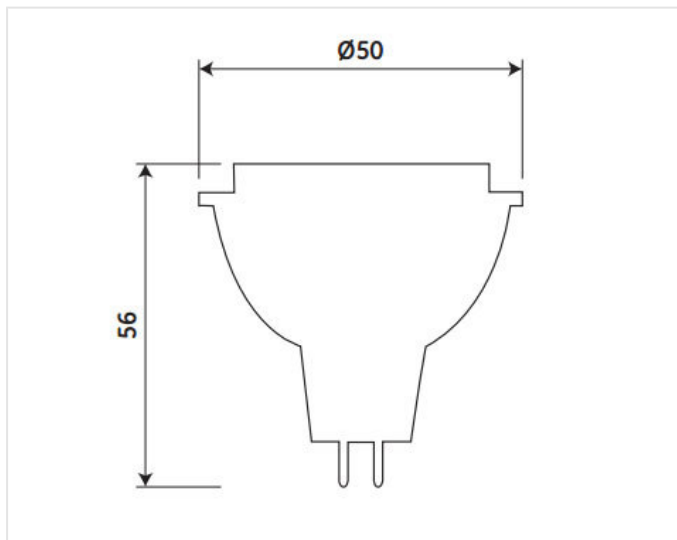
Photometric Data



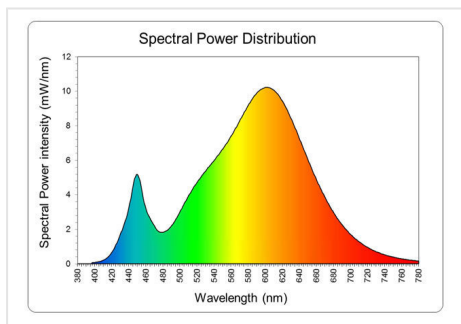
Distance [m]	Cone diameter [m]	E(0°) E(C0)	15.2°	6000 2714
0.5	0.27	E(0°) E(C0)	15.2°	1500 679
1.0	0.54	E(0°) E(C0)	15.2°	667 302
1.5	0.82	E(0°) E(C0)	15.2°	375 170
2.0	1.09	E(0°) E(C0)	15.2°	240 109
2.5	1.36	E(0°) E(C0)	15.2°	167 75
3.0	1.63	E(0°) E(C0)	15.2°	

Distance [m] Cone diameter [m] Illuminance [lx]
C0 - C180 (Half-value angle: 30.4°)

Technical drawing



Spectral distribution



Downloads & Links

[Go to the catalog site \(HTTP\)](#)

[Photometry \(IES\)](#)

[Transformer compatibility \(HTTP\)](#)

[Dimming compatibility \(HTTP\)](#)

[LED Lighting Solutions - Catalogue \(EN\) \(PDF\)](#)

[LED MR16 7W, 7XW Dimmable Gen2 Datasheet \(PDF\)](#)

[Lighting design tools & calculators \(HTTP\)](#)

[Datasheets \(HTTP\)](#)

[High-res images / Technical drawings \(HTTP\)](#)

[Certificate for the Quality Management System of GE Lighting EMEA \(PDF\)](#)

[Certificate for the Environmental Management System of GE Lighting EMEA \(PDF\)](#)