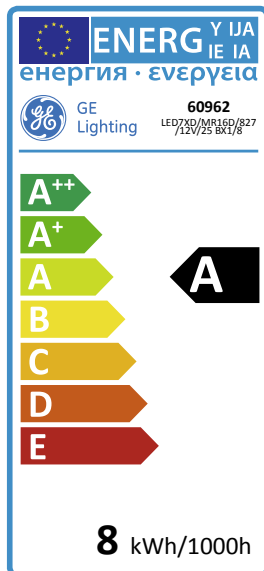




GE
Lighting



8
kWh/1000h

A
energy class

69
lumens/watt

GE Precise™ MR16 Dimmable

LED7XD/MR16D/827/12V/25 BX1/8

60962

Product information

GE's newest LED technology surpasses current market expectations for MR16 performance. Improved lumen output and an outstanding 45,000 hours life rating for a high quality halogen MR16 replacement. Available in three colour temperatures and two beam angles. The new Constant Colour™ 35W has a smooth heat sink and provide high colour consistency within 4 steps on the MacAdam ellipse. The new 50W has up to 15% higher lumen output.

Application areas



Home



Retail



Office



Hospitality



Product data

Cap/Base	GU5.3
Bulb Shape	Mirrored reflector
Bulb Finish	Diffuse
Bulb Diameter [mm]	50
Maximum Overall Length [mm]	50
Net weight per piece [g]	60
Gross weight per piece [g]	70
Brand	General Electric (GE)

Performance data

Colour Rendering Index (CRI) [Ra]	80
Nominal correlated colour temperature (CCT) [K]	2700
Colour consistency	6 steps
Nominal beam angle [°]	25
Rated beam angle [°]	25
Nominal center beam candlepower (CBCP) [cd]	2400
Rated peak intensity in [Cd]	2400
Nominal lumens [lm]	480
Rated Lumens [lm]	480
Nominal useful lumens [lm]	450
Useful lumens (at 90° cone) [lm]	450
Rated useful lumens [lm]	450
Energy efficiency class (EEC)	A
Rated Life [h]	25000
Weighted energy consumption [kWh/1000h]	7.42

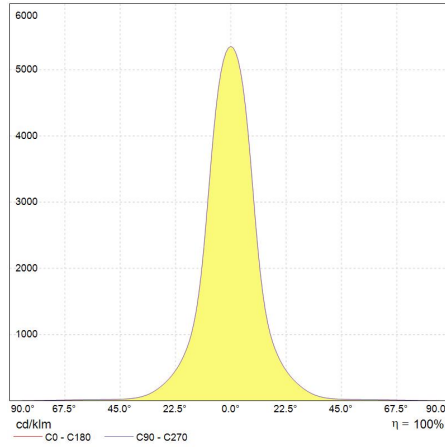
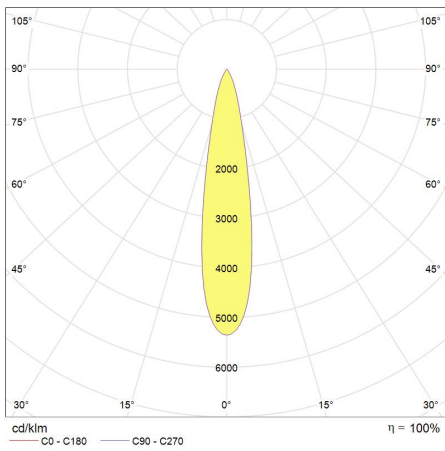
Electrical data

Nominal power [W]	7
Rated power [W]	7.0
Nominal lamp power factor	0.9
Nominal lamp voltage [V]	12
Lamp Current [A]	0.63
Run-up time (sec)	<0.5
Starting time (sec)	<0.5
Number of switching cycles	50000
Dimming Capability	Yes

Logistic data

DUN Code	10043168609620
EAN Code	0043168609623
Pack Quantity	8
Inner pack type	BOX
Layer quantity	216 EUR, 288 UK
Layer quantity EUR	216
Layer quantity UK	288
Pallet quantity EUR (PC)	2808
Pallet quantity UK (PC)	3744
Outer case size	239 x 121 x 65 (mm)
Product status	Available

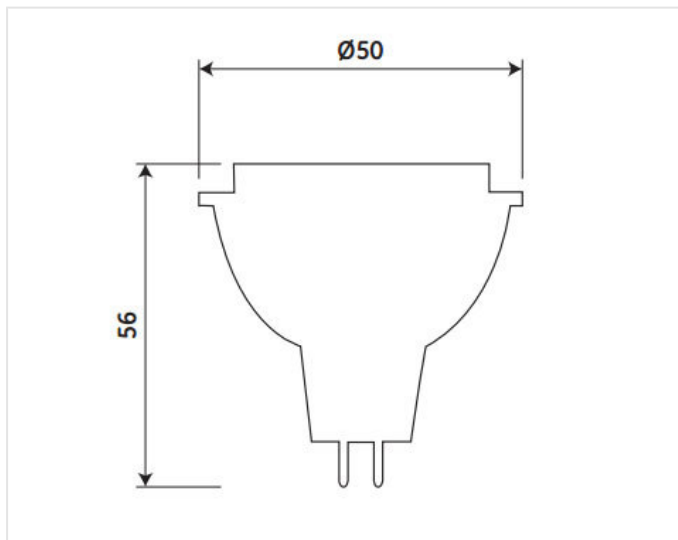
Photometric Data



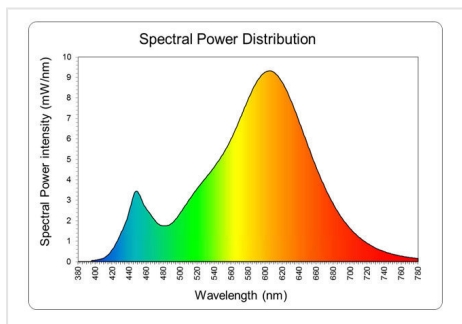
Distance [m]	Cone diameter [m]	E(0°) E(C0)	10.1°	illuminance [lx]
0.5	0.18	E(0°) E(C0)	10.1°	9641 4605
1.0	0.36	E(0°) E(C0)	10.1°	2410 1151
1.5	0.53	E(0°) E(C0)	10.1°	1071 512
2.0	0.71	E(0°) E(C0)	10.1°	603 288
2.5	0.89	E(0°) E(C0)	10.1°	386 184
3.0	1.07	E(0°) E(C0)	10.1°	268 128

Distance [m] Cone diameter [m] illuminance [lx]
C0 - C180 (Half-value angle: 20.2°)

Technical drawing



Spectral distribution



Downloads & Links

[Go to the catalog site \(HTTP\)](#)

[Photometry \(IES\)](#)

[Transformer compatibility \(HTTP\)](#)

[Dimming compatibility \(HTTP\)](#)

[LED MR16 7W, 7XW Dimmable Gen2 Datasheet \(PDF\)](#)

[Lighting design tools & calculators \(HTTP\)](#)

[Datasheets \(HTTP\)](#)

[High-res images / Technical drawings \(HTTP\)](#)

[Certificate for the Quality Management System of GE Lighting EMEA \(PDF\)](#)

[Certificate for the Environmental Management System of GE Lighting EMEA \(PDF\)](#)