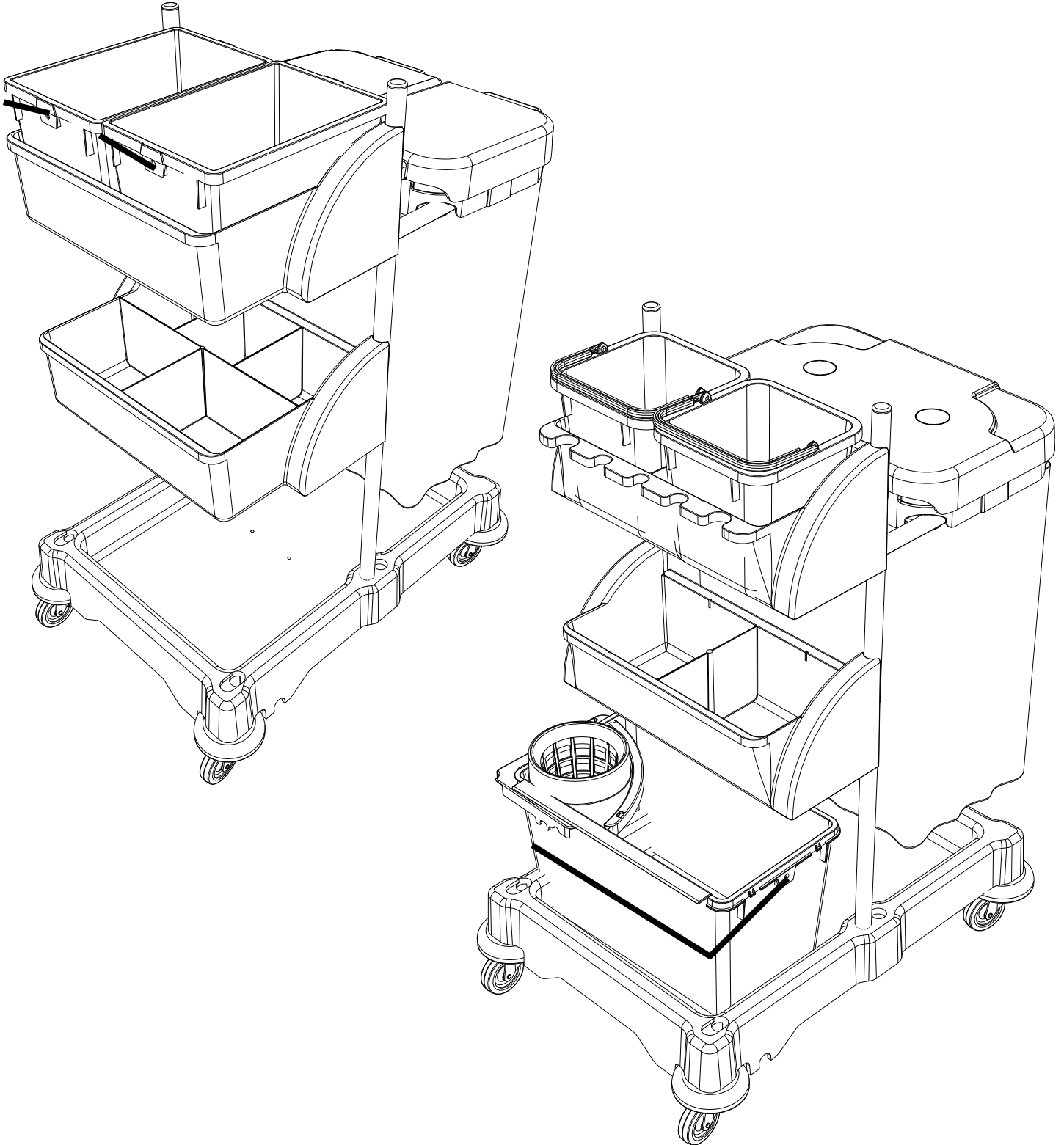
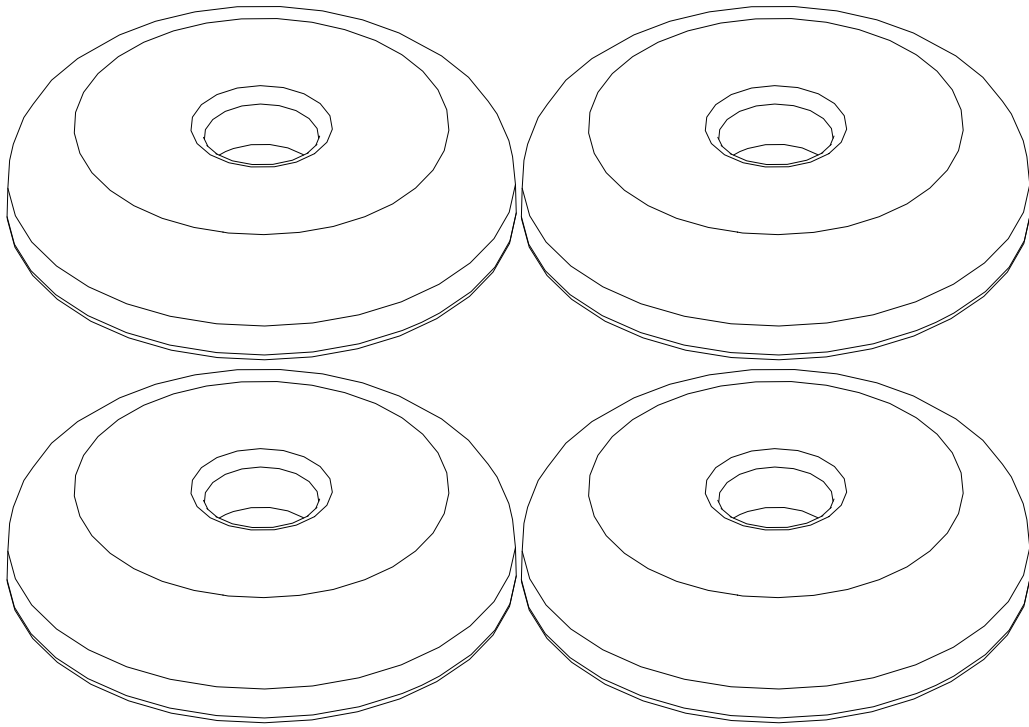


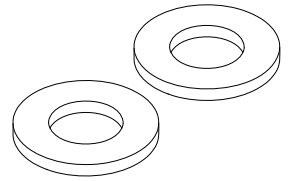
XC 1 / 2 / 3 / 4



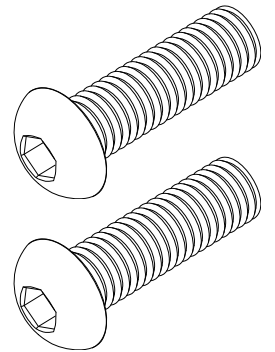
XC-1/2/3/4



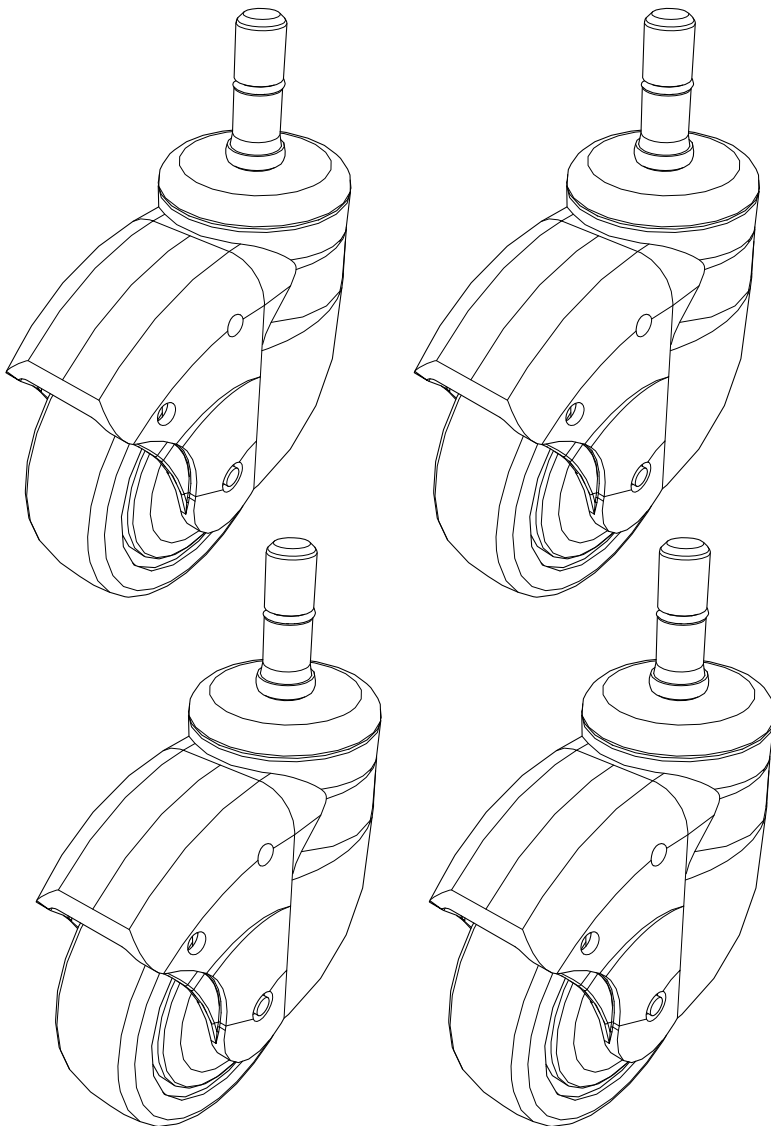
227479 BUFFER



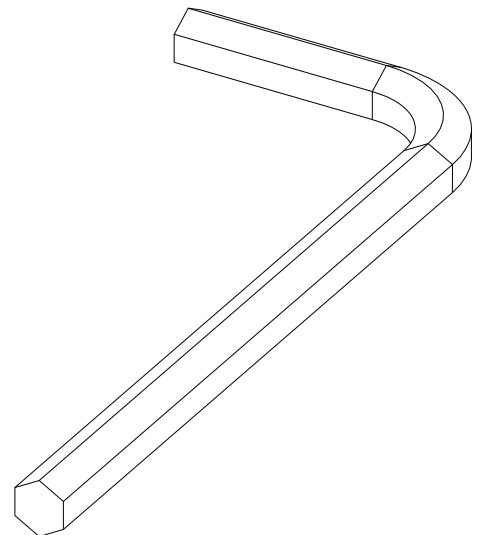
221154 WASHER



219555 BOLT



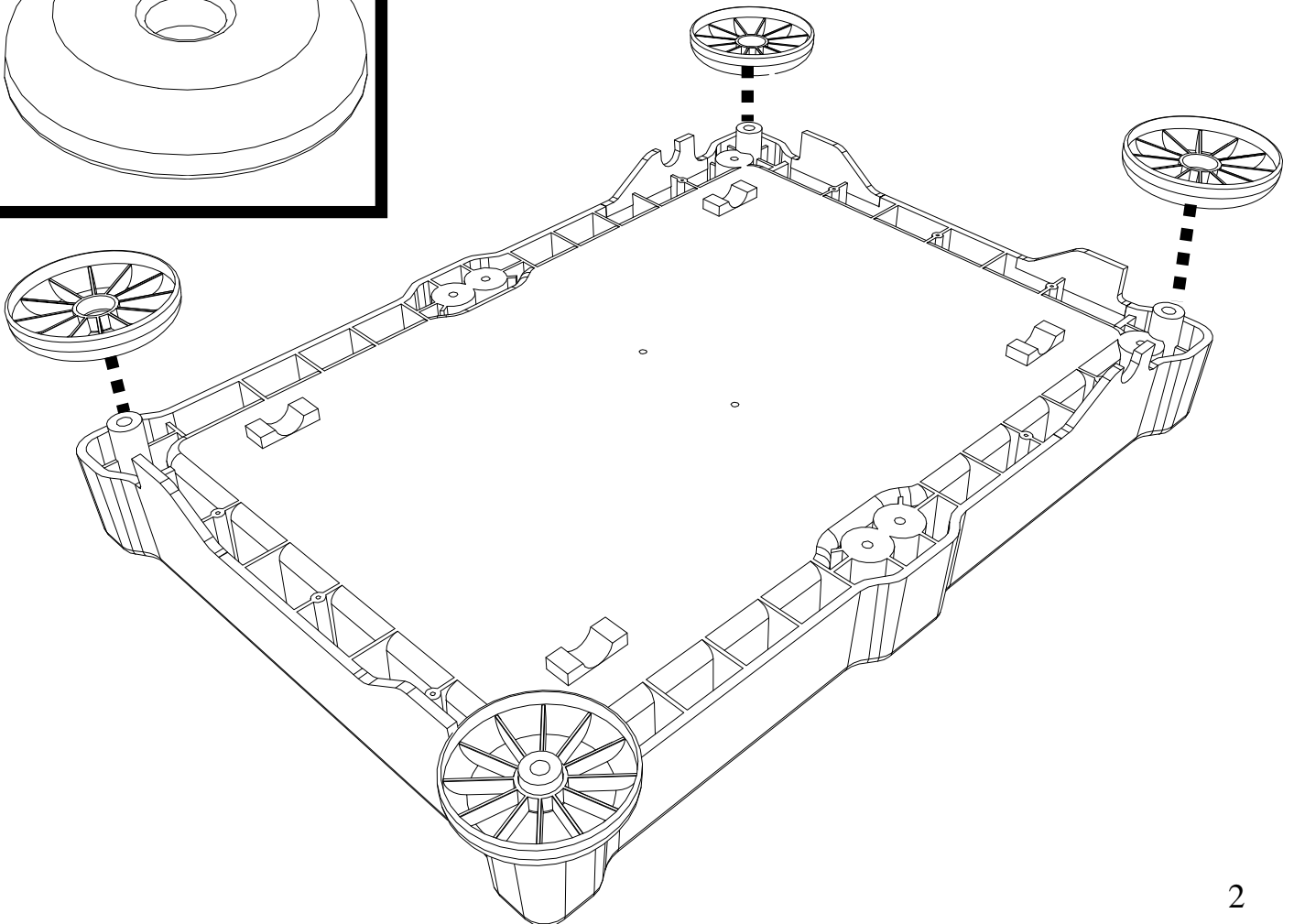
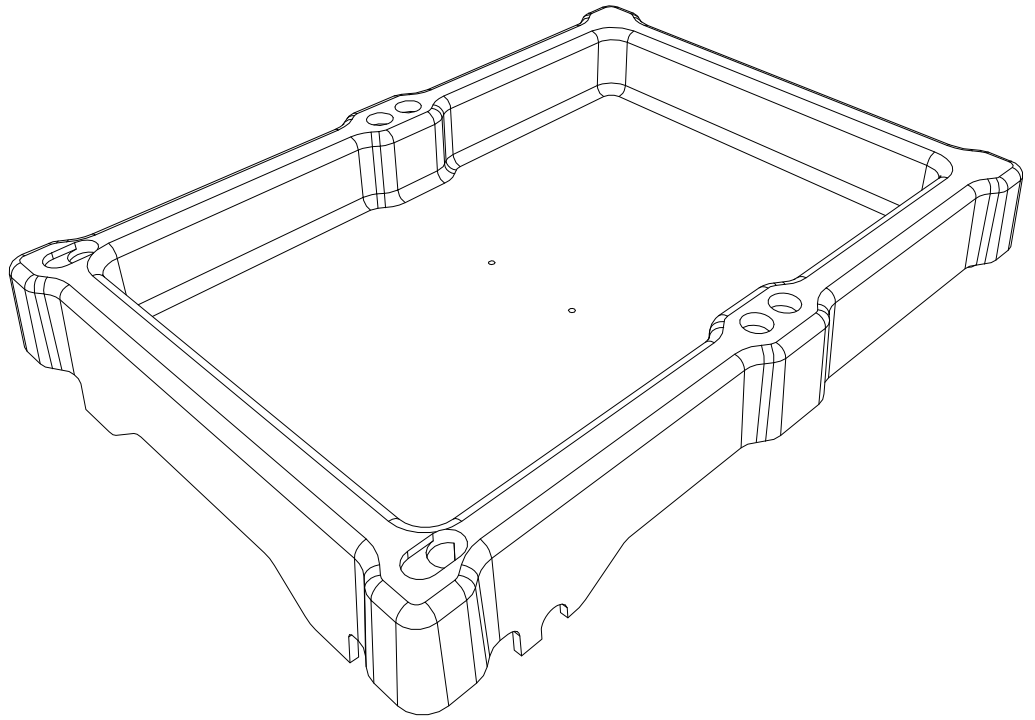
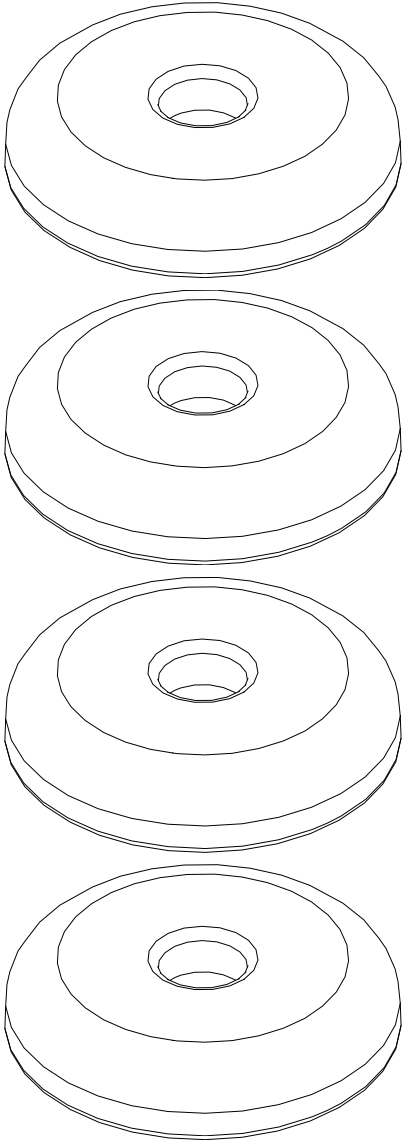
204099 CASTOR



219554 ALLEN KEY

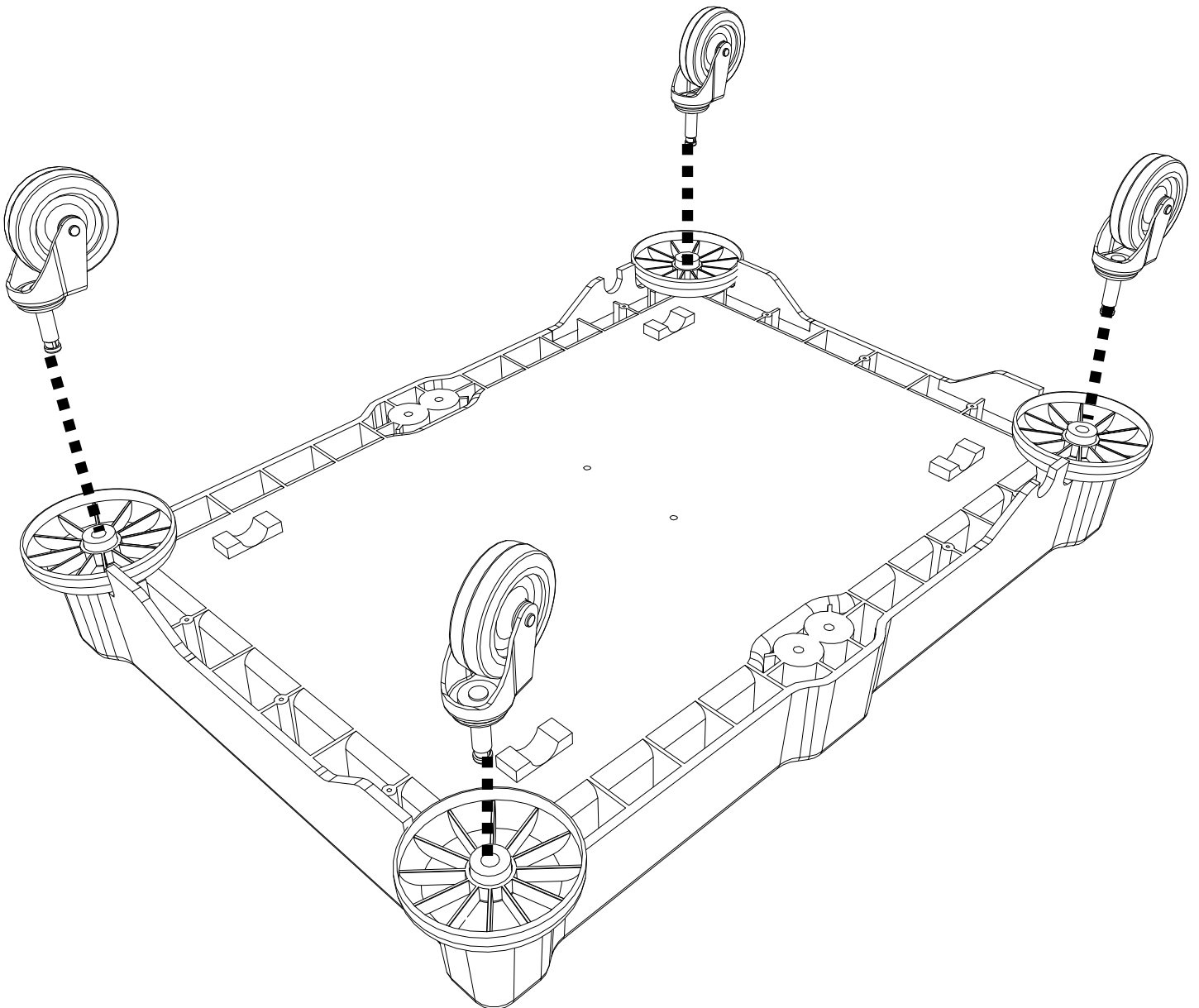
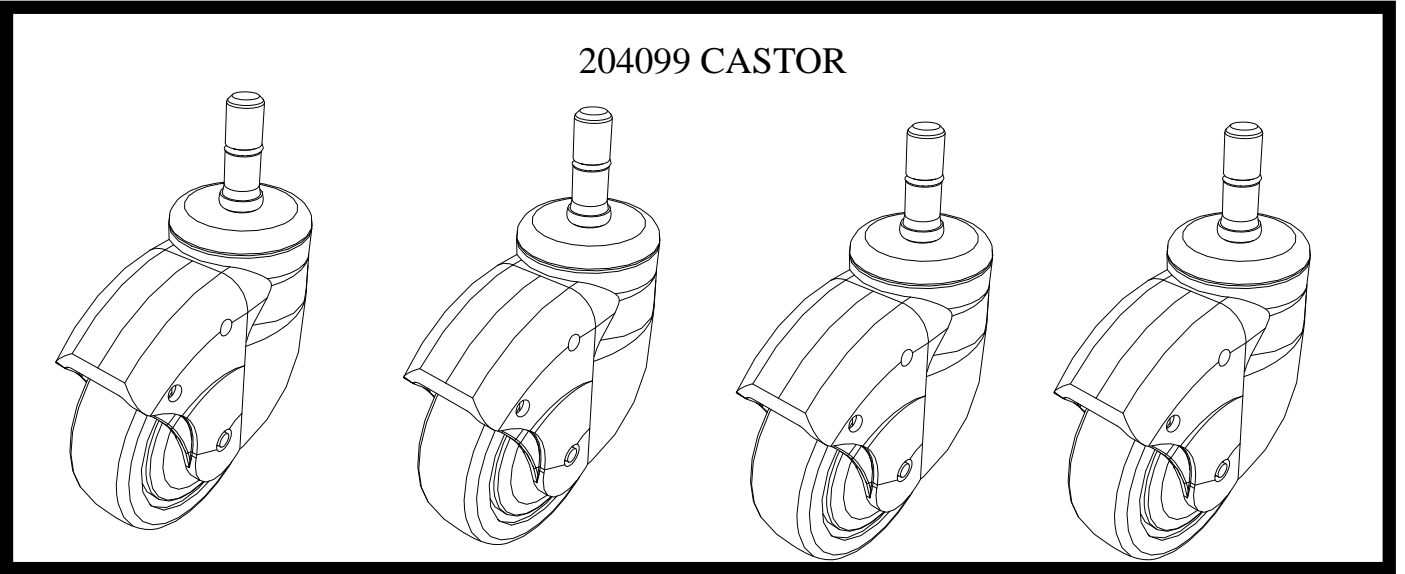
227479 BUFFER

XC-1/2/3/4



XC-1/2/3/4

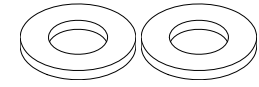
204099 CASTOR



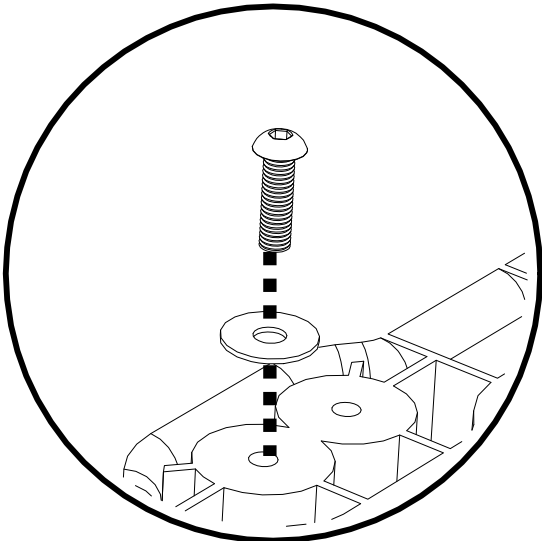
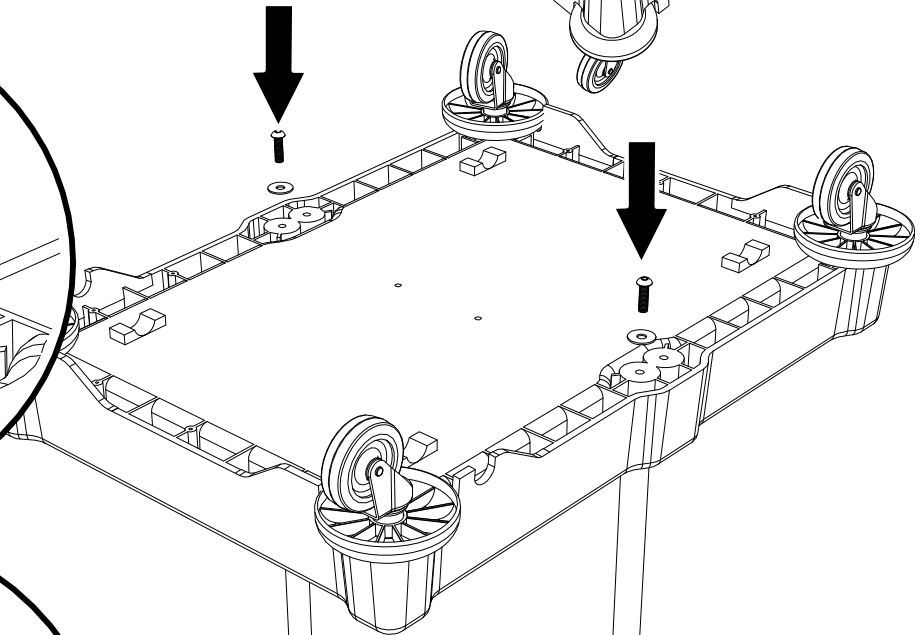
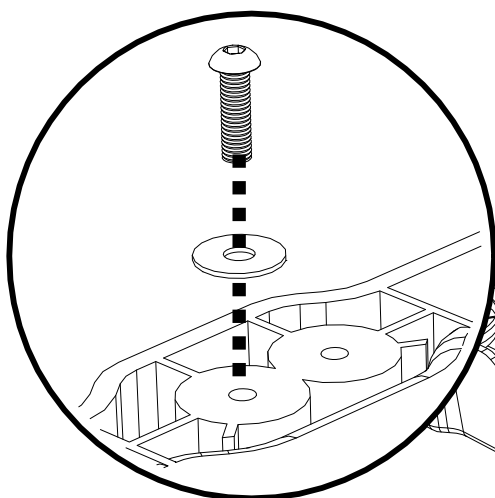
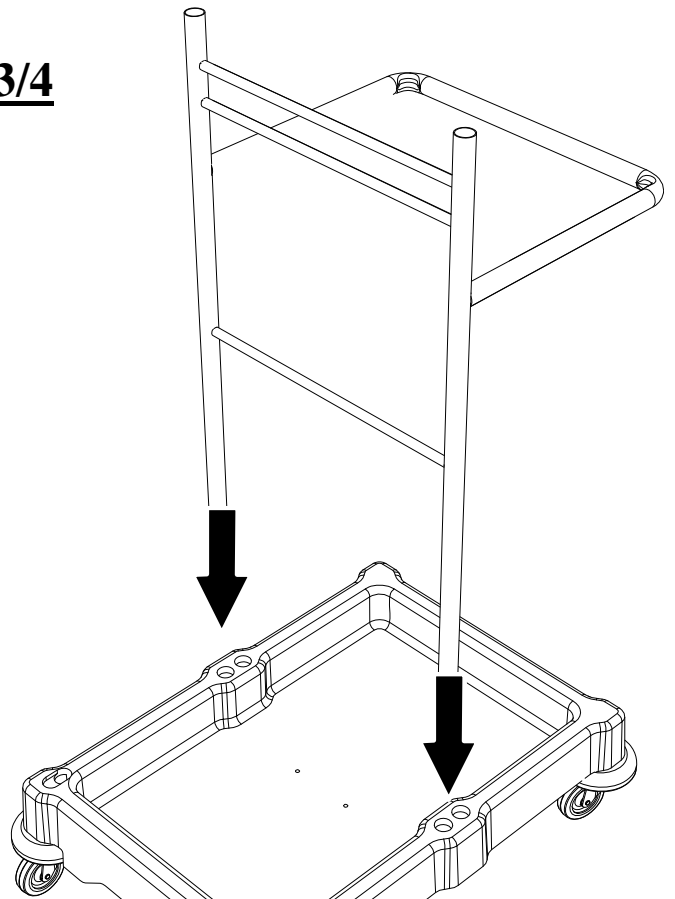
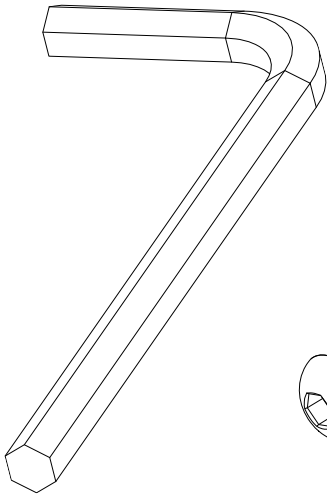
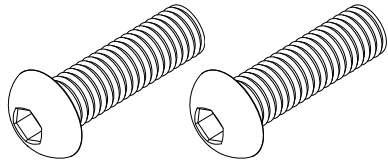
XC-1/2/3/4

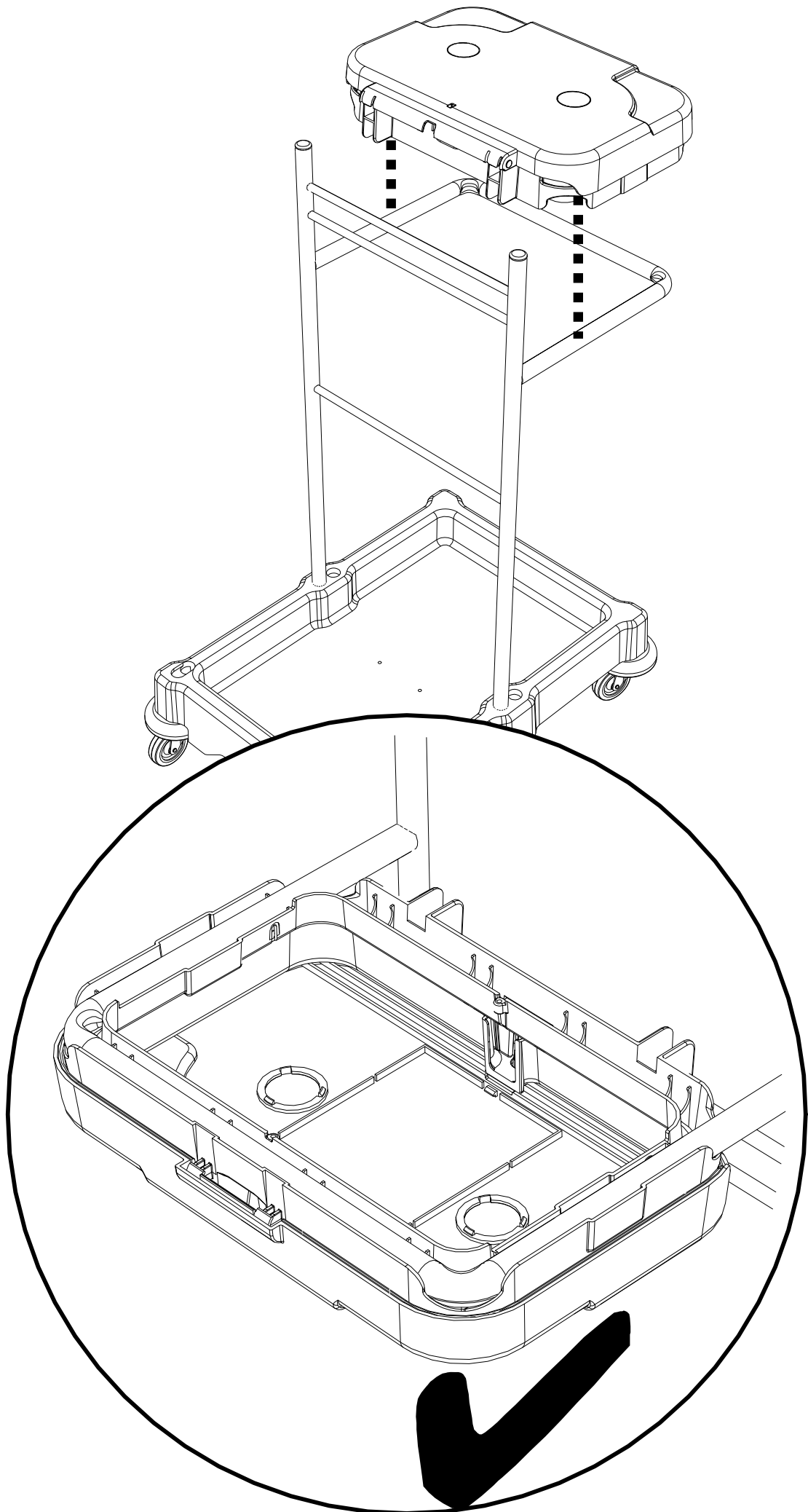
219554 ALLEN KEY

221154 WASHER

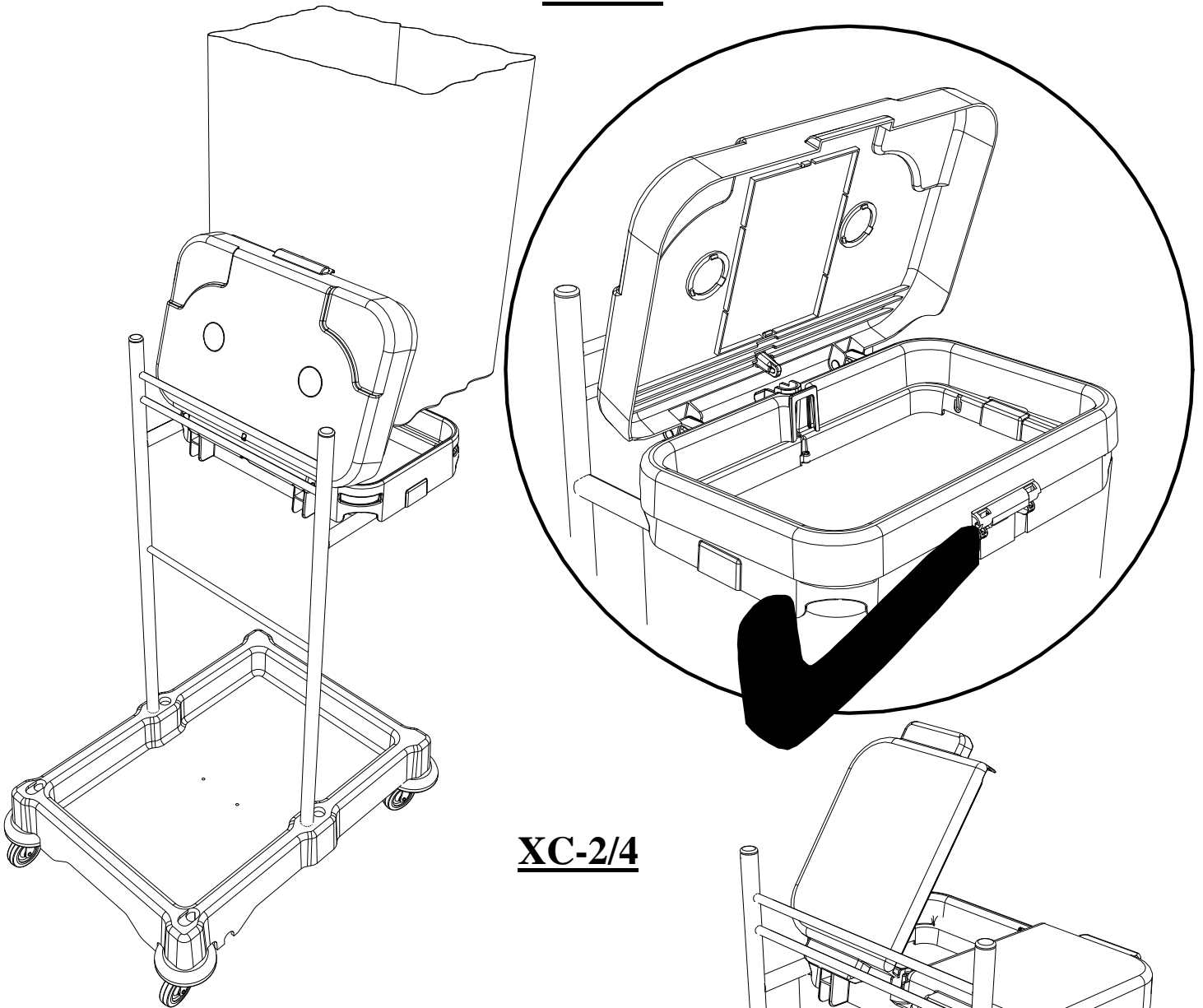


219555 BOLT

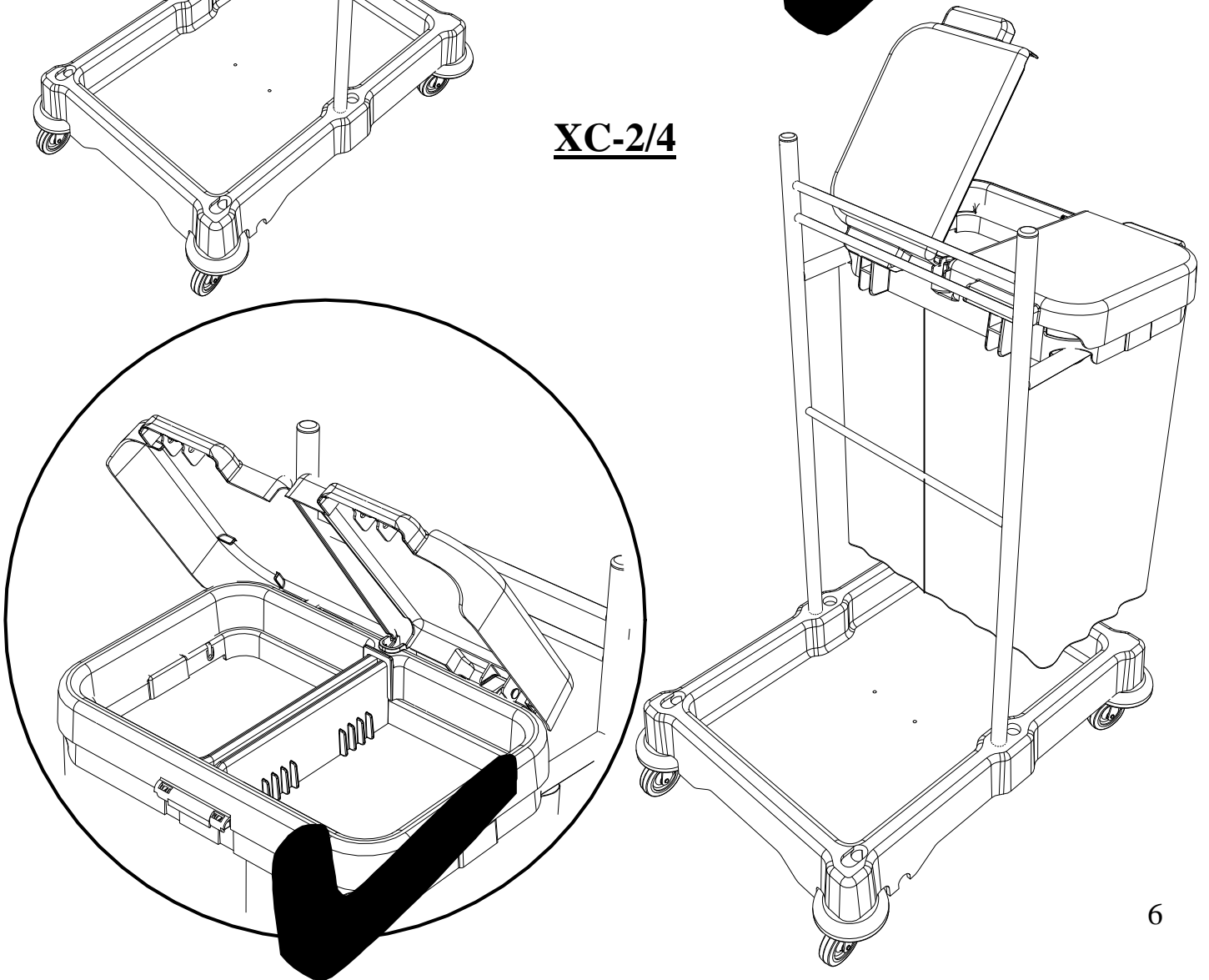


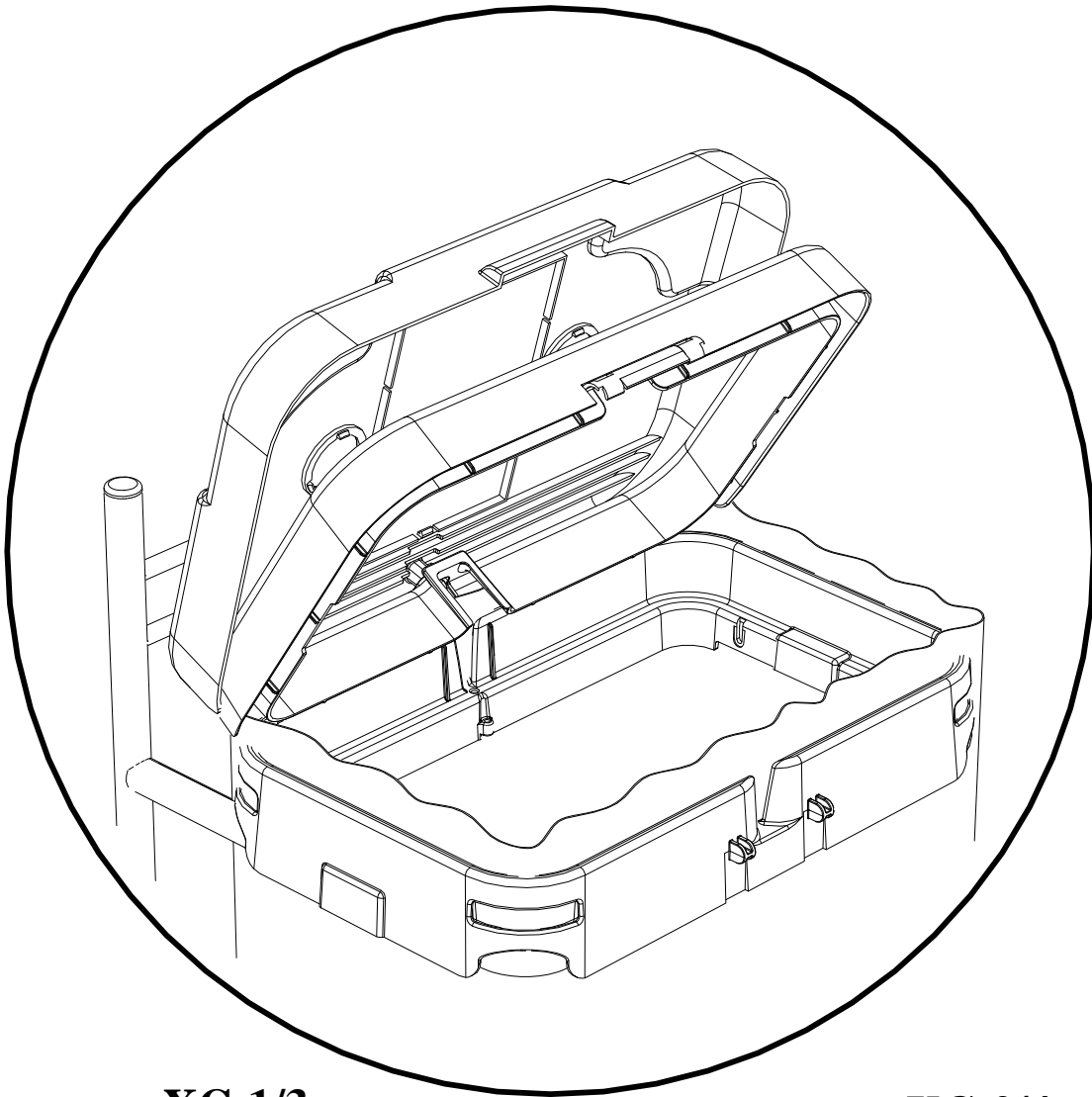


XC-1/3



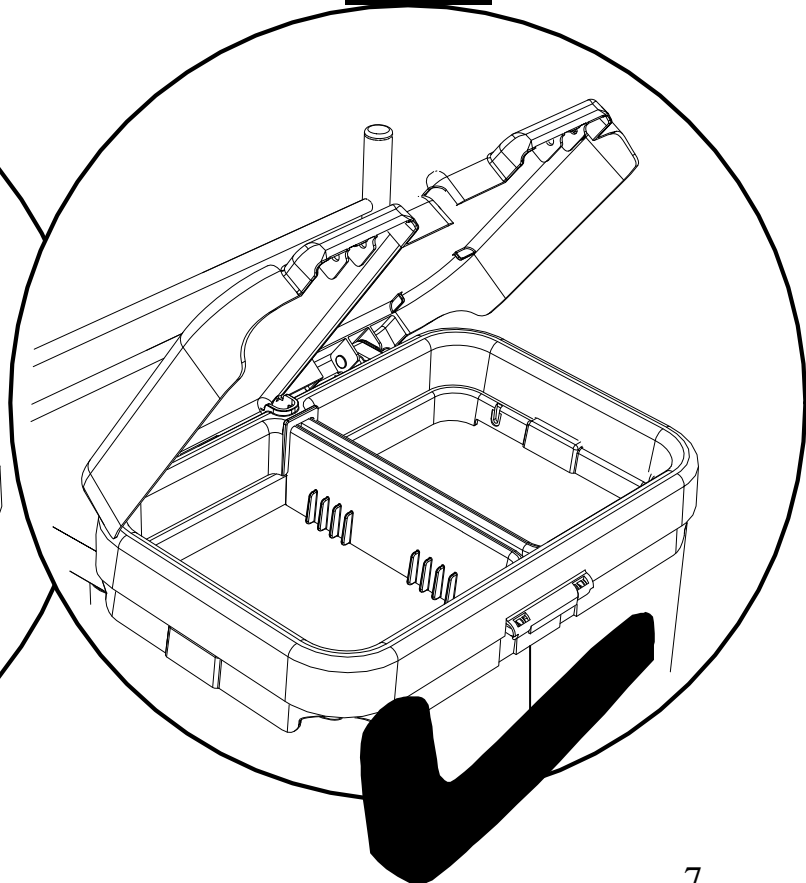
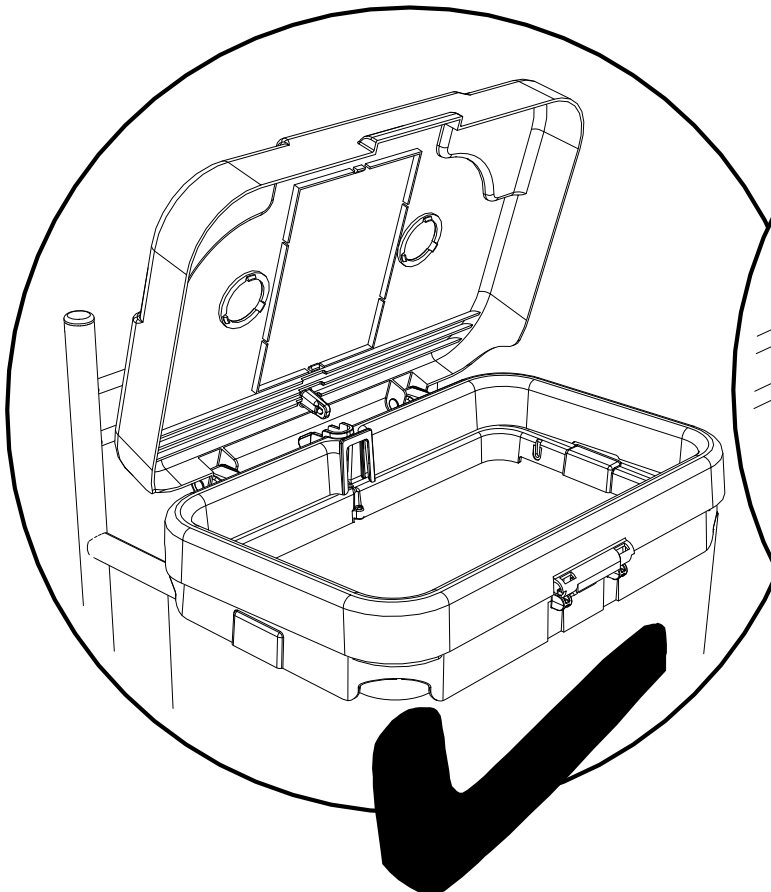
XC-2/4



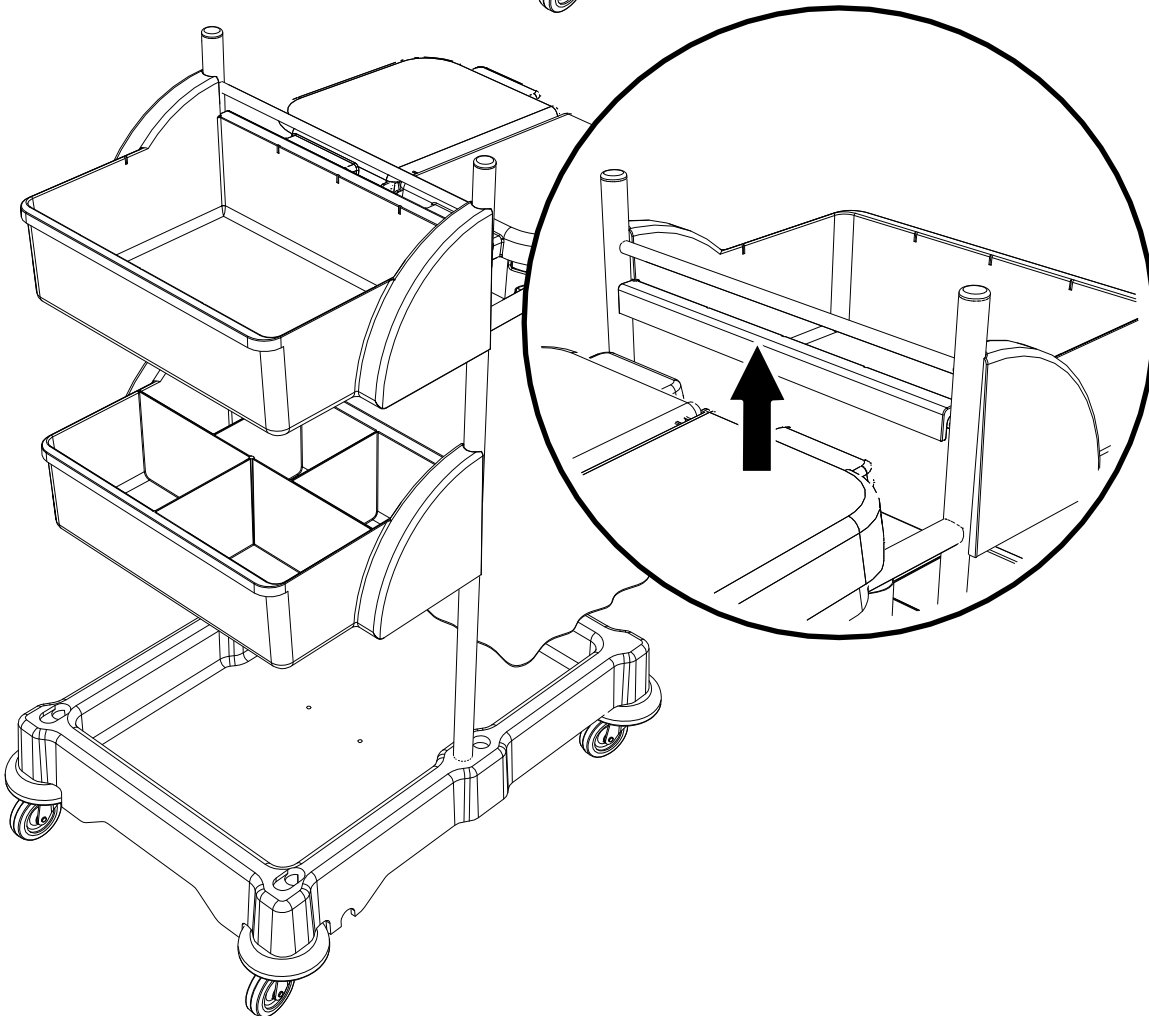
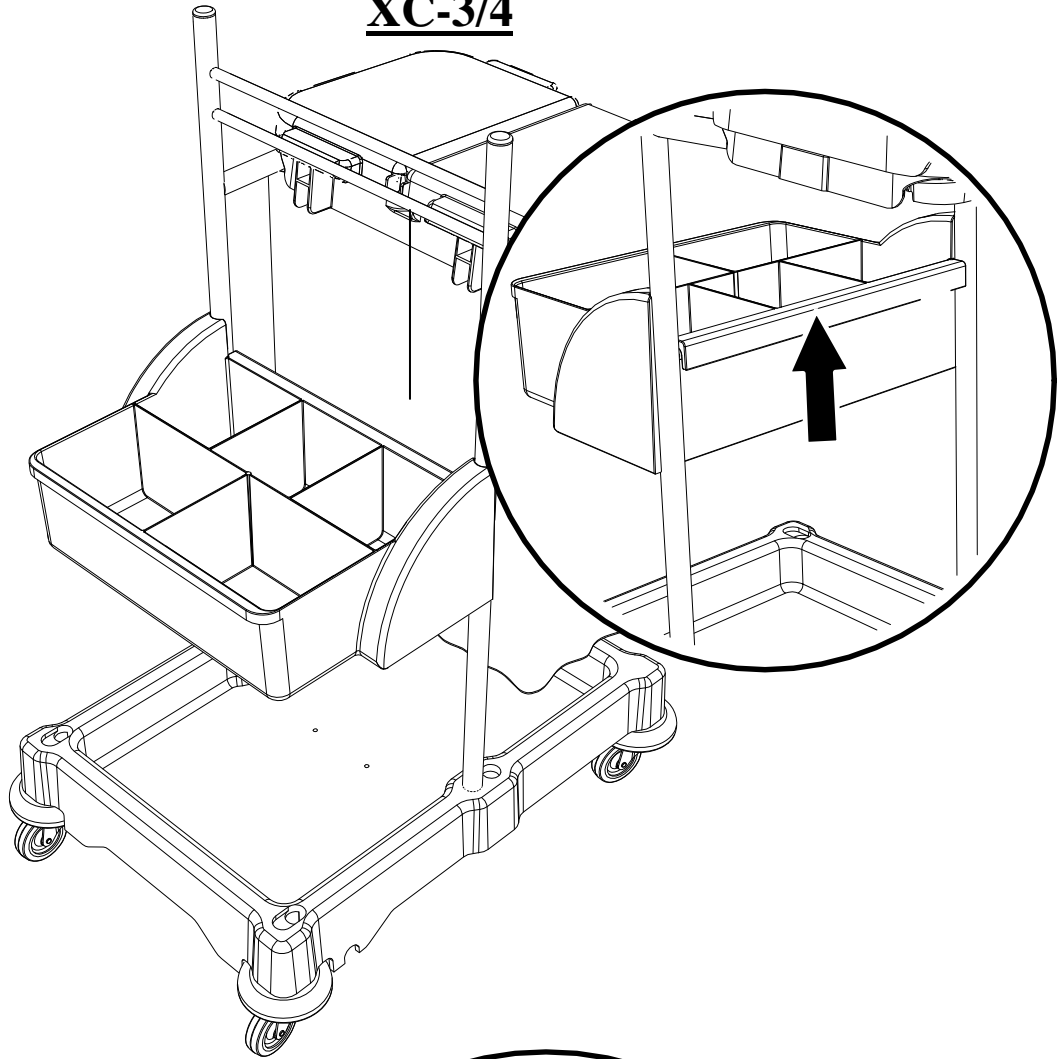


XC-1/3

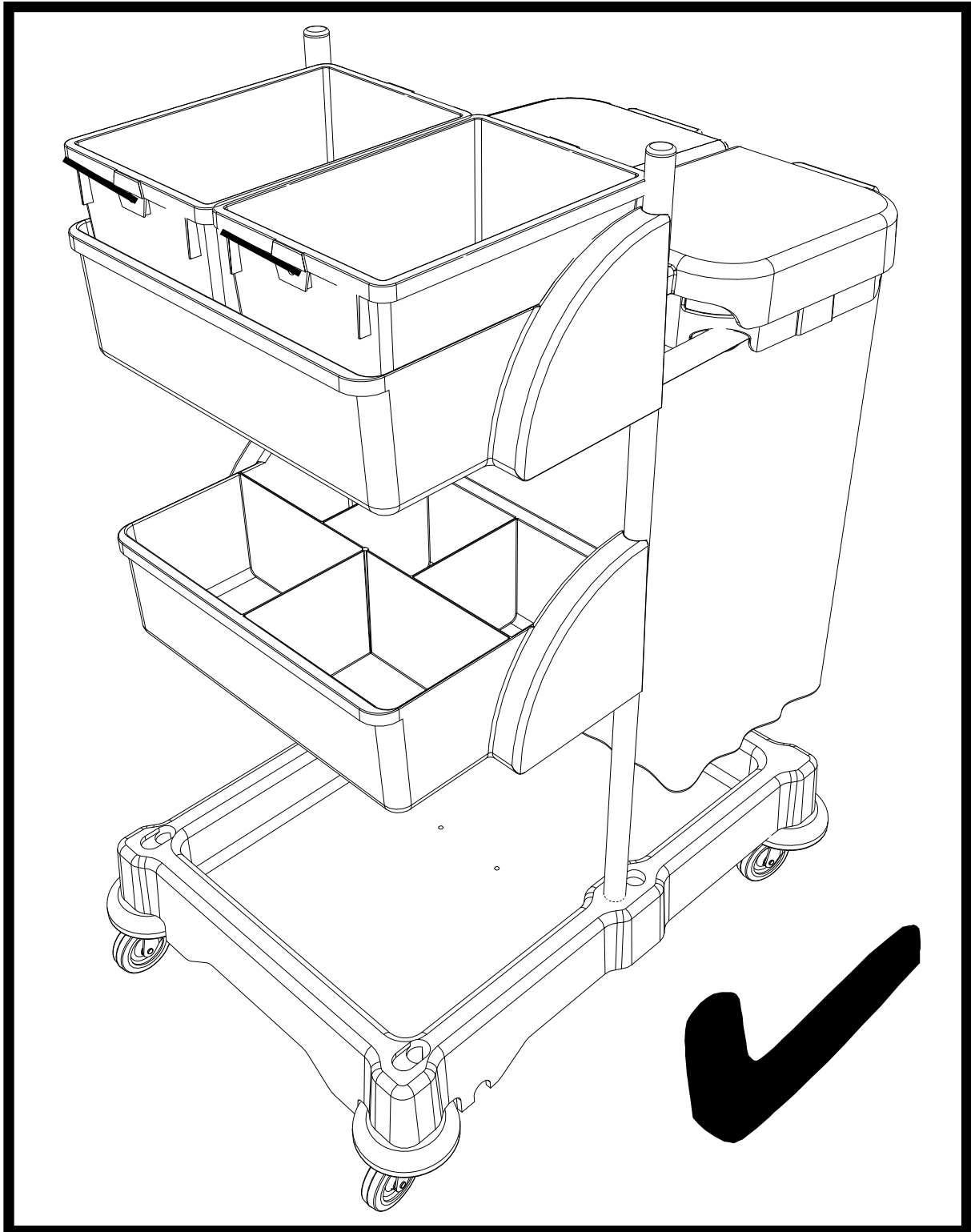
XC-2/4



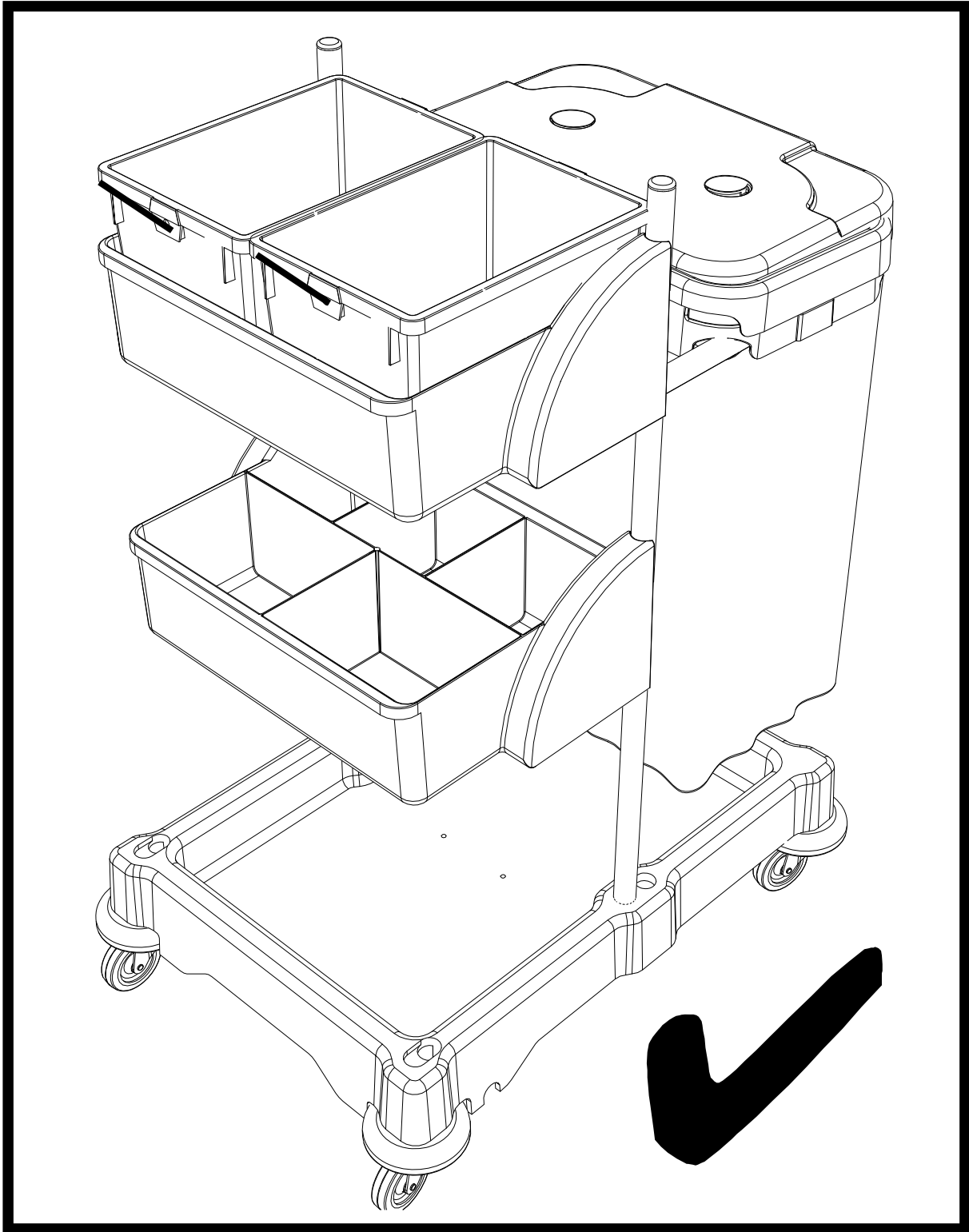
XC-3/4



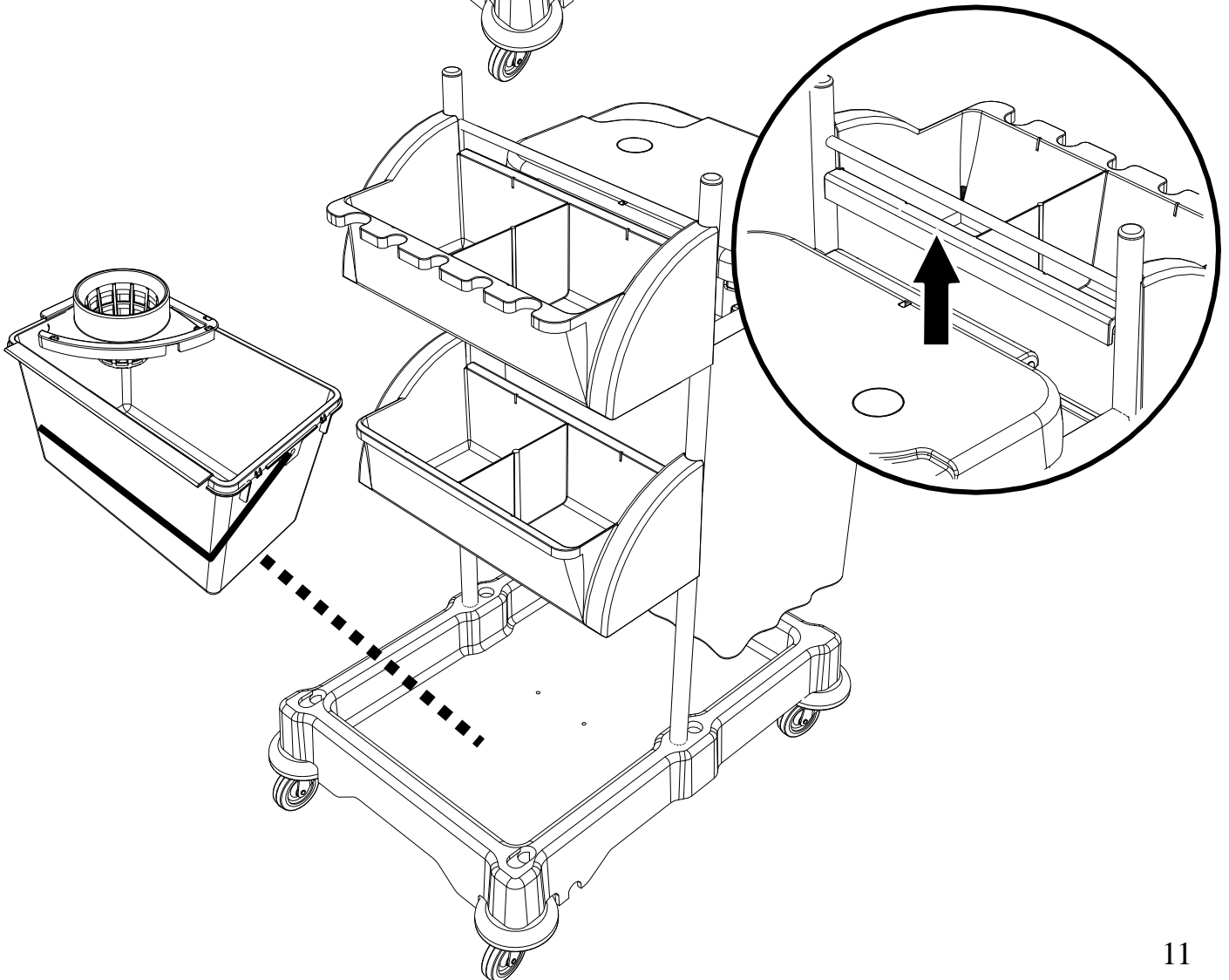
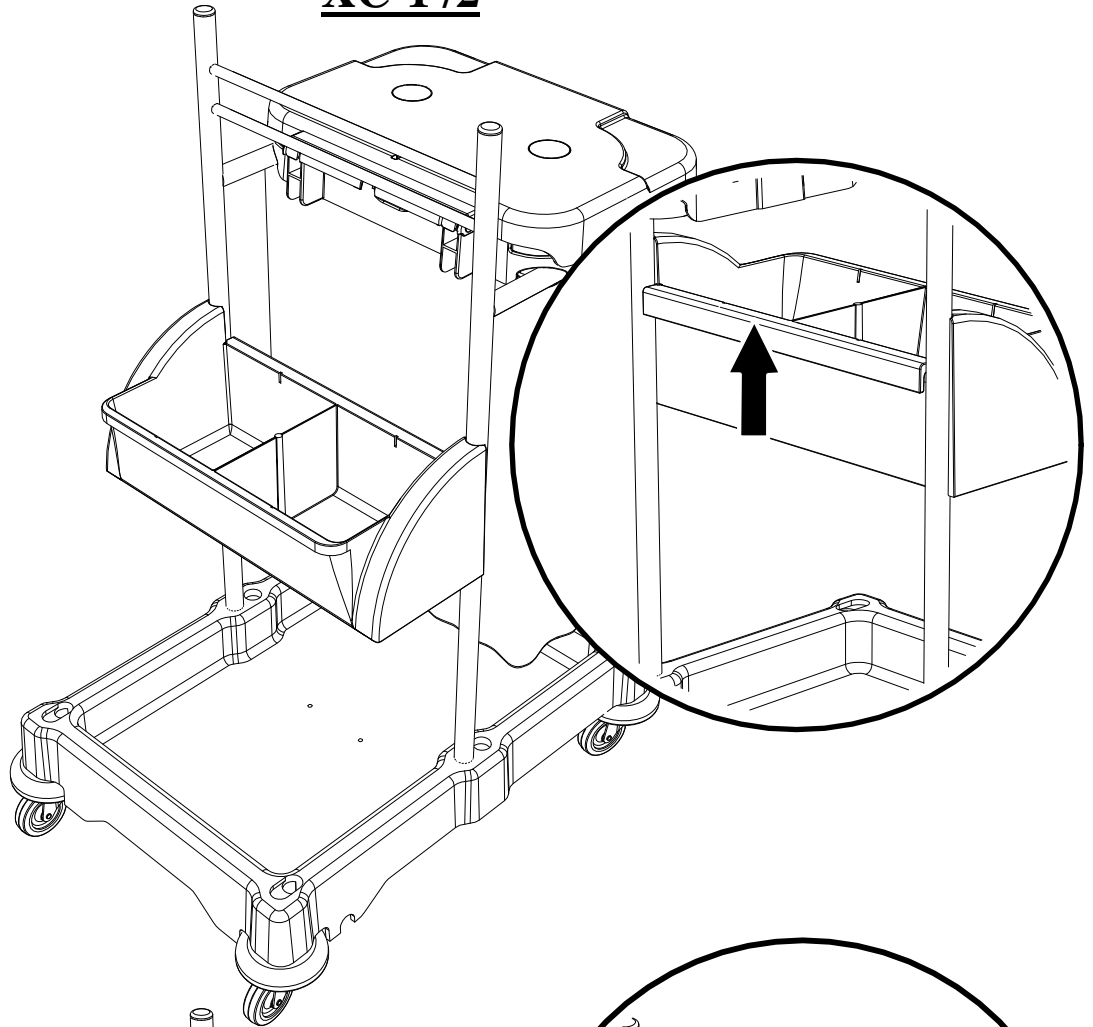
XC-4



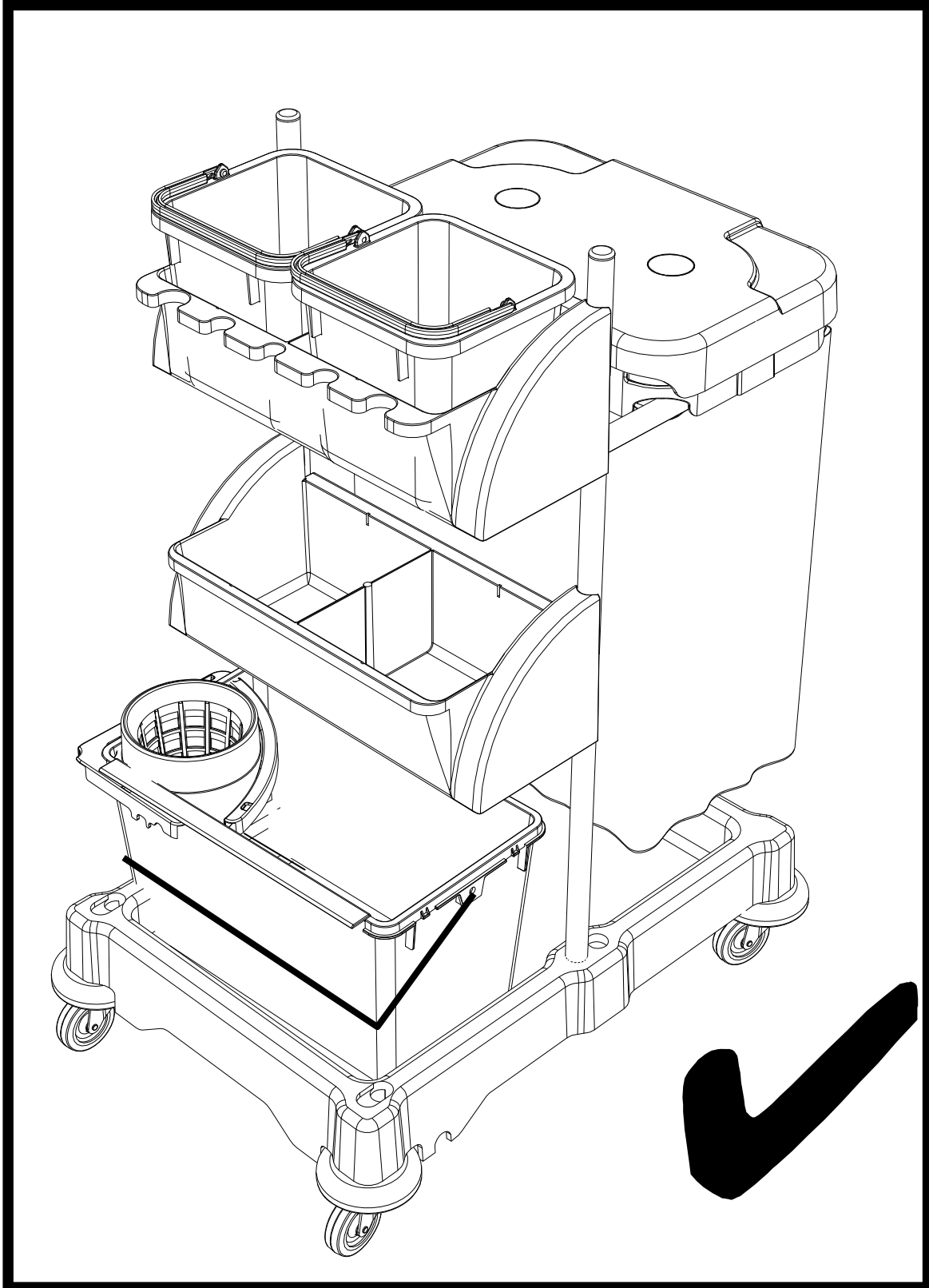
XC-3



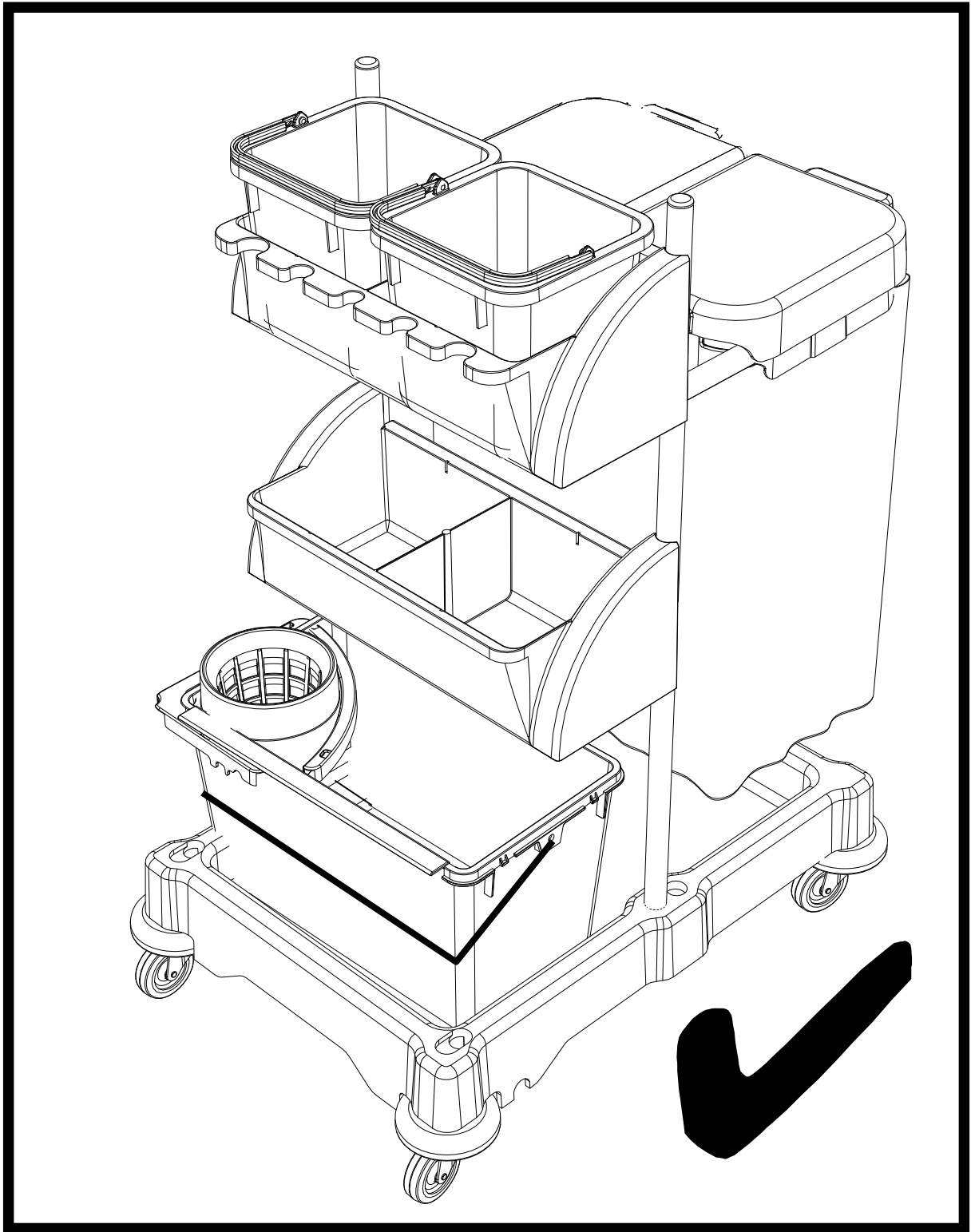
XC-1 / 2



XC-1



XC-2



ITEM	PART NO	DESCRIPTION	QTY
1	227480	HALF TRAY WITH HOOKS	1
2	227481	HALF TRAY	1
3	318787	BASE	1
4	227479	BUFFER	4
5	204099	CASTOR	4
6	338523	140L LID XC2 / XC4	1
7	418612	UPRIGHT	1
8	338196	120L LID XC1 /XC3	1
9	227528	FULL TRAY	1
10	227619	FULL TRAY DIVIDED	1
11	628011	10L BLUE	1
11	628012	10L RED	1
12	628183	6L RED	1
12	628184	6L BLUE	1
13	227551	MOP WRINGER	1
14	627192	18L BUCKET	1
15	206996	HOLE PLUG SET (NOT SHOWN	1
—	223128	BLUE DISC (NOT SHOWN)	1
—	223127	RED DISC (NOT SHOWN)	1
—	223138	DARK BLUE DISC (NOT SHOWN	1
—	223132	GREEN DISC (NOT SHOWN)	1
—	223133	YELLOW DISC (NOT SHOWN)	1
—	629444	70L BAGS X 10 (NOT SHOWN)	1 ROLL
—	629445	120L BAGS X 10 (NOT SHOWN)	1 ROLL

XC-1/2/3/4

