



GE
Lighting

21

kWh/1000h

A

energy class

77

lumens/watt

T8 Watt-Miser™ - G13 Cap
FT8/16W/860/GE/WM/SL1/25

62526



Product information

T8 Watt-Miser™ lamps are triphosphor fluorescent lamps with 26mm outer diameter for indoor applications. These new lamps offer significant energy savings versus standard T8 linear fluorescent lamps.

Application areas



Retail



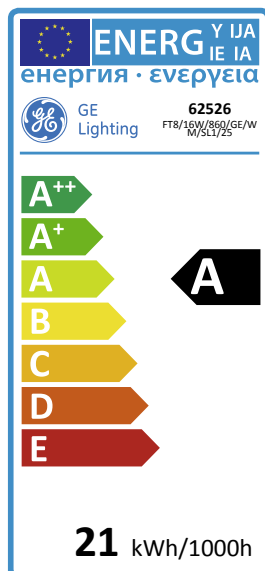
Office



Education



Industrial



Product data

Cap/Base	G13
Bulb Shape	Tubular
Bulb Diameter [mm]	26
Bulb maximum overall diameter [mm]	26
Cap to Cap Length (Max) [mm]	589.8
Net weight per piece [g]	90
Gross weight per piece [g]	110
Mercury Content [mg]	2.9
UV radiance	Exempt
Regulatory comment	EUP related
Brand	General Electric (GE)

Performance data

Colour Code	860
Colour Rendering Index (CRI) [Ra]	82
Nominal correlated colour temperature (CCT) [K]	6400
Nominal lumens [lm]	1230
Lumen at 25°C [lm]	1230
Rated efficacy [lm/W]	77
Energy efficiency class (EEC)	A
Rated Life [h]	15000
Rated median life on electromagnetic (EM) ballast on IEC 12-hour cycle	18000
Rated median life on electronic (HF) ballast on IEC 12-hour cycle	23000
Rated median life on electronic (HF) ballast on IEC 3-hour cycle	20000
Weighted energy consumption [kWh/1000h]	20.43

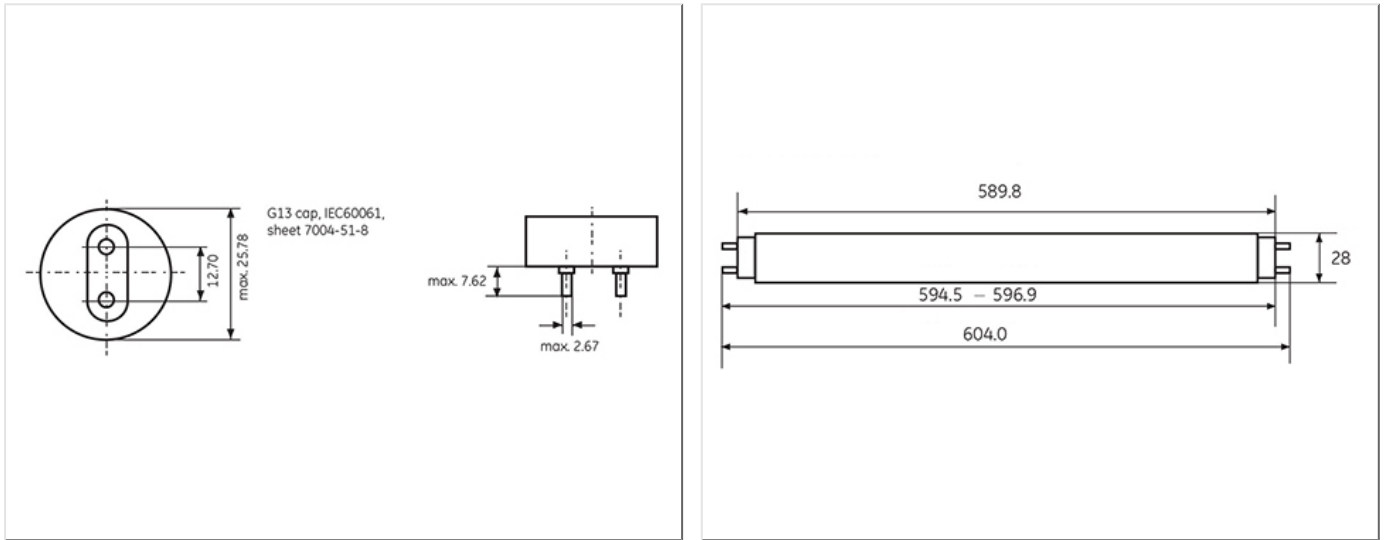
Electrical data

Nominal power [W]	16
Design Ambient Temperature [°C]	30
Design Lamp ambient temperature [°C]	30
Starting ambient temperature range	-15
Dimming Capability	Yes

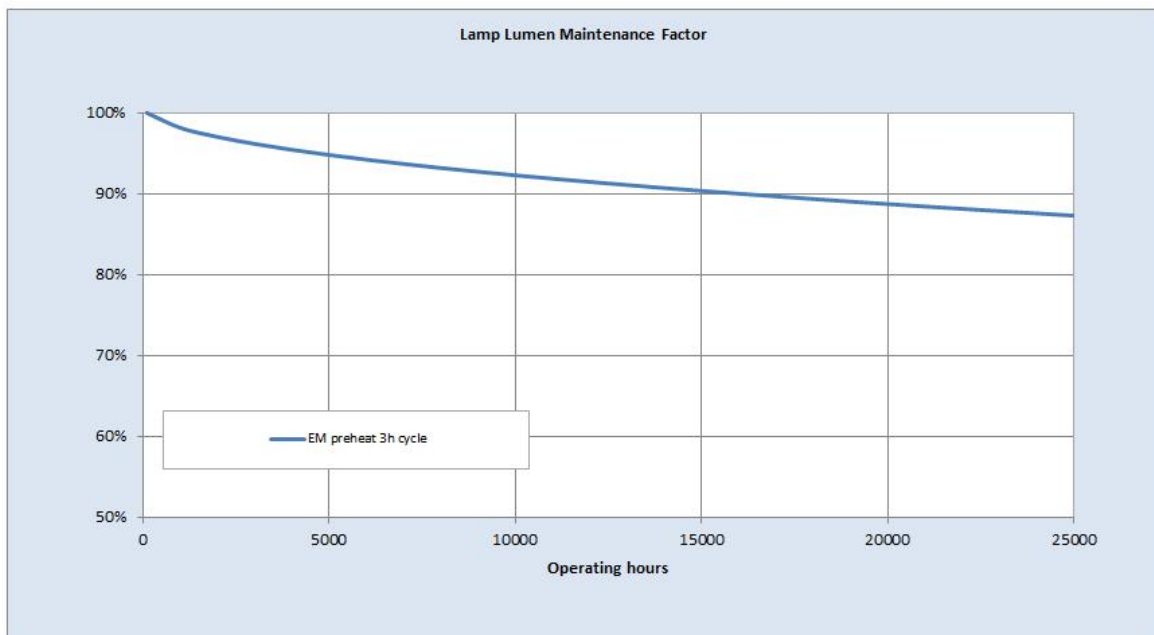
Logistic data

DUN Code	10043168625262
EAN Code	0043168736084
Pack Quantity	25
Inner pack type	SLEEVE
Outer pack type	OUTER BOX
Layer quantity	250 EUR, 300 UK
Layer quantity EUR	250
Layer quantity UK	300
Pallet quantity EUR (PC)	1500
Pallet quantity UK (PC)	1800
Outer case size	630 x 150 x 145 (mm)
Product status	Available

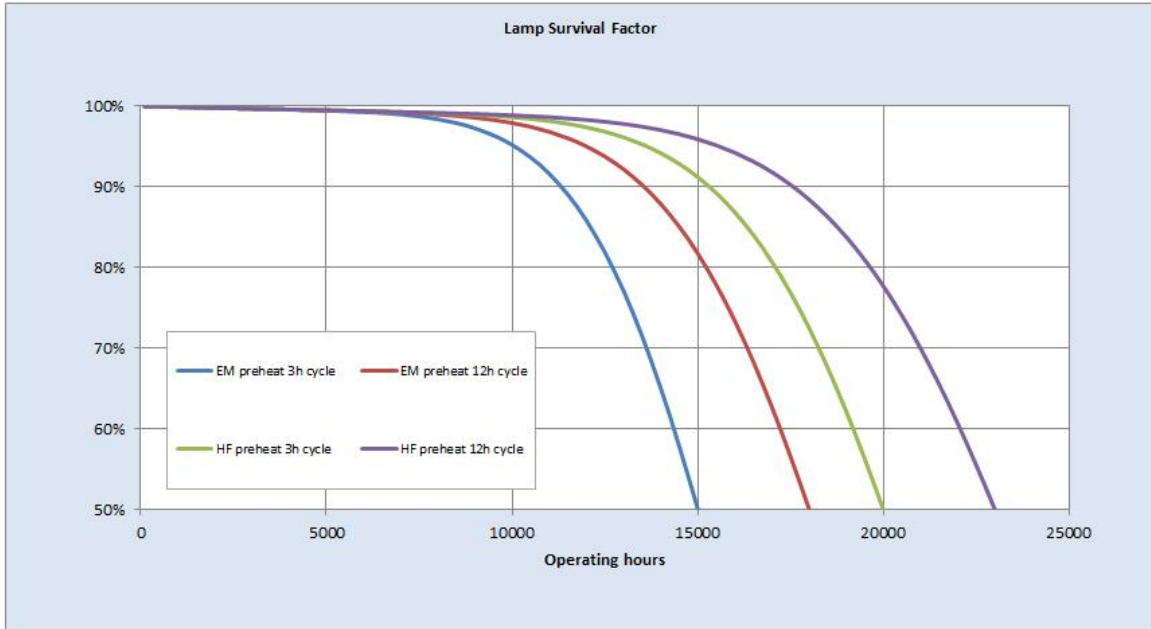
Technical drawing



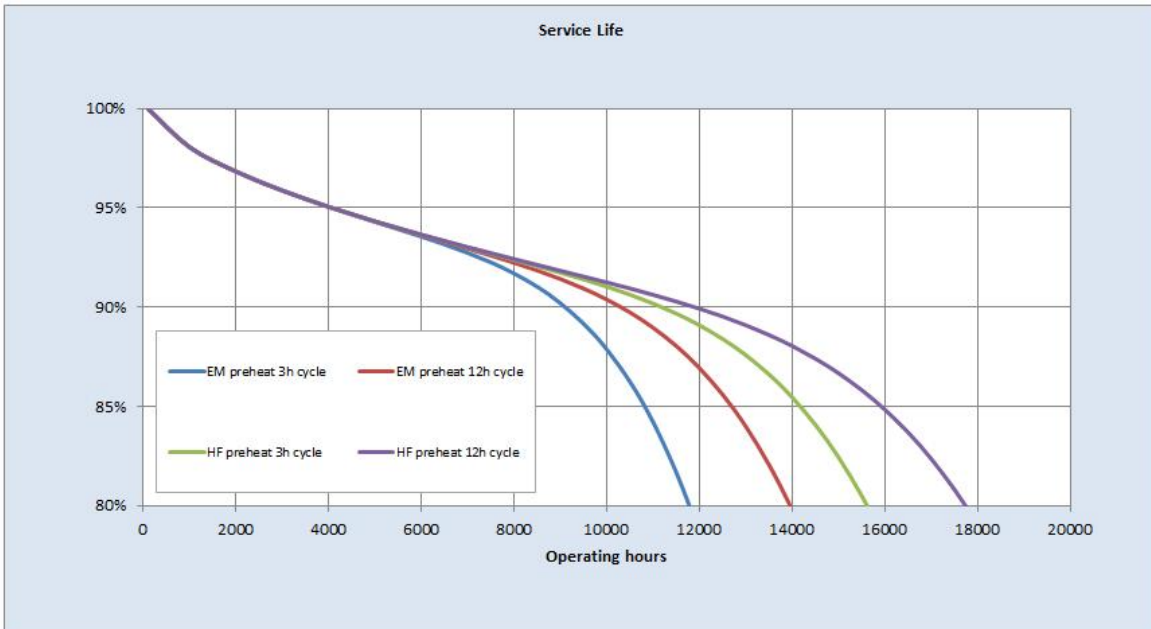
Lumen maintenance data



Survival data



Service life data



Downloads & Links

[Go to the catalog site \(HTTP\)](#)

[Linear Fluorescent Lamps Catalogue \(PDF\)](#)

[Lighting design tools & calculators \(HTTP\)](#)

[High-res images / Technical drawings \(HTTP\)](#)

[Certificate for the Quality Management System of GE Lighting EMEA \(PDF\)](#)

[Certificate for the Environmental Management System of GE Lighting EMEA \(PDF\)](#)

Disclaimer

Lumen maintenance may vary for lamps with colour temperature $\geq 5000\text{K}$