



GE  
Lighting



43

kWh/1000h

A

energy class

93

lumens/watt

T8 Polylux XLR™ - G13 Cap  
FT8/36W/835/GE/SL1/25

**62532**

## Product information

Polylux XLR™ lamps should be the natural choice for all fluorescent lighting applications. The excellent colour reproduction flatters skin tones making people appear more natural, and makes merchandise appear more vibrant and colourful.

## Application areas



Retail



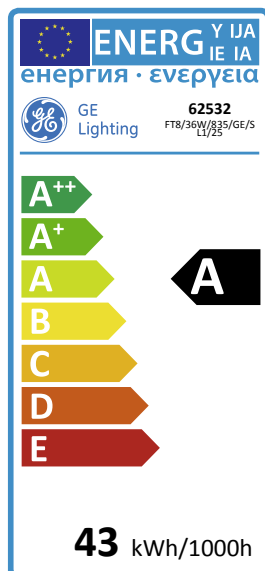
Office



Education



Industrial



## Product data

Cap/Base	G13
Bulb Shape	Tubular
Bulb Diameter [mm]	26
Bulb maximum overall diameter [mm]	26
Cap to Cap Length (Max) [mm]	1199.4
Net weight per piece [g]	185
Gross weight per piece [g]	214
Mercury Content [mg]	2.9
UV radiance	Exempt
Regulatory comment	EUP related
Brand	General Electric (GE)

## Performance data

Colour Code	835
Colour Rendering Index (CRI) [Ra]	82
Nominal correlated colour temperature (CCT) [K]	3500
Nominal lumens [lm]	3350
Lumen at 25°C [lm]	3350
Rated efficacy [lm/W]	93
Energy efficiency class (EEC)	A
Rated Life [h]	15000
Rated median life on electromagnetic (EM) ballast on IEC 12-hour cycle	18000
Rated median life on electronic (HF) ballast on IEC 12-hour cycle	23000
Rated median life on electronic (HF) ballast on IEC 3-hour cycle	20000
Weighted energy consumption [kWh/1000h]	42.37

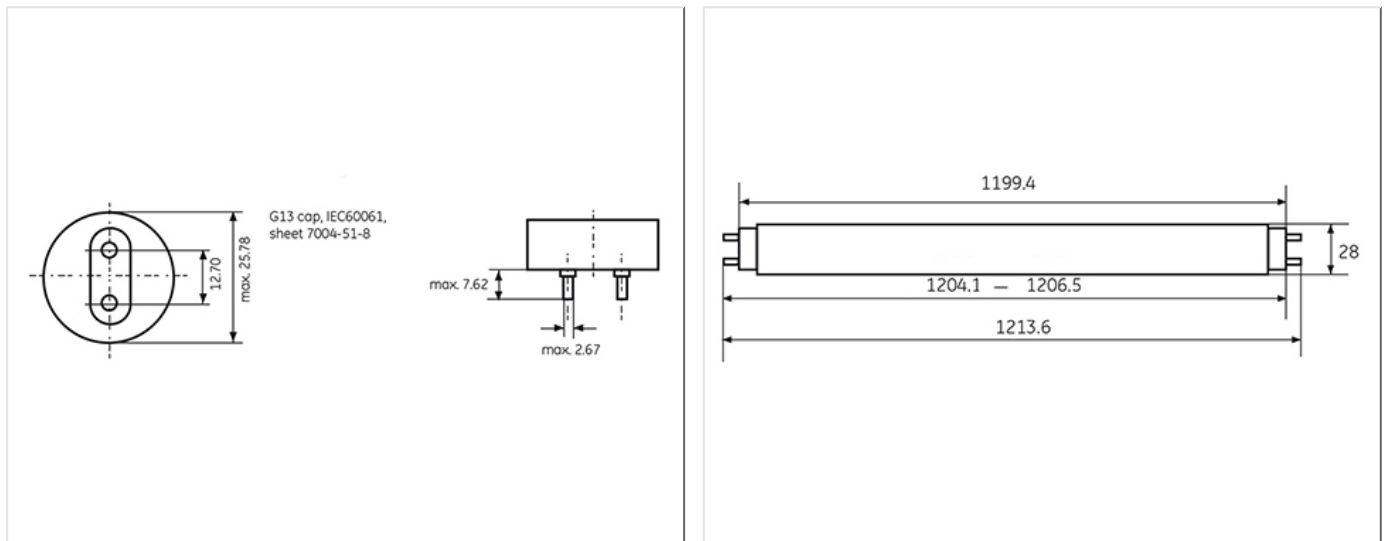
## Electrical data

Nominal power [W]	36
Design Ambient Temperature [°C]	25
Design Lamp ambient temperature [°C]	25
Starting ambient temperature range	-15
Dimming Capability	Yes

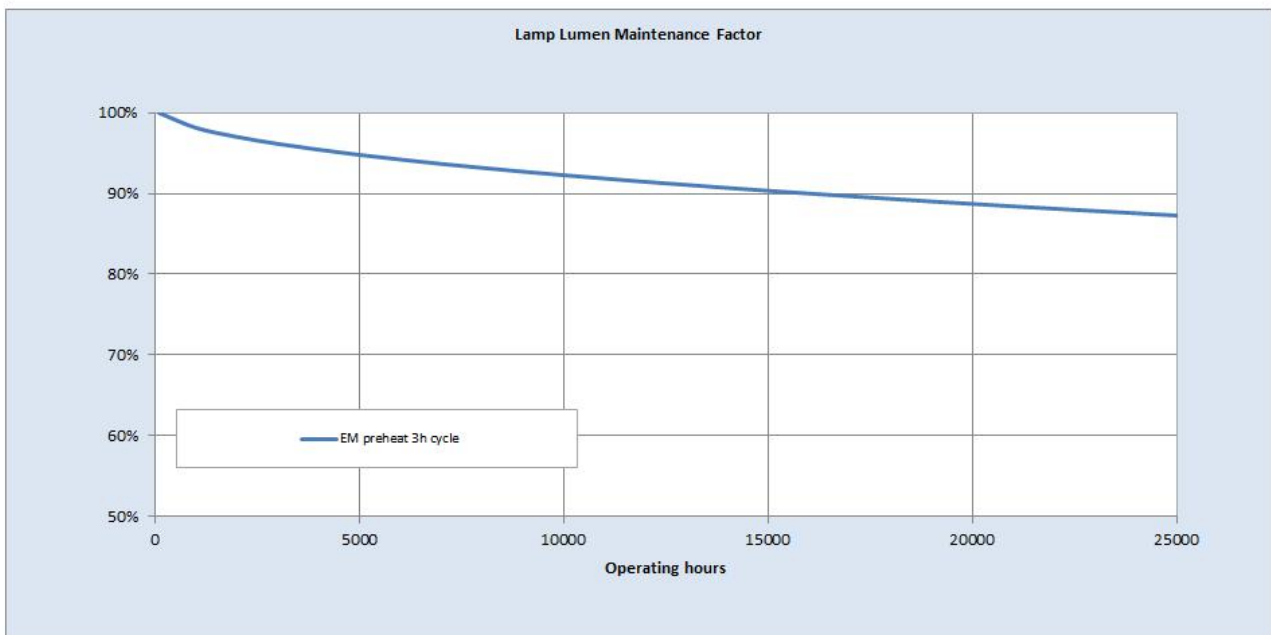
## Logistic data

DUN Code	10043168625323
EAN Code	0043168199919
Pack Quantity	25
Inner pack type	SLEEVE
Outer pack type	OUTER BOX
Layer quantity	125 EUR, 150 UK
Layer quantity EUR	125
Layer quantity UK	150
Pallet quantity EUR (PC)	750
Pallet quantity UK (PC)	900
Outer case size	1230 x 145 x 150 (mm)
Product status	Available

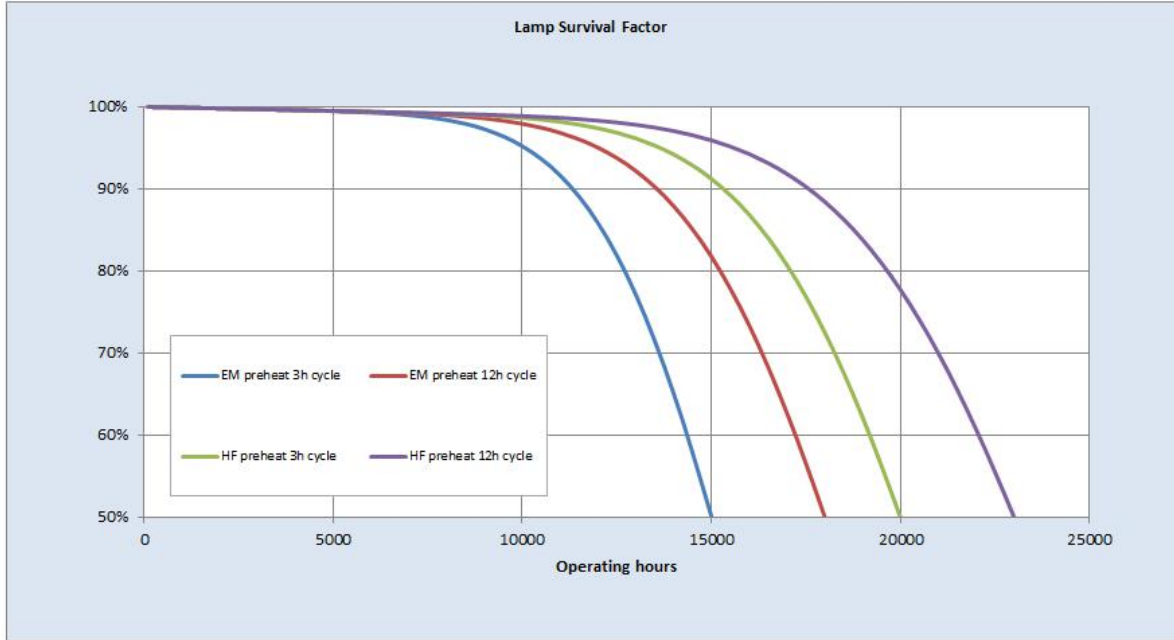
## Technical drawing



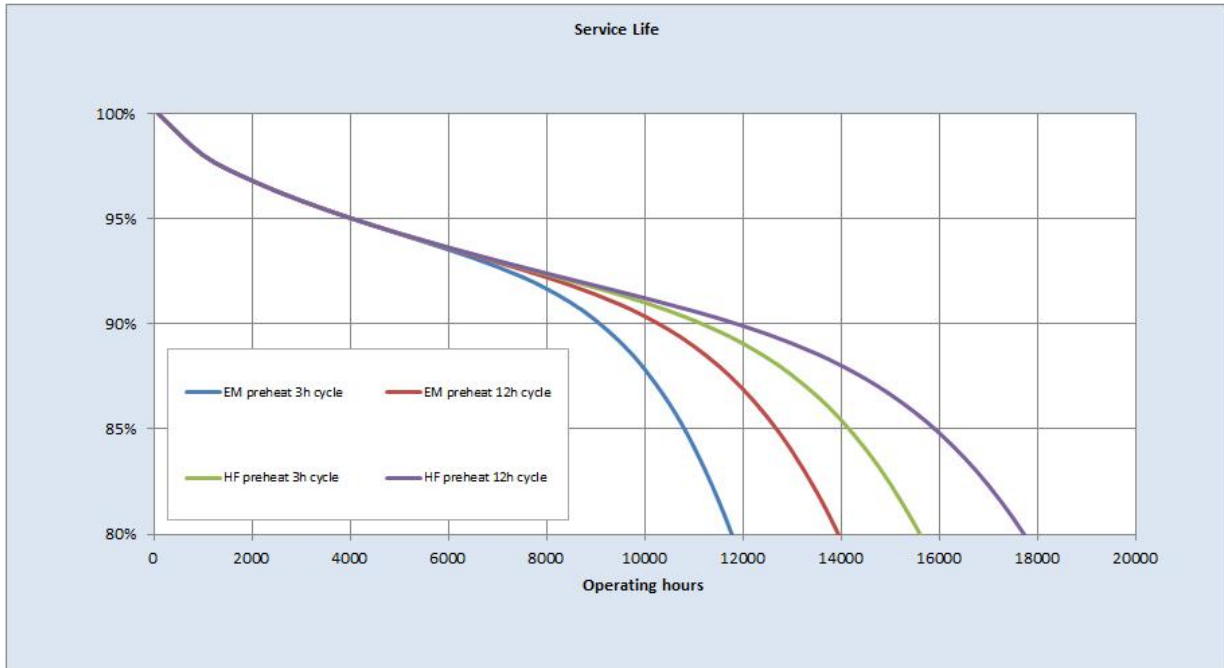
## Lumen maintenance data



## Survival data



## Service life data



## Downloads & Links

[Go to the catalog site \(HTTP\)](#)

[Linear Fluorescent Lamps Catalogue \(PDF\)](#)

[Lighting design tools & calculators \(HTTP\)](#)

[High-res images / Technical drawings \(HTTP\)](#)

[Certificate for the Quality Management System of GE Lighting EMEA \(PDF\)](#)

[Certificate for the Environmental Management System of GE Lighting EMEA \(PDF\)](#)