

## ISO **chrome**



### DESCRIPTION

#### **Seat and backrest**

- soft upholstered seat and backrest

#### **Frame**

- chromium plated or powder coated metal frame

#### **Other**

- Link-linking chairs in a rows by means of a plastic covers on a chair's legs
- basket assembled under the seat
- stacking - max 12 pieces

### FINISHES

#### **METAL ELEMENTS (chrome/alu/black)**



CHROME

ALU

BLACK

## CONTRACT



YN079 YN204 YN200 YN210 YN206 YN009 YN202

**Composition:** 100% polyester

**Weight:** 320 g/m<sup>2</sup>

**Abrasion Resistance:** 100 000 Martindale cycles

**Flammability:** EN 1021-1, EN 1021-2, BS 7176 low hazard, BS 7176 medium hazard, BS 5852 Crib 5, NF P 503 M1,

DIN 4102 B1, UNI 9174 Classe 1

**Other:** Recycled EU Flower Certified

## MICROFIBRA



CM35 CM43 CM59

**Composition:** 83% polyester, 17% cotton

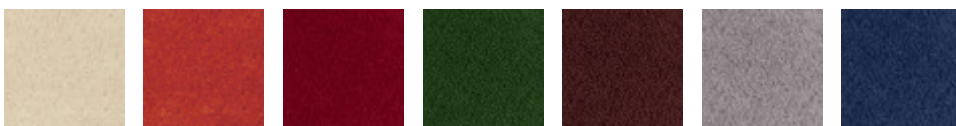
**Weight:** 355 g/m<sup>2</sup>

**Abrasion Resistance:** 100 000 Martindale cycles

**Flammability:** EN 1021-1, EN 1021-2

**Other:** Zero Spot - protective layer against dirt, stains & water

## MICRO



M56 M04 M81 M07 M54 M47 M62



M43 M15 M38 M12 M25 M28 M31

**Composition:** 100% polyester

**Weight:** 160 g/m<sup>2</sup>

**Abrasion Resistance:** 50 000 Martindale cycles

**Flammability:** EN 1021-1, EN 1021-2

**Other:**

EN 71-1 safety of toys (mechanical and physical properties)

EN 71-2 safety of toys (flammability)

EN 71-3 safety of toys (migration of certain elements)

## LEATHER IMITATION V



**Composition:** 100% polyester PVC coated

**Weight:** 460 g/m<sup>2</sup>

**Abrasion Resistance:**  $\geq 30\,000$  Martindale cycles

**Flammability:** the selected colours (marked as N) are fire resistant according to EN 1021-1, EN 1021-2, BS 5852-1

**Other:** easy to keep clean

## OBAN



**Composition:** 100% polypropylene

**Weight:** 230 g/m<sup>2</sup>

**Abrasion Resistance:** grade A tested in accordance with EN 14465:2003

**Flammability:** EN 1021-1

**Other:** hygienic certificate by National Hygiene Institute in Poland

## LUCIA



**Composition:** 100% polyester

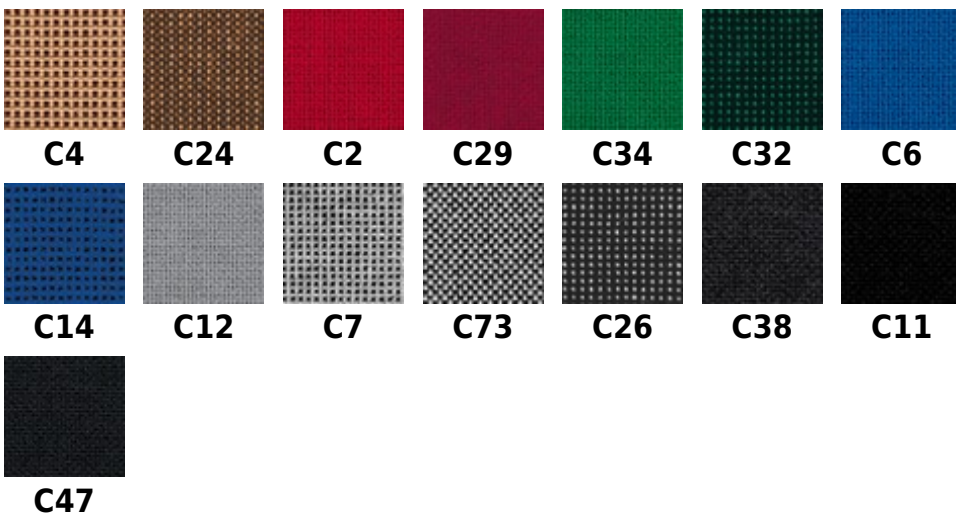
**Weight:** 260g/m<sup>2</sup>

**Abrasion Resistance:** 50 000 Martindale cycles

**Flammability:** EN 1021-1, EN 1021-2, BS 7176 low hazard, BS 476 Class 1

**Other:** Recycled EU Flower Certified

### BASIC FABRIC C



**Composition:** 100% synthetic fibre

**Weight:** 225 g/m<sup>2</sup>

**Abrasion Resistance:** >=35 000 Martindale cycles

### BONDAI



**Composition:** 100% polyester

**Weight:** 250 g/m<sup>2</sup>

**Abrasion Resistance:** 150 000 Martindale cycles

**Flammability:** EN 1021-1, EN 1021-2, BS 7176 medium hazard, BS 5852 Crib 5

## KAIMAN



**Composition:** upper layer: 100% polyurethane  
bottom layer: 70% polyester, 30% cotton

**Weight:** 435 g/m<sup>2</sup>

**Abrasion Resistance:** 100 000 Martindale cycles

**Flammability:** BS 5885 Source 0

**Other:** Hydrolisis (DIN EN ISO 32100 (DIN 53351) / DIN 53359) - 15 000 revs

## SEMPRE



**Composition:** 100% polyester

**Weight:** 366 g/m<sup>2</sup>

**Abrasion Resistance:** 160 000 Martindale cycles

**Flammability:** EN 1021-1, EN 1021-2

**Other:** hygienic certificate by National Hygiene Institute in Poland

## VALENCIA



**Composition:** upper layer: 100% vinyl, bottom layer: 100% polyester Hi-Loft

**Weight:** 650 g/m<sup>2</sup>

**Abrasion Resistance:** 300 000 Martindale cycles

**Flammability:** EN 1021-1, EN 1021-2, DIN 4102 B2, NF P 92-503 M2, Önorm B 3825, Önorm A 3800-1 Q1

**Other:** EN 71-3 Safety of toys (migration of certain elements)

PERMABLOK3® - superior antibacterial, antistain and antifungal protection

## XTREME



**Composition:** 100% polyester FR

**Weight:** 310 g/m<sup>2</sup>

**Abrasion Resistance:** 100 000 Martindale cycles

**Flammability:** EN 1021-1, EN 1021-2, BS 7176 low hazard, BS 7176 medium hazard, BS 5852 Crib 5, DIN 4102 B1, UNI 9174 Classe 1

## SILVERTEX



**Composition:** upper layer: 100% vinyl, bottom layer: 100% polyester Hi-Loft

**Weight:** 685 g/m<sup>2</sup>

**Abrasion Resistance:** 300 000 Martindale cycles

**Flammability:** EN 1021-1, EN 1021-2, DIN 4102 B1, NF P 92-503 M2, Önorm B 3825, Önorm A 3800-1 Q1

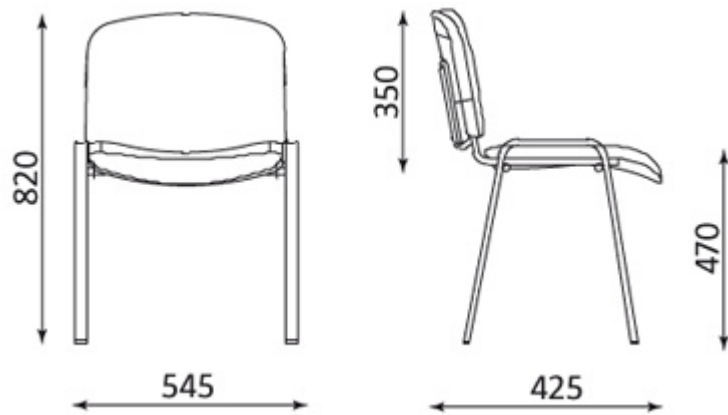
**Other:**

PERMABLOK3® - superior antibacterial, antistain and antifungal protection

SILVERGUARD® - natural environmentally friendly bacteria fighting defense to inhibit odour and stain causing bacteria (silver ion technology)

## DIMENSIONS

---



All rights reserved 2013 Nowy Styl Group

---

**CONTACT**

Nowy Styl Sp. z o.o.  
Pużaka 49  
38-400 Krosno  
Tel. +48 13 43 76 100  
Fax +48 13 43 62 732  
info@nowystylgroup.com

**Export Department**

Mięsowicza 6  
38-400 Krosno  
Poland  
Tel. +48 13 43 76 111  
export@nowystylgroup.com

**Marketing Department**

Warszawska 15  
32-086 Węgrzce  
Poland  
Tel. +48 12 63 98 602