



- Electrical height-adjustable column system
- Soft start-stop function
- Anti-collision system
- VESA 200x200 up to 800x600 display interface
- VESA 100 interface for PC mounting
- Cable management
- LINAK® lifting technology

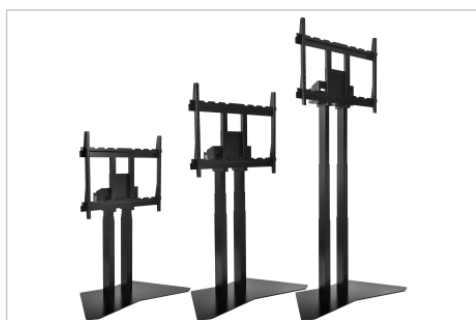
moTion freestanding column system

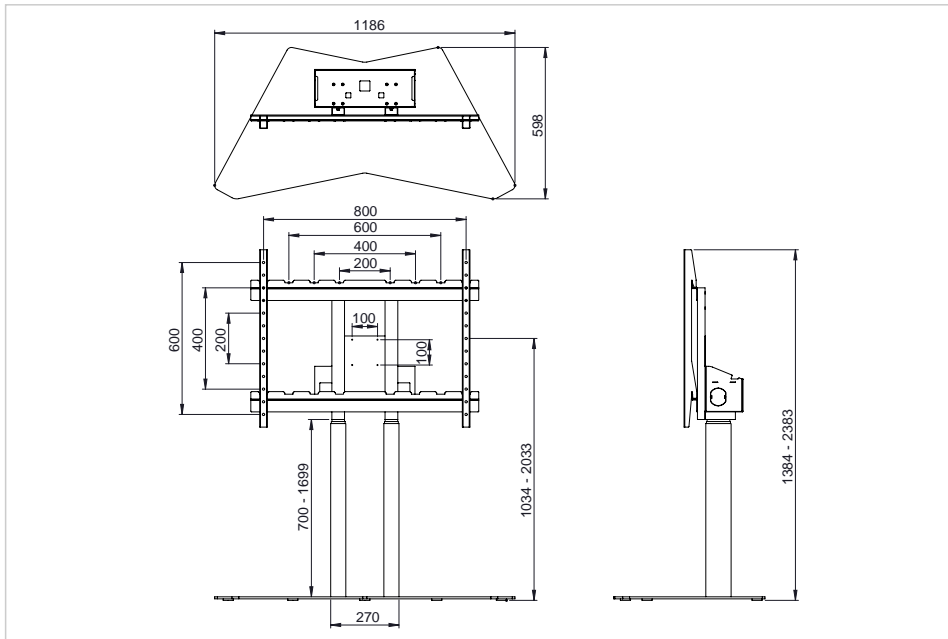
FCS-12XL

- Ergonomically designed, with the moTion freestanding stand you have the possibility to adjust the height of the screen to your own wishes
- The extra large floorplate enables freestanding placement of the touch monitor. Perfect for situations where mobile set-up is not necessary and where you don't want to mount a column system to a wall
- The stand comes largely preassembled and is very easy to mount (<10 minutes), while remaining easy to transport
- The built-in anti-collision system offers protection for persons and objects that might find themselves within the range of the moving screen
- High quality LINAK® lifting columns makes height adjustability fast and effortless
- The cable compartment hides messy cables and multi sockets resulting in a neat and tidy setup
- Contemporary design that fits perfectly in any modern office space or classroom
- Completely freestanding mounting solution

Art.No. **7-811321**

GTIN **8713797100595**





Specifications

Height adjustable	Yes
Total height (min/max)	1384 / 2383 mm
Total dimensions	900 x - x - mm
Mounting interface	VESA 200x200 up to VESA 800x600
Mounting interface accessories	VESA 100x100
Power / Sleep / Standby	200 / - / 0.1 W
Package contents	Mounting instruction, Mounting material, Control pad
Height adjustable range	999 mm
Screen height min. (center vesa mount)	1034 mm
Screen height max. (center vesa mount)	2033 mm
Maximum load height adjustable system	120.00 kg
Maximum screen weight	105.00 kg
Maximum screen size	98 "
Cable compartment	Yes
Anti-collision	Yes
Product warranty	2 Years

Logistics

GTIN	8713797100595
Article number	7-811321
Customs tariff number	940399109000
Quantity	1 piece(s)
Packing dimensions	1356 x 233 x 1567 mm
Weight (gross/net)	66.00 kg / 64.00 kg

Product overview

Article name	Article number	GTIN/EAN	Minimum order quantity
Legamaster moTion freestanding column system FCS-12XL	7-811321	8713797100595	1
Legamaster moTion freestanding column system fixed height	7-811641	8713797104845	1