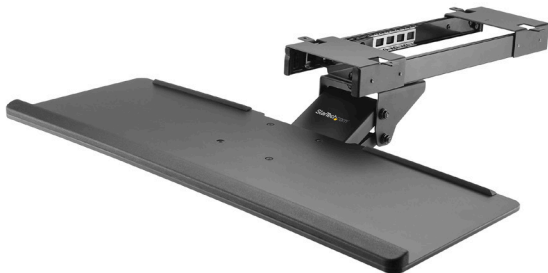


Adjustable Keyboard Tray - Under-Desk Mount

KBTRAYADJ



*actual product may vary from photos

FR: Guide de l'utilisateur - fr.startech.com

DE: Bedienungsanleitung - de.startech.com

ES: Guía del usuario - es.startech.com

NL: Gebruiksaanwijzing - nl.startech.com

PT: Guia do usuário - pt.startech.com

IT: Guida per l'uso - it.startech.com

For the latest information, technical specifications, and support for this product, please visit www.StarTech.com/KBTRAYADJ.

Use of Trademarks, Registered Trademarks, and other Protected Names and Symbols

This manual may make reference to trademarks, registered trademarks, and other protected names and/or symbols of third-party companies not related in any way to StarTech.com. Where they occur these references are for illustrative purposes only and do not represent an endorsement of a product or service by StarTech.com, or an endorsement of the product(s) to which this manual applies by the third-party company in question. Regardless of any direct acknowledgement elsewhere in the body of this document, StarTech.com hereby acknowledges that all trademarks, registered trademarks, service marks, and other protected names and/or symbols contained in this manual and related documents are the property of their respective holders.

Warning statements

Read the entire manual and make sure that you understand the instructions before you start to assemble and use this product.

Do not exceed the weight capacity of this product. Overloading this product might result in injury or property damage. This product can support the following weight: Up to 2 kg (4.4 lb).

Warnhinweise

Bevor Sie dieses Produkt montieren und verwenden, lesen Sie das gesamte Handbuch und vergewissern Sie sich, dass Sie die Anweisungen verstanden haben.

Überschreiten Sie nicht die Tragkraft dieses Produkts. Ein Überladen dieses Produkts kann zu Verletzungen oder zur Beschädigung des Produkts führen. Dieses Produkt ist für folgendes Gewicht geeignet: 2 kg.

Waarschuwingen

Lees de gehele handleiding en zorg dat u de instructies begrijpt voordat u dit product in elkaar zet en gebruikt.

Overschrijft de maximale capaciteit van dit product niet. Overbelasting van dit product kan letsel of materiële schade veroorzaken. Dit product ondersteunt het volgende gewicht: 2 kg.

Avertissements

Lisez tout le manuel et assurez-vous que vous comprenez les instructions avant de commencer à assembler et utiliser ce produit.

Né dépassez pas la capacité pondérale du produit. Une surcharge du produit peut entraîner des blessures ou des dommages matériels. Ce produit peut supporter de 2 kg.

Mensagens de aviso

Leia todo o manual e certifique-se de que entende as instruções antes de começar a montar e a utilizar este produto.

Não exceda a capacidade de peso deste produto. Sobrecarregar este produto pode resultar em ferimentos ou danos de propriedade. Este produto pode suportar o seguinte peso: 2 kg.

Dichiarazioni di avvertenza

Leggere l'intero manuale e assicurarsi di aver compreso tutte le istruzioni prima di iniziare ad assemblare e a utilizzare questo prodotto.

Non superare la capacità di carico del prodotto. Il sovraccarico del prodotto potrebbe causare danni o lesioni. Il prodotto è in grado di supportare i seguenti pesi: 2 kg.

Varningsmeddelanden

Läs hela manualen och se till att du förstår instruktionerna innan du börjar montera och använda produkten.

Överskrid inte produktens viktkapacitet. Överbelastning av produkten kan orsaka skada på person eller egendom. Denna produkt har stöd för följande vikter: 2 kg.

注意

最初に取扱説明書を最後まで読み、本製品の組み立て方をすべて理解してから組み立て作業を始めて下さい。

本製品で定められた最大積載重量を超えないようにして下さい。最大積載重量をオーバーした場合、怪我をする恐れや器物破損の恐れがあります。本製品は2kgまで支持できます。

Advertencias de uso

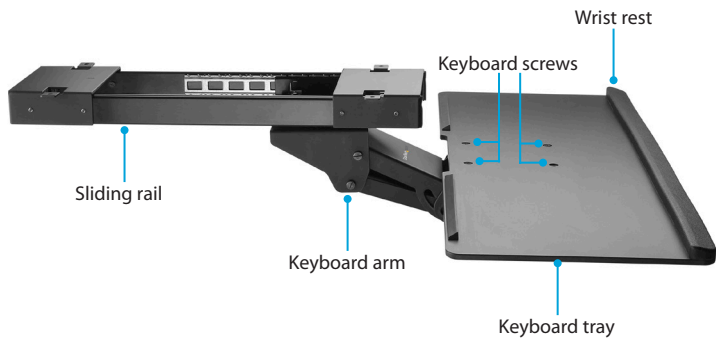
Lea todo el manual y asegúrese de haber comprendido bien las instrucciones antes de proceder con el ensamblaje y el uso de este producto.

Asegúrese de no exceder la capacidad de peso de este producto. La sobrecarga de este producto puede causar lesiones personales o daños en la propiedad. Este producto tiene la siguiente capacidad de carga: 2 kg.

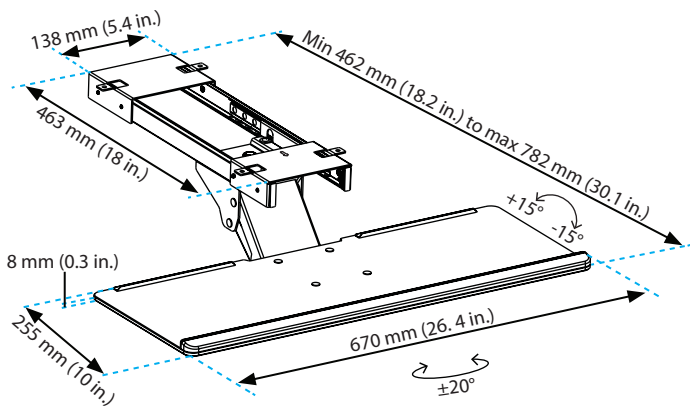
Table of Contents

Warnings	i
Product diagram	1
Product dimensions.....	2
Package contents	3
Requirements	4
Mark the mounting holes on the desk.....	5
Attach the keyboard arm	7
Attach the sliding rail to the desk	8
Attach the keyboard tray	9
Adjust the angle of the keyboard tray	11
Adjust the height of the keyboard tray	12
Move the keyboard tray in or out.....	13
Technical support.....	14
Warranty information	14

Product diagram



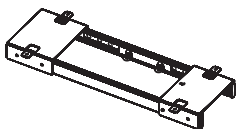
Product dimensions



Package contents



Keyboard tray
Qty: One



Sliding rail
Qty: One



Keyboard arm
Qty: One



Rail screws
Qty: Four



Tray screws
Qty: Four



Mounting screws
Qty: Four



Screw covers
Qty: Four



Rubber pads
Qty: Two



Instruction manual
Qty: One



Requirements

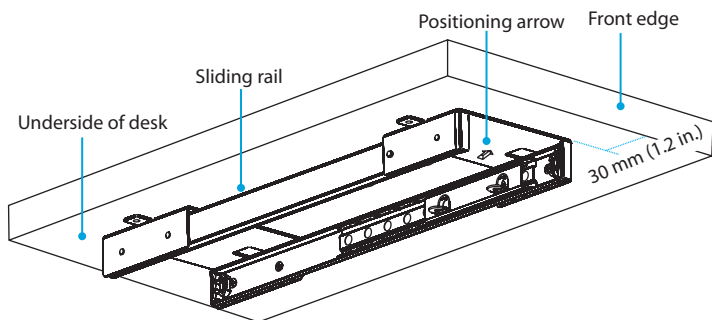
- Phillips type screwdriver
- Pen or pencil to mark the desk with
- Appropriate tools to make screw pilot holes in the desk

Requirements are subject to change. For the latest requirements, please visit www.StarTech.com/KBTRAYADJ.

Mark the mounting holes on the desk

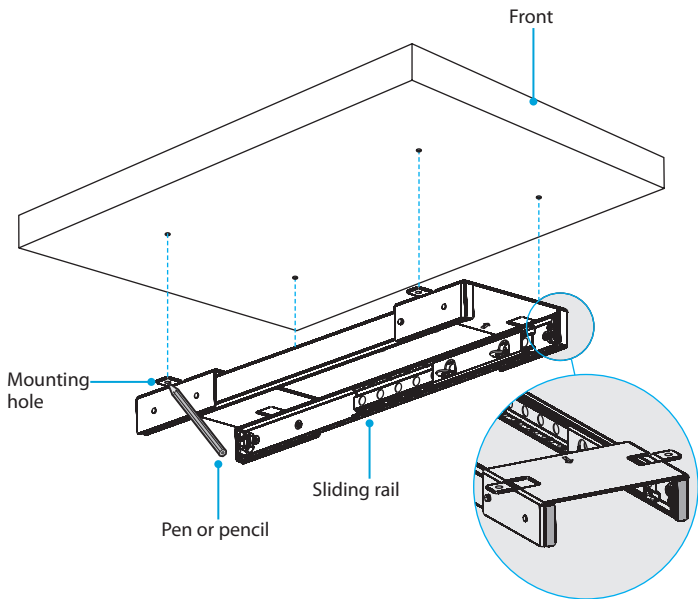
1. Position the sliding rail on the underside of your desk so that the arrow on the sliding rail is pointing towards the front of the desk.
2. Make sure that the front of the sliding rail is 30 mm (1.2 in.) from the front edge of the desk. (*figure 1*)

figure 1



3. Use the mounting holes on the sliding rail as a template and use a pen or pencil to trace the holes on the underside of the desk. (*figure 2*)
4. Use an appropriate tool for the material of the desk and make screw pilot holes in the marked areas on the underside of the desk.

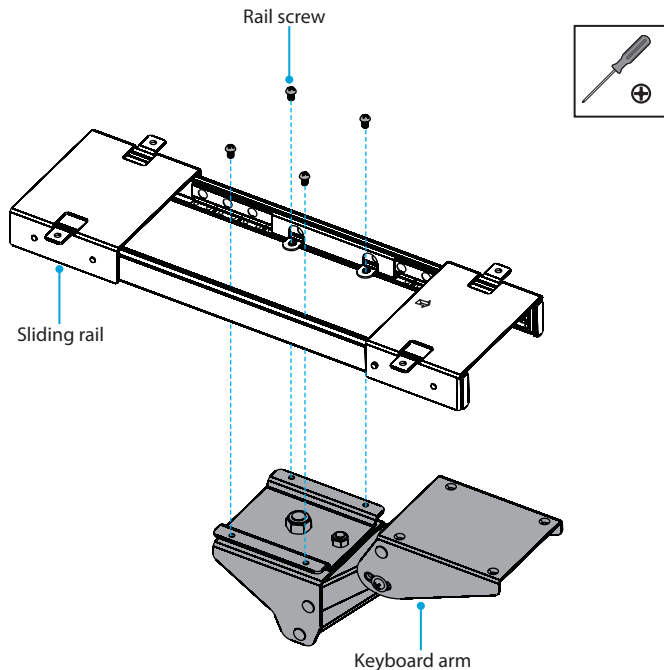
figure 2



Attach the keyboard arm

1. Line up the holes on the top of the keyboard arm with the holes in the projections on the inside of the sliding rail.
2. Insert the four rail screws through the holes in the sliding rail and into the keyboard arm.
3. Use a Phillips type screwdriver to tighten the screws. (figure 3)

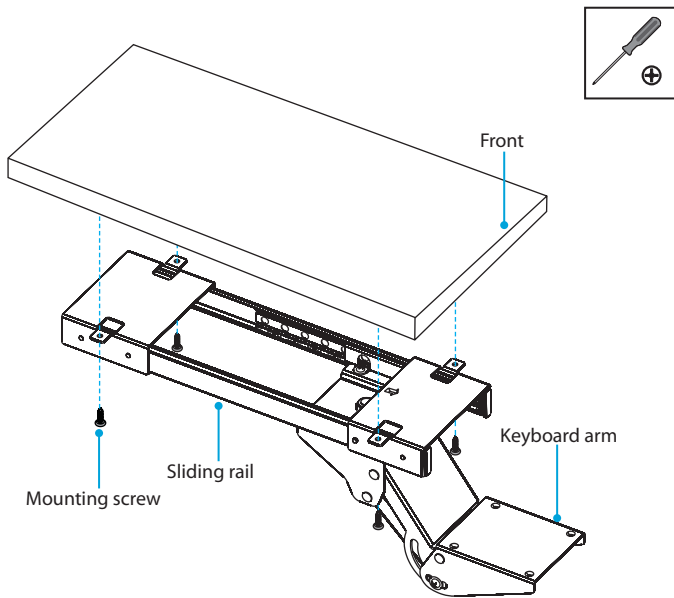
figure 3



Attach the sliding rail to the desk

1. Position the sliding rail on the underside of your desk so that the arrow on the sliding rail is pointing towards the front of the desk and the holes on the sliding rail are aligned with the pilot holes in the desk.
2. Insert the four mounting screws through the holes on the projections of the sliding rail and into the underside of the desk.
3. Use a Phillips type screwdriver to tighten the screws. (figure 4)

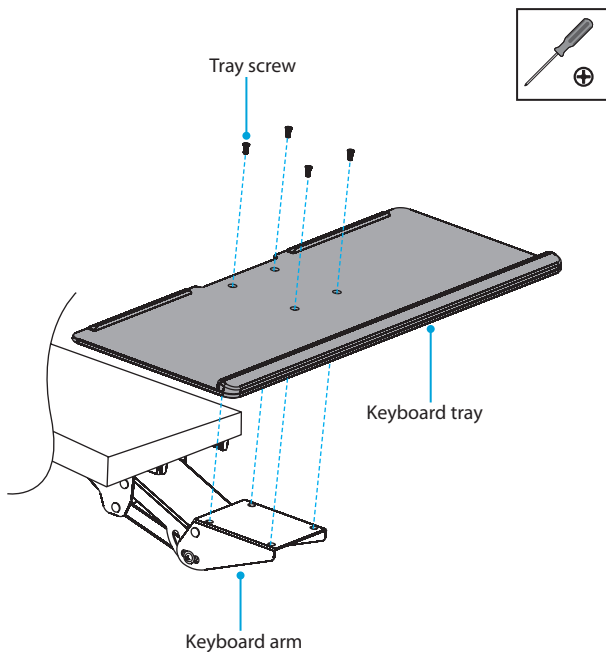
figure 4



Attach the keyboard tray

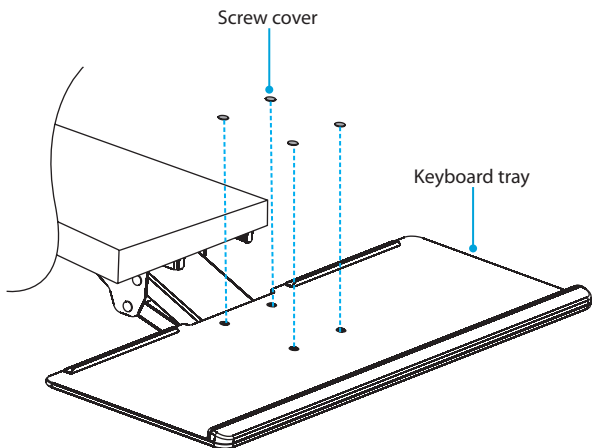
1. Line up the holes on the keyboard tray with the holes on the keyboard arm.
2. Insert the four tray screws through the keyboard tray and into the keyboard arm.
3. Use a Phillips type screwdriver to tighten the screws in place. (*figure 5*)

figure 5



4. Remove the adhesive backing from the four screw covers and affix them over the screws in the keyboard tray. (*figure 6*)
5. Remove the adhesive backing from the two rubber pads and affix them to the keyboard tray in the locations that work best for your setup.

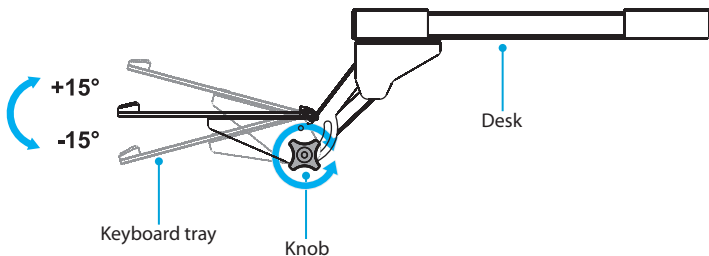
figure 6



Adjust the angle of the keyboard tray

1. To increase or decrease the angle of the keyboard tray, turn the knob on the side of the keyboard arm counterclockwise.
2. Adjust the keyboard tray to the desired angle.
3. To lock the angle of the keyboard tray, turn the knob on the side of the keyboard arm clockwise. (*figure 7*)

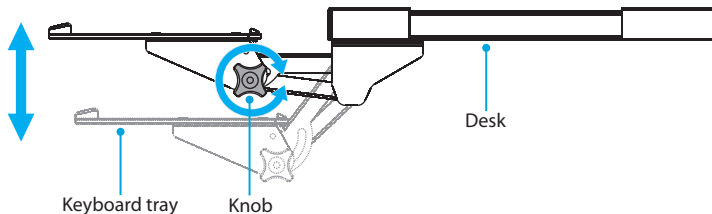
figure 7



Adjust the height of the keyboard tray

1. To increase or decrease the height of the keyboard tray, turn the knob on the side of the keyboard arm counterclockwise.
2. Move the keyboard tray to the desired height.
3. To lock the height of the keyboard tray, turn the knob on the side of the keyboard arm clockwise. (*figure 8*)

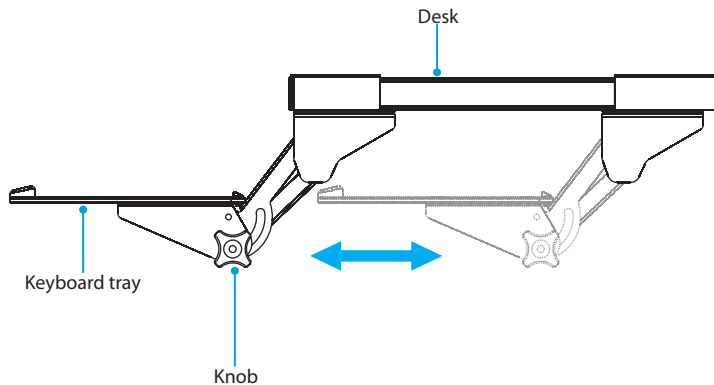
figure 8



Move the keyboard tray in or out

- To move the keyboard tray in or out from the desk, pull or push the keyboard tray to the desired location. (figure 9)

figure 9



Technical support

StarTech.com's lifetime technical support is an integral part of our commitment to provide industry-leading solutions. If you ever need help with your product, visit www.startech.com/support and access our comprehensive selection of online tools, documentation, and downloads.

For the latest drivers/software, please visit www.startech.com/downloads

Warranty information

This product is backed by a two-year warranty.

StarTech.com warrants its products against defects in materials and workmanship for the periods noted, following the initial date of purchase. During this period, the products may be returned for repair, or replacement with equivalent products at our discretion. The warranty covers parts and labor costs only. StarTech.com does not warrant its products from defects or damages arising from misuse, abuse, alteration, or normal wear and tear.

Limitation of liability

In no event shall the liability of StarTech.com Ltd. and StarTech.com USA LLP (or their officers, directors, employees or agents) for any damages (whether direct or indirect, special, punitive, incidental, consequential, or otherwise), loss of profits, loss of business, or any pecuniary loss, arising out of or related to the use of the product exceed the actual price paid for the product. Some states do not allow the exclusion or limitation of incidental or consequential damages. If such laws apply, the limitations or exclusions contained in this statement may not apply to you.

Hard-to-find made easy. At StarTech.com, that isn't a slogan. It's a promise.

StarTech.com is your one-stop source for every connectivity part you need. From the latest technology to legacy products — and all the parts that bridge the old and new — we can help you find the parts that connect your solutions.

We make it easy to locate the parts, and we quickly deliver them wherever they need to go. Just talk to one of our tech advisors or visit our website. You'll be connected to the products you need in no time.

Visit www.startech.com for complete information on all StarTech.com products and to access exclusive resources and time-saving tools.

StarTech.com is an ISO 9001 Registered manufacturer of connectivity and technology parts. StarTech.com was founded in 1985 and has operations in the United States, Canada, the United Kingdom and Taiwan servicing a worldwide market.