

# Smart Wire-Free Security Camera

2K  
QHD

Tapo C425

TC85

 Up to 300-Day Battery Life<sup>Δ</sup>

Free Person/Pet/  
Vehicle Detection

Full-Color  
Night Vision

Adjustable  
Magnetic Base



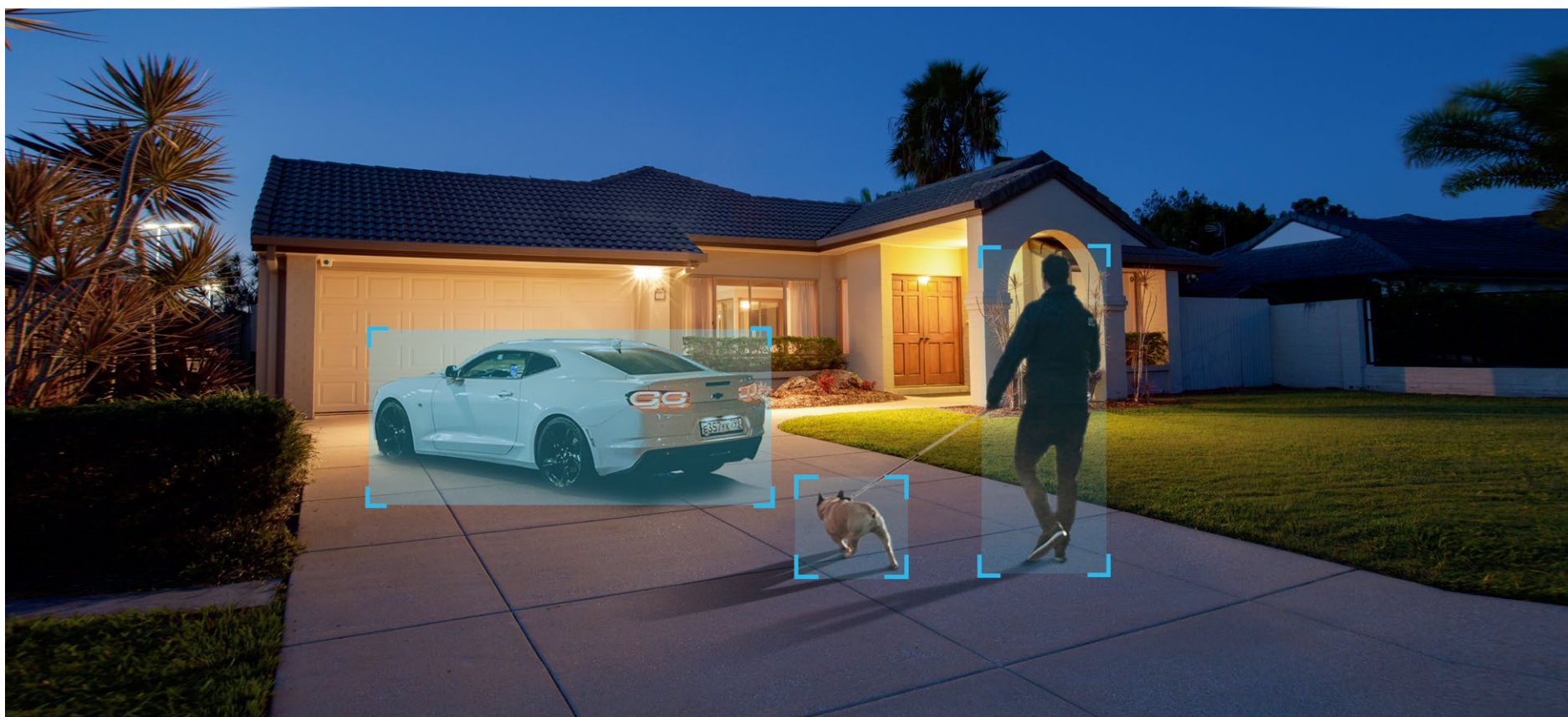
works with | 

 works with  
Google Home

## // Highlights

### Free Person/Pet/Vehicle Detection

Smart AI accurately identifies people, pets, and vehicles, reducing false alerts and unnecessary notifications, which also extends battery life.



## // Features



### 2K QHD Live View

Now with 1.7× more pixels than 1080p, providing clearer videos and more crisp photos.



### Adjustable Magnetic Base

Thanks to a magnetic base, effortlessly place and rotate your camera at any angle, without needing to screw it into the bracket.



### Local<sup>†</sup> and Cloud<sup>‡</sup> Storage

Save recorded video on a microSD card (up to 512 GB)<sup>†</sup>, no subscription required. Cloud storage<sup>‡</sup> is also supported for flexibility.



### Full-Color Night Vision

Enhances your security by revealing vivid colors with built-in spotlights and starlight sensor.



### 150° Super-Wide FOV (Diagonal)

Expands your visual coverage and ensures you to keep an eye on more vital areas.



### Customizable Sound and Light Alarm

Record your own audio as an alarm and adjust the brightness of dual spotlights for your customized use.



### Rechargeable Battery

The built-in rechargeable battery leads to a long-lasting life (up to 300 days)<sup>Δ</sup>, extending your usage.



### Activity Zones

Set customized detection areas to only let what matters alert you.



### IP66 Weatherproof

Performs well even in harsh environments with rain and dust, ideal for indoor/outdoor scenarios.

## // Specifications

<b>Camera</b>	<b>Image Sensor</b>	1/3" Progressive Scan CMOS Starlight Sensor
	<b>Lens</b>	Focal Length: 2.1 mm Aperture: F2.1 Field of View: 150° (Diagonal), 134° (Horizontal), 77° (Vertical)
	<b>Night Vision</b>	850 nm IR LED (49 ft / 15 m) Color Night Vision
	<b>Day/Night Switch</b>	IR Mode / Full-Color Mode
	<b>Lighting</b>	2× Spotlights (4× Built-in LEDs)
	<b>Interface &amp; Button</b>	1× POWER Button 1× RESET Button 1× microSD Card Slot (Up to 512 GB)
<b>Video &amp; Audio</b>	<b>Maximum Resolution</b>	2K QHD 4MP (2560 × 1440 px)
	<b>Frame Rate</b>	15/20/(25/30)fps*
	<b>Video Compression</b>	H.264
	<b>Live View</b>	Yes
	<b>Image Enhancement</b>	3D DNR WDR
	<b>Audio Input &amp; Output</b>	Built-in Microphone and Speaker
	<b>Audio Communication</b>	Two-Way Audio with Noise Cancellation
	<b>Siren Volume</b>	94 dB (Level measured at 4-inch/10-cm distance)

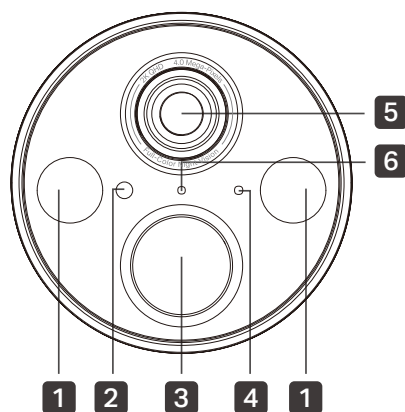
<b>Storage</b>	<b>Local Storage</b>	microSD Card Slot on Camera (Up to 512 GB)
	<b>Cloud Storage</b>	Tapo Care Cloud Storage Services (Subscription required)
<b>Detection &amp; Notification</b>	<b>Sensor</b>	Single Motion Sensor (FOV: 130° horizontal) Single Ambient Light Sensors
	<b>Detection</b>	Motion Detection Person Detection Pet Detection Vehicle Detection
	<b>Activity Zones</b>	Yes
	<b>Output Notification</b>	System Notification System Notification with Snapshot (Tapo Care Services) System Notification with Clips (Tapo Care Services)
<b>Network</b>	<b>Network Connectivity</b>	Connect via Wi-Fi
	<b>Wireless Connectivity</b>	IEEE 802.11b/g/n, 2.4 GHz Wi-Fi
	<b>Transmission Rate</b>	11b: 11 Mbps 11g: 54 Mbps 11n: 72.2 Mbps
	<b>Protocol</b>	TCP/IP, ICMP, DNS, HTTPS, TCP, UDP
<b>Security</b>	<b>Security</b>	128-bit AES Encryption with SSL/TLS WPA/WPA2-PSK

<b>Power</b>	<b>Power Source</b>	Built-in Rechargeable Lithium-ion Battery Optional Solar Panel: Tapo A201 (Sold separately), Tapo A200 (Sold separately)
	<b>Input Voltage</b>	Adapter Input: 100-240 V, 50/60 Hz
	<b>Output Voltage</b>	Adapter Output: 5.0 V, 2.0 A
	<b>Power Cord Length</b>	USB Adapter Cable Length: 0.5 m (19.68 in.)
	<b>Typical Power Consumption</b>	Camera Typical Power Consumption: 1.19 W
	<b>Maximum Power Consumption</b>	Camera Max Power Consumption: 2.09 W
<b>General</b>	<b>Certifications</b>	CE, FCC, RoHS, RCM, IP66
	<b>Smart Integration</b>	Google Assistant, Amazon Alexa
	<b>Weather Resistance</b>	IP66
	<b>Mounting Options</b>	Tabletop Ceiling-Mounted Wall-Mounted
	<b>Operating Temperature</b>	-20°C ~ 45°C (-4 °F ~ 113 °F )
	<b>Storage Temperature</b>	-40°C ~ 60°C (-40 °F ~ 140 °F )
	<b>Operating Humidity</b>	10%~90% RH, Non-condensing

<b>General</b>	<b>Storage Humidity</b>	5%~90% RH, Non-condensing
	<b>Charging Temperature</b>	0°C ~ 45°C (32 °F ~ 113 °F )
	<b>Dimensions</b>	Camera Dimensions: 4.57 × 2.55 × 2.55 in. (116.2 × 64.8 × 64.8 mm)
	<b>Weight</b>	Camera Weight: 11.82 oz / 335 g Magnetic Base Weight: 2.68 oz / 76 g
	<b>Package Contents</b>	<ul style="list-style-type: none"> <li>Tapo C425 Camera x1</li> <li>USB Adapter x1</li> <li>USB Adapter Cable x1</li> <li>Mounting Template x1</li> <li>Magnetic Base x1</li> <li>Mounting Screws x2</li> <li>Mounting Anchors x2</li> <li>Metal Plate x1</li> <li>3M Adhesive x1</li> <li>Quick Start Guide</li> </ul>

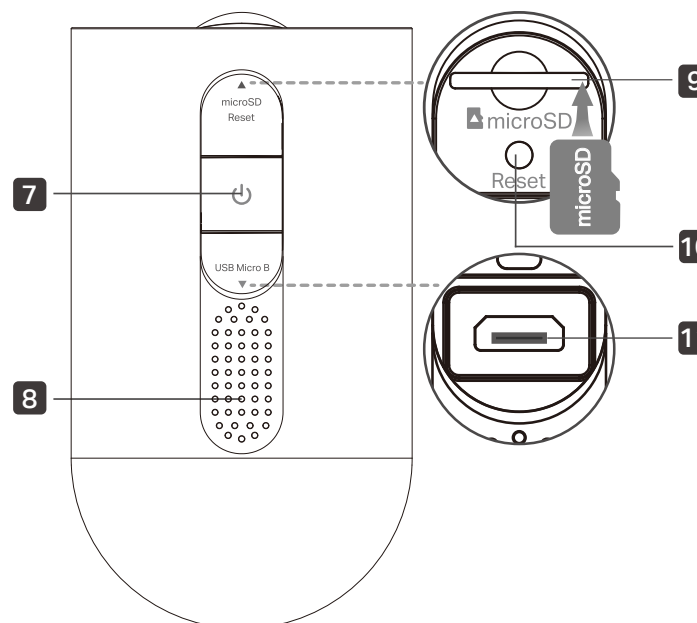
## // Appearance

Front



- 1** Spotlights
- 2** Light Sensor
- 3** Motion Sensor
- 4** Microphone
- 5** Lens
- 6** Status LED

Side



- 7** **Power Button** Press and hold for about 3 seconds to turn on/off the camera.
- 8** **Speaker**
- 9** **microSD Card Slot**  
Open the cover. Insert a microSD card\* and initialize it on the Tapo app for local recording.  
\*microSD card not included.
- 10** **Reset Button**  
Open the cover. Use a pin to press and hold for at least 5 seconds to reset the camera to factory default settings.
- 11** **USB Micro B Charging Port**  
Open the cover for USB charging.

\*Frame rate varies at different frequencies. Frame Rate is up to 25fps at 50Hz and 30fps at 60Hz.

†microSD card needs to be purchased separately. Actual storage capacity depends on the size of the microSD card used.

††Subscribe for cloud storage at <https://www.tapo.com/tapocare/>

‡The time of use includes recording and watching live views. Actual battery life may vary due to device settings, usage, router specifications, and environmental factors.

\*\*Tapo solar panel purchased separately. Actual experience may vary due to placement angle, weather conditions, and camera usage.

For more information, please visit <https://www.tapo.com/>

All brands and product names are trademarks or registered trademarks of their respective holders. Specifications are subject to change without notice.