

CL25-540BL1

NEOMOUNTS BY NEWSTAR PROJECTOR

SPECIFICATIONS

GENERAL

Min. weight	0 kg (per screen)
Max. weight	35 kg (per screen)

FUNCTIONALITY

Height adjustment	60,5-90,5 cm
Tilt (degrees)	+20°, -20°
Swivel (degrees)	+8°, -8°
Rotate (degrees)	+180°, -180°
Height	90,5 cm
Width	47 cm
Depth	47 cm
Adjustment type	Manual

INFORMATION

Color	Black
Main material	Steel
Warranty	5 year
EAN code	8717371449131

*Please note: The inch sizes stated are just an indication, combined with the weight and VESA sizes. The maximum weight and VESA size are absolute restrictions for the products and should not be exceeded.



Neomounts by Newstar CL25-540BL1 universal projector ceiling mount, height adjustable (60,5-90,5 cm) - Black

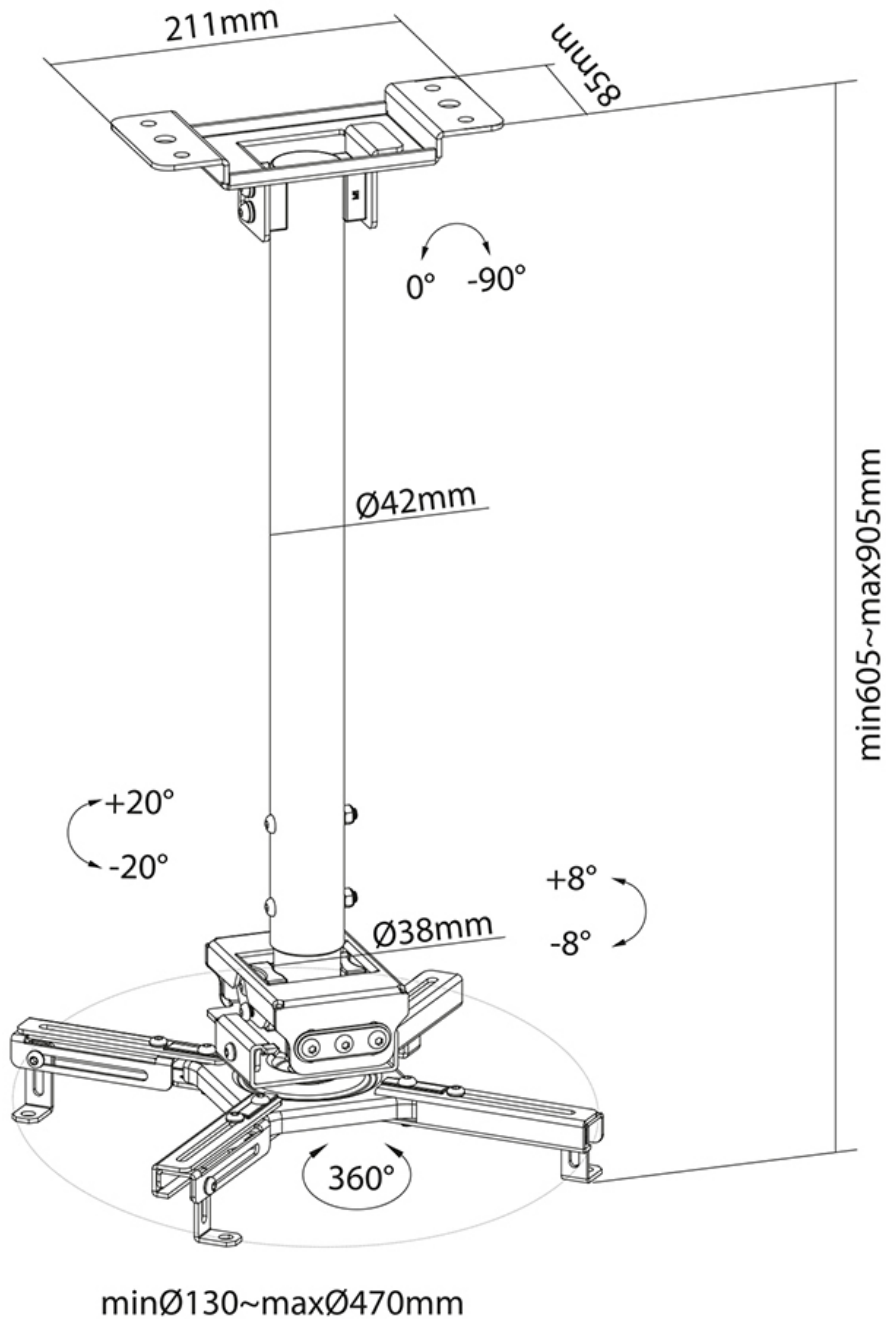
The Neomounts by Newstar CL25-540BL1 is a universal projector ceiling mount. Because of the high weight capacity up to 35 kg and the various adjustment options, this projector ceiling mount is widely applicable. The CL25-540BL1 has four extendable arms and the versatile tilt (+20°, -20°), rotate (360°) and swivel (+8°, -8°) technology, provides optimal placement of the projection on any canvas, screen or wall. The support is also adjustable in height from 60,5 to 90,5 cm.

The Neomounts by Newstar CL25-540BL1 is equipped with an Easy-release system, which highly eases installation; (de)installation of the projector to the projector mount can be done in an instant and by only one person. In addition, the round pole allows easy installation to a suspended ceiling. Finally, the pole of the Neomounts by Newstar projector mount can be tilted on the ceiling side, so that installation against a sloped ceiling is effortless. The fixation of the mount itself is sturdy and firm, therefore vibration free.

The cable management system of the CL25-540BL1 ensures the cables are neatly concealed, because they are routed through the pole of the projector ceiling mount.

CL25-540BL1

NEOMOUNTS BY NEWSTAR PROJECTOR



Neomounts