

ESA763PU



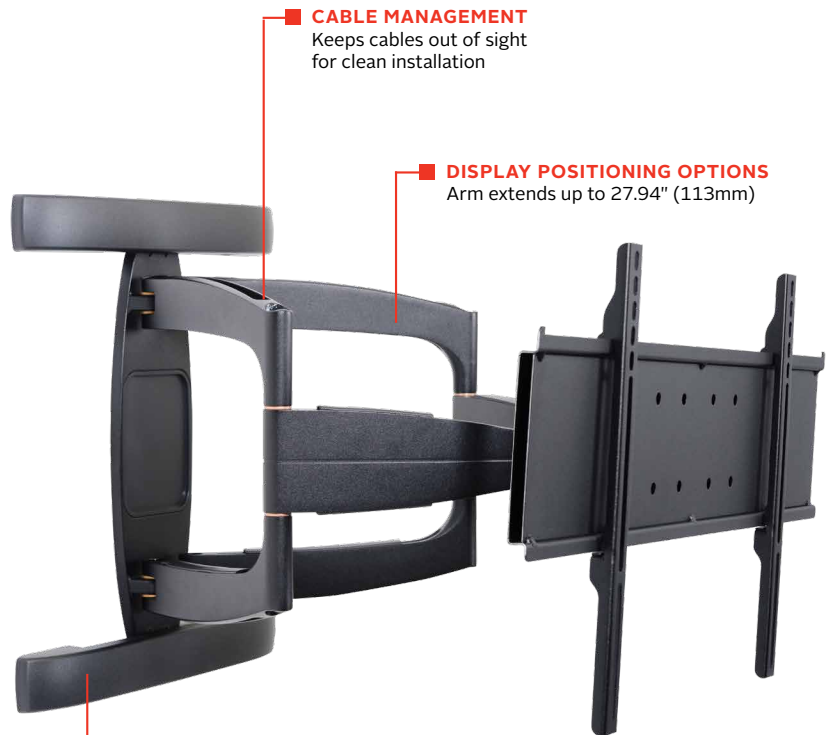
	<b>Mounting Pattern</b> Up to 730 x 405mm (28.74" x 15.94")		<b>Max load</b> 200lb (91kg)
---	---	---	------------------------------------

# Outdoor Articulating Wall Mount

FOR 32" TO 80" INDOOR OR OUTDOOR DISPLAYS

Peerless-AV's Outdoor Articulating Wall Mount is the ideal mounting solution for 32"-80" indoor or outdoor displays. The ESA763PU is specially coated with a protective anti-corrosive e-coating that repels against damaging temperature-related and outdoor corrosive elements. This all-season mounting solution is ideal for patios or decks, as well as installations in humid indoor areas like sun-rooms, locker rooms, bathrooms, car washes, indoor pools or water parks.

- Made of corrosion-resistant materials for weather resistance
- Fits displays with mounting patterns up to 730 x 405mm (28.74"W x 15.94"H) and up to 600 x 400mm VESA® compliant
- Dual arm construction for added strength and smooth motion on larger displays
- Universal model extends from 4.44" (113mm) to 27.94" (710mm) from the wall
- Minimalistic wall plate footprint for increased wall access and improved aesthetic
- Integrated cable management provides ample area to run cables to complete a professional and discrete installation
- IncreLok™ tilt allows adjustment of +15°/-5°
- Wood, concrete and cinder block mounting hardware included



**CABLE MANAGEMENT**  
Keeps cables out of sight for clean installation

**DISPLAY POSITIONING OPTIONS**  
Arm extends up to 27.94" (113mm)

**POST INSTALLATION HORIZONTAL ADJUSTABILITY**  
Double stud mounting option with 4.5" (114mm) of horizontal adjustment



RoHS

Please visit [peerless-av.com/en-us/patents](http://peerless-av.com/en-us/patents) for patent information.

✉ [info@peerless-av.com](mailto:info@peerless-av.com)

🌐 [peerless-av.com](http://peerless-av.com)

**peerless-AV®**  
Driving Technology Through Innovation

**ESA763PU** Outdoor Articulating Wall Mount for 32" to 80" Indoor or Outdoor Displays

**Product Specifications**

	DIMENSIONS (W x H x D)	PRODUCT WEIGHT	LOAD CAPACITY	FINISH	AVAILABLE COLORS
<b>ESA763PU</b>	30.75" x 19.92" x 4.44"-27.94" (781 x 506 x 113 - 710mm)	36.7lb (16.6kg)	200lb (91kg)	E-Coat Covered with Outdoor Powder Paint	Black

**Package Specifications**

	PACKAGE SIZE (W x H x D)	PACKAGE SHIP WEIGHT	PACKAGE UPC CODE	PACKAGE CONTENTS	UNITS IN PACKAGE
<b>ESA763PU</b>	37.75" x 21.25" x 5.63" (958 x 539 x 142mm)	42.7lb (19.4kg)	735029276050	Mount and Mounting Hardware	1

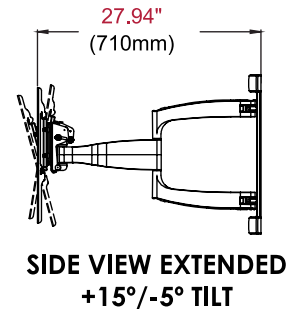
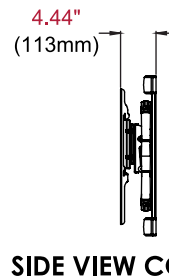
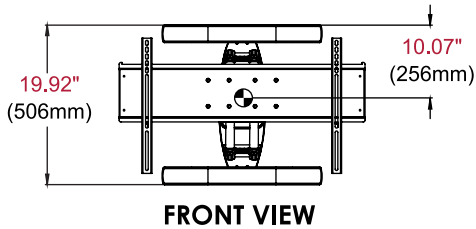
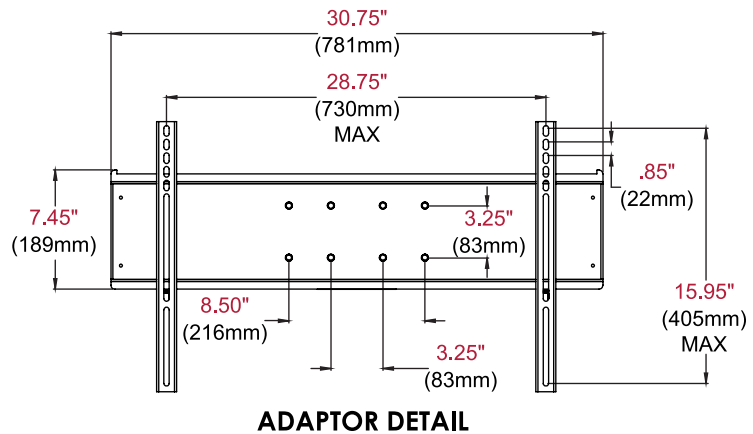
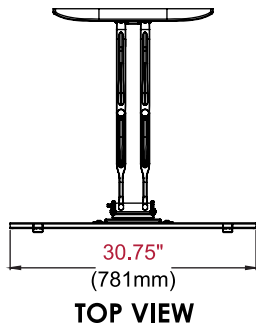
**Accessories**

**HDS-OWK-200:** Wireless Outdoor Kit  
**HDS-OWRE-200:** Wireless Outdoor Module

**Compatible with**

**CL models:** Xtreme™ Outdoor Displays  
**UV models:** UltraView™ Outdoor TVs

All dimensions = inch (mm)



**Architect Specifications**

The Outdoor Articulating Wall Mount shall be a Peerless-AV model ESA763PU and shall be located where indicated on the plans. Assembly and installation shall be done according to instructions provided by the manufacturer.

Visit [peerless-av.com](http://peerless-av.com) to see the complete line of AV solutions from Peerless-AV, including outdoor displays, wireless, kiosks, digital audio, display mounts, projector mounts, carts/stands, and a full assortment of accessories.

**Peerless-AV**  
 2300 White Oak Circle  
 Aurora, IL 60502 USA  
**(800) 865-2112**  
**(630) 375-5100**  
**Fax: (800) 359-6500**

**Peerless-AV EMEA**  
 Unit 3 Watford Interchange  
 Colonial Way, Watford  
 Herts, WD24 4WP  
 United Kingdom  
**+44 (0) 1923 200100**  
**Fax: +44 (0) 1923 200101**

**Peerless-AV Latin America**  
 Ave de las Industrias 413  
 Parque Industrial Escobedo  
 Escobedo, N.L.,  
 Mexico 66062  
**+52 (81) 8384-8300**  
**Fax: +52 (81) 8384-8360**

