



**Model Name** **MX842UST Digital Projector**

**Unique selling point** **Trade Mark**

- \* SmartEco Power Saving technology
- \* Blu-ray Full HD 3D Supported
- \* Up to 7000hours lamp life
- \* Wall mount bundle



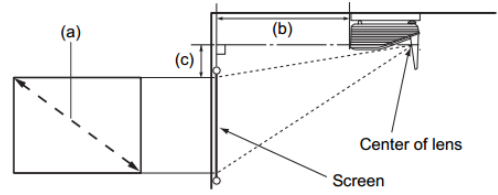
<b>Projection System</b>	DLP		
<b>Native Resolution</b>	XGA(1024*768)		
<b>Brightness</b>	3000AL		
<b>Contrast Ratio</b>	13,000:1		
<b>Display Color</b>	1.07 Billion Colors		
<b>Lens</b>	F=2.53,f=5.38		
<b>Aspect Ratio</b>	Native 4:3 (5 aspect ratio selectable)		
<b>Throw Ratio</b>	0.47		
<b>Image Size (Diagonal)</b>	60"~120"		
<b>Zoom Ratio</b>	Fix		
<b>Lamp Type</b>	240W		
<b>Lamp(Normal/Economic/SmartEco Mode)*</b>	3500/5000/7000 hours		
<b>Keystone Adjustment</b>	1D, Vertical +/- 15 degrees		
<b>Projection Offset</b>	153% ±5%		
<b>Resolution Support</b>	VGA(640 x 480) to UXGA(1600 x 1200)		
<b>Horizontal Frequency</b>	15~102KHz		
<b>Vertical Scan Rate</b>	23~120Hz		
<b>Compatibility</b>	HDTV Compatibility	480i, 480p, 576i, 576p, 720p, 1080i, 1080p	
	Video Compatibility	NTSC, PAL, SECAM	
<b>Interface</b>	Computer in (D-sub 15pin)	x 2(Shared with component)	
	Monitor out (D-sub 15pin)	x 1	
	Composite Video in (RCA)	x 1	
	S-Video in (Mini DIN 4pin)	x 1	
	HDMI	x 1	
	Audio in (Mini Jack)	x 2	
	Audio out (Mini Jack)	x 1	
	Audio L/R	x 1	
	Speaker	10W x 2	
	USB (Type mini B)	x 1 (FW download)	
	RJ45	x 1 (LAN control)	
	RS232 (DB-9pin)	x 1	
	IR Receiver	x 2	
<b>Dimensions</b>	Dimensions(W x H x D)	339*236.9*322.8mm	
	Weight	6.2KG(w/o wall mount)	
<b>Power</b>	Power Supply	AC100 to 240 V, 50 to 60 Hz	
	Power Consumption	typical 220W, network standby 10W, standby power <0.5W	
	Power Management Function	Automatic power off after 20 minutes without a display source	
<b>Audible Noise</b>	36/30 dBA (Normal/Economic mode)		
<b>On-Screen Display Languages</b>	Arabic/Bulgarian/ Croatian/ Czech/ Danish/ Dutch/ English/ Finnish/ French/ German/ Greek/ Hindi/ Hungarian/ Italian/ Indonesian/ Japanese/ Korean/ Norwegian/ Polish/ Portuguese/ Romanian/ Russian/ Simplified Chinese/Spanish/ Swedish/ Turkish/ Thai/ Traditional Chinese (28 Languages)		
<b>Picture Modes</b>	Dynamic/Presentation/sRGB/Cinema/(3D)/User 1/User 2		
<b>Accessories</b>	<b>Standard</b>	<b>Optional</b>	
	Remote Control w/ Battery	RCE012	Spare Lamp Kit 5JJCA05.001
	Power Cord (by region)	2.9M	Wall Mount WM04G41
	User Manual CD	*1	3D Glasses DGD24
	Quick Start Guide	*1	Document Camera S30
	Warranty Card (by region)	*1	
	VGA(D-sub 15pin) Cable	*1	
	Dust filter(C SKU)	*1	
	Wall mount kit (installation guide)	*1	

\*Lamp life results will vary depending on environmental conditions and usage. Actual product's features and specifications are subject to change without notice.

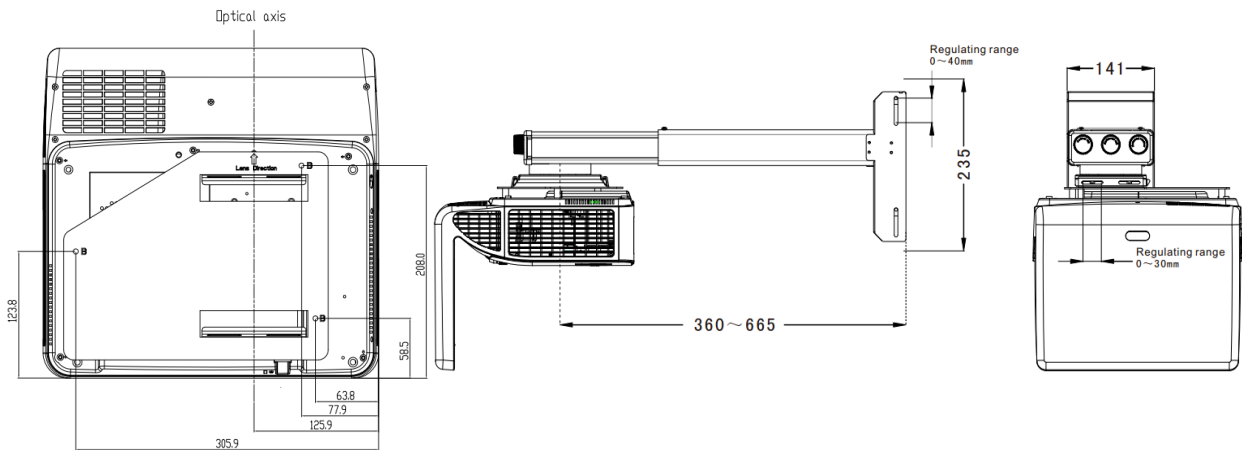
# MX842UST Digital Projector

## Distance Chart

(a) Screen size				(b) Distance from screen (mm)	(c) Vertical offset (mm)
Diagonal		Height (mm)	Width (mm)		
Inches	mm				
60	1524	914	1219	233	242
70	1778	1067	1422	328	283
80	2032	1219	1626	423	323
90	2286	1372	1829	518	363
100	2540	1524	2032	613	404
110	2794	1676	2235	708	444
120	3048	1829	2438	802	485



## Wall mount/Ceiling mount Chart



## Dimension



Unit: mm

