

# SMOKE ALARM

# First Alert®

CAT. **SA302B**



Intelligent Sensing  
Technology™

OptiPath 360™  
Technology

## PHOTO/ION SENSORS

Dual Photoelectric & Ionization sensing technologies for optimal sensing of smoke particles produced in both flaming and smoldering fires.

## IR REMOTE SILENCE

Point and click any remote control to silence unwanted alarms.

## SMART SENSING

Intelligent Sensing Technology™ helps reduce nuisance alarms.

## OPTIPATH 360 TECHNOLOGY™

Provides 360 degrees of direct access to the smoke sensing chambers.

## TWO LOCKING FEATURES

Pins are provided to lock battery drawer and/or alarm to base. Perfect for apartment, dormitory or hotel applications.

## EASY ACCESS BATTERY DRAWER

## 9V Battery Powered

### Description:

First Alert Model SA302 is a battery operated single station photoelectric and ionization dual sensor smoke alarm specifically designed for residential and institutional applications including sleeping rooms of hospitals, hotels, motels, dormitories, and other multifamily dwellings as defined in standard NFPA 101. Model SA302 has been fully tested and complies with, UL217, CSFM, NFPA 72, and NFPA 101 and other agencies that model their codes after the above agencies. It meets building codes where battery operated photoelectric and ionization dual sensor with Silence smoke alarms are required and with model building codes published by the ICC.

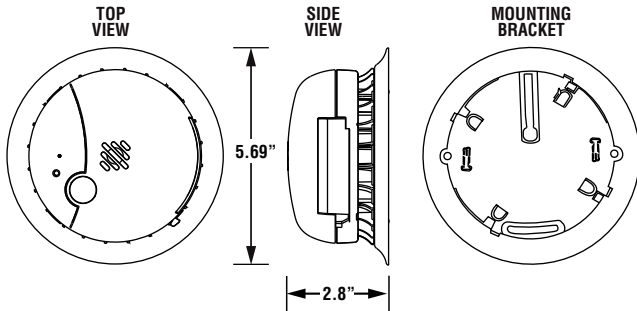
First Alert Model SA302 is a state of the art smoke alarm designed to provide early warning of a fire. It features two smoke sensing chambers, photoelectric and ionization, an 85dB horn, a supervised 9V alkaline battery power supply, a single button test/silence switch, a silence feature to silence unwanted nuisance alarms, a red LED light that indicates DC power or alarm. The alarm can also be silenced by using most Infrared (IR) remote controls. Optipath 360 technology™ provides 360 degrees of direct access to the smoke sensing chambers. It also features tamper resistant locking pins that lock the alarm to the mounting bracket and/or the battery drawer to prevent removal of battery. Battery installation and removal can occur while the unit is mounted to the ceiling or wall via the slide out battery drawer. When battery power drops to a pre-set warning level, the horn will “chirp” approximately once per minute to indicate a fresh battery is needed. Designed for wall or ceiling mounting. Includes mounting anchors and screws.



# CAT. SA302B



Intelligent Energy Technology  
Optipath 360™ Technology



## ARCHITECTURAL AND ENGINEERING SPEC

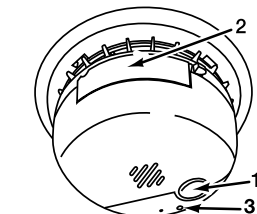
The smoke alarm shall be a First Alert Model SA302 and shall provide at a minimum the following features and functions:

1. Two sensing chambers - photoelectric and ionization.
2. The unit shall be capable of self restoring.
3. Fully screened sensing chambers to resist entry of small insects thereby reducing the probability of unwanted alarms.
4. Powered by a supervised 9V alkaline battery and a solid state piezo horn rated at 85dB at 10 ft.
5. A visual red LED power-on indicator to confirm unit is receiving power or is in alarm.
6. A full function test button should check all alarm functions by simulating a smoke condition, causing the unit to alarm.
7. An infrared remote (IR) feature to test and/or silence the alarm with most standard IR remote controls.
8. Two silence features - One to temporarily silence the low battery chirp for up to eight hours and one to silence unwanted nuisance alarms for several minutes.
9. Optipath 360 Technology - provides 360 degrees of direct access to the smoke sensing chambers.
10. Two Locking features - tamper resistant locking pins that lock battery drawer and/or alarm to mounting bracket.
11. The unit shall be capable of operating between 40°F (4°C) and 100°F (38°C) and relative humidity between 10% and 90%.
12. The unit shall contain mounting hardware and shall be listed for wall or ceiling mounting.
13. The unit shall at a minimum meet the requirements of UL217, CSFM, NFPA 72, NFPA 101, ICC.

## INSTALLATION OF ALARM

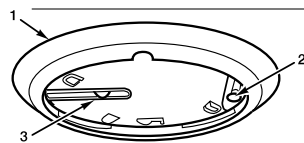
Installation of this smoke alarm must conform to NFPA 72. Always check your local building codes. Follow all instructions for placement as outlined in the user's manual.

### THE PARTS OF THIS SMOKE ALARM



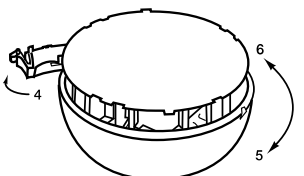
#### TOP OF ALARM

1. Test/Silence button
2. Swing-open battery drawer
3. Red Alarm Light



#### BOTTOM OF ALARM

1. Mounting bracket
2. Horizontal mounting slot (1 of 2)
3. Vertical mounting slot (2 of 2)
4. Battery Drawer - Install 9V battery here
5. Turn this way to remove from bracket
6. Turn this way to attach to bracket



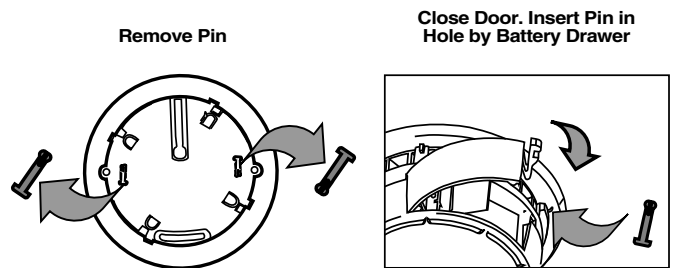
## TECHNICAL SPECS

|                          |   |
|--------------------------|---|
| Alarm Dimensions:        | 5.69" dia x 2.8"H   |
| Weight:                  | 9.5 oz.   |
| Operating Voltage:       | 9V Alkaline Battery Powered   |
| Temperature Range:       | 40°F (4°C) to 100°F (38°C)  |
| Humidity Range:          | 10% to 90% relative humidity (RH)                                   |
| Audio Alarm:             | 85dB at 10 feet   |
| Test/Silence:            | Electronically simulates smoke condition, causing the unit to alarm |
| Remote:                  | Use vol/chn buttons on most household IR remotes.                   |
| Manual:                  | Press and hold test/silence button                                  |
| Alarm Reset:             | Automatic when smoke clears   |
| Smoke Sensors:           | Sensor 1: Photoelectric; Sensor 2: Dual Ionization                  |
| Indicator Lights/Sounds: |   |
| DC Power:                | Intermittent Red Light  |
| Alarm:                   | Audio alarm, rapidly flashing red light                             |
| Listing:                 | Listed to UL217 Standard  |

## SHIPPING SPECS:

|                              |                              |
|------------------------------|------------------------------|
| Individual Carton Dimensions | 5.75 "L x 2.875"W x 5.83"H   |
| Weight                       | 0.72lbs.                     |
| Cube                         | 0.056 ft3                    |
| UPC                          | 0 29054 14200 9              |
| Master Carton Dimensions     | 12.063"L x 9.125"W x 6.563"H |
| Master Pack                  | 6                            |
| Weight                       | 4.78lbs.                     |
| Cube                         | 0.418 ft3                    |
| I2 of 5                      | 100 29054 14200 6            |
| Pallet Information           |                              |
| Cases per Layer              | 15                           |
| Number of Layers             | 7                            |
| Cases per Pallet             | 105                          |
| Units per Pallet             | 630                          |
| Cube                         | 56.6 ft3                     |
| Weight                       | 567 lbs.                     |

## BATTERY DRAWER LOCK



©2009 BRK Brands, Inc. a Jarden Corporation  
Company (NYSE: JAH)  
3901 Liberty Street Road  
Aurora, IL 60504-8122  
All rights reserved

First Alert is a registered trademark of the First Alert Trust  
BRK is a registered trademark of BRK Brands, Inc.  
CM2947